

90° ELBOW - PRESSED 1.5 CLR

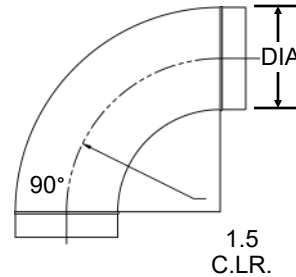
DIA	PART #	PRICE
3"	EL903HLR	\$18.60
4"	EL904HLR	\$19.96
5"	EL905HLR	\$22.67
6"	EL906HLR	\$25.64
7"	EL907HLR	\$37.31
8"	EL908HLR	\$38.64
9"	EL909HLR	\$55.06
10"	EL910HLR	\$56.16
12"	EL912HLR	\$68.28

90° Elbow Press Formed



PART NO. EL900HLR

AIR TIGHT



- Galvanized with male ends
- Long radius, 1.5 center line radius
- Airtight
- 24 Ga.
- Recommended for dust collection systems and other suction systems

90° ELBOW - SEGMENTED 1.5 CLR

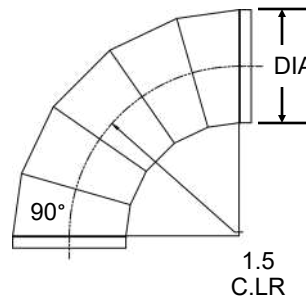
DIA	PART #	PRICE
14"	EL914HLR	\$107.52
16"	EL916HLR	\$124.92
18"	EL918HLR	\$142.01
20"	EL920HLR	\$186.74
22"	EL922HLR	\$195.43
24"	EL924HLR	\$218.59

90° Elbow Segmented



PART NO. EL900HLR

AIR TIGHT



- Galvanized with male ends
- Long Radius, 1.5 center line radius
- Airtight
- 22 Ga.
- Recommended for dust collection systems and other suction systems

45° ELBOW - PRESSED 1.5 CLR

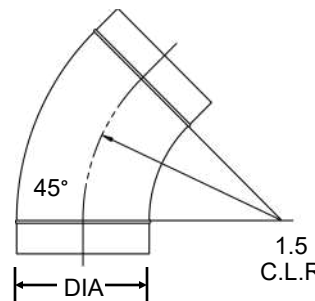
DIA	PART #	PRICE
3"	EL403HLR	\$14.88
4"	EL404HLR	\$15.96
5"	EL405HLR	\$18.13
6"	EL406HLR	\$20.52
7"	EL407HLR	\$29.84
8"	EL408HLR	\$30.91
9"	EL409HLR	\$44.04
10"	EL410HLR	\$44.93
12"	EL412HLR	\$54.62

45° Elbow Press Formed



PART NO. EL400HLR

AIR TIGHT



- Galvanized with male ends
- Long radius, 1.5 center line radius
- Airtight
- 24 Ga.
- Recommended for dust collection systems and other suction systems

45° ELBOW - SEGMENTED 1.5 CLR

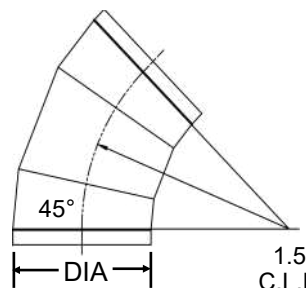
DIA	PART #	PRICE
14"	EL414HLR	\$85.92
16"	EL416HLR	\$99.94
18"	EL418HLR	\$113.60
20"	EL420HLR	\$149.40
22"	EL422HLR	\$156.35
24"	EL424HLR	\$174.88

45° Elbow Segmented



PART NO. EL400HLR

AIR TIGHT



- Galvanized with male ends
- Long radius, 1.5 center line radius
- Airtight
- 22 Ga.
- Recommended for dust collection systems and other suction systems

All fittings are female & undersized for slip-fit connection. Ex. 3" Dia = about 2-7/8" Dia