

PIPE HANGER

DIA	PART #	WT.	PRICE
3"	HR03	0.4	\$5.65
4"	HR04	0.5	\$5.65
5"	HR05	0.1	\$7.15
6"	HR06	0.5	\$7.15
7"	HR07	0.6	\$7.15
8"	HR08	0.7	\$8.58
9"	HR09	0.8	\$10.65
10"	HR10	0.9	\$11.15
11"	HR11	1.0	\$12.44
12"	HR12	1.0	\$12.44
14"	HR14	1.2	\$14.16
16"	HR16	1.4	\$18.38
18"	HR18	1.5	\$19.52
20"	HR20	1.8	\$21.38
22"	HR22	6.0	\$26.31
24"	HR24	6.0	\$30.10

Pipe Hanger


- 1 1/2" Wide, 14 gauge, galvanized construction
- Can be used as a single or double rod hanger (see illustration below)
- Threaded rod sold separately

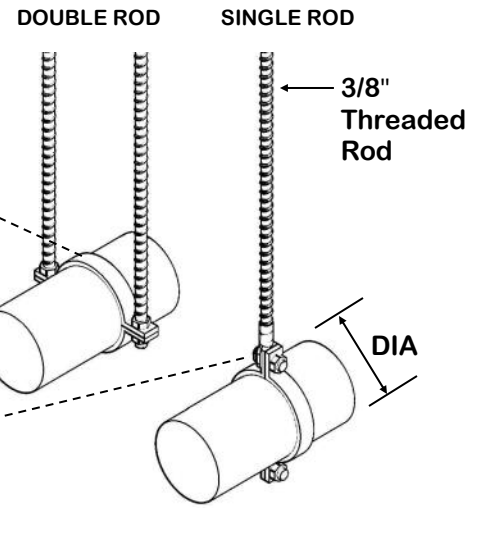
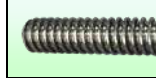
EYE COUPLING

DIA	PART #	WEIGHT	PRICE
3/8"	TREC38E	0.2	\$1.60

Eye Coupling

THREADED ROD - ZINC PLATED. GALV.

DIA	PART #	LENGTH	PRICE
3/8"	TR38Z5P	5'	\$5.00

Threaded Rod


3/8" Hangermate Screw available for wood and concrete. Part No. HM38WE -\$1.00 ea.

TEAR DROP HANGER

DIA	PART #	WT.	PRICE
3"	TDH03	0.3	\$12.83
4"	TDH04	0.4	\$12.83
5"	TDH05	0.5	\$13.12
6"	TDH06	0.6	\$13.38
7"	TDH07	0.7	\$14.54
8"	TDH08	0.8	\$15.00
9"	TDH09	0.9	\$15.56
10"	TDH10	1.0	\$16.16
11"	TDH11	1.1	\$16.70
12"	TDH12	1.2	\$16.98
14"	TDH14	1.4	\$20.30
16"	TDH16	1.6	\$20.90
18"	TDH18	2.0	\$23.72
20"	TDH20	3.0	\$29.87
22"	TDH22	6.0	\$32.40
24"	TDH24	6.0	\$36.91

Tear Drop Hanger


- 3" to 24", 14 gauge, galvanized construction
- Threaded rod sold separately

