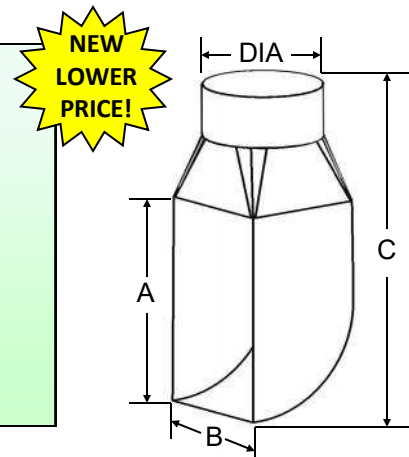


VERTICAL CAPTURE HOOD

DIA	PART #	A INCH	B INCH	C INCH	WT.	REG. PRICE	SALE PRICE
4"	AVH484	8	4	12.2	1.1	\$82.20	\$43.56
5"	AVH5105	10	5	14.2	1.5	\$87.00	\$47.92

- Great for capturing saw dust or fumes
- Effective in any position
- 24 ga. Galvanized steel construction
- New lower price



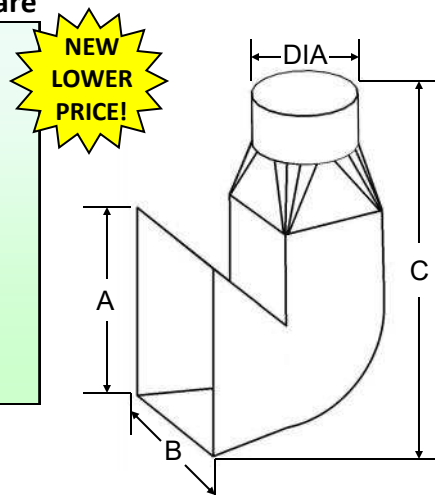
NEW LOWER PRICE!

VERTICAL CAPTURE HOOD WITH FRONT FLARE

DIA	PART #	A INCH	B INCH	C INCH	WT.	REG. PRICE	SALE PRICE
4"	ASGH04	7	6	11.0	1.7	\$189.80	\$117.25

- Great for capturing dust from surface grinders or radial arm saws
- Effective in any position
- 24 ga. Galvanized steel construction
- New lower price

Vertical Hood w/ Front Flare



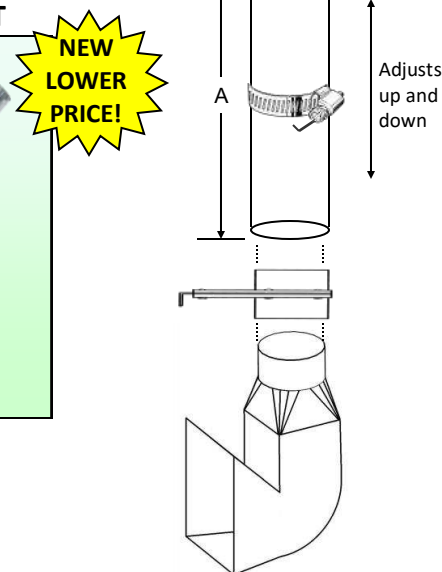
NEW LOWER PRICE!

ADDITIONAL 10% METAL SURCHARGE TO ALL METAL PRODUCTS.
EXCLUDES MANUAL CAST ALUMINUM BLAST GATES.

TELESCOPING JOINT

DIA	PART #	A INCH	WT.	REG. PRICE	SALE PRICE
4"	ATJ04	20	2.8	\$147.19	\$108.30
5"	ATJ05	20	3.8	\$158.64	\$122.63

- Used for adjusting any 4" or 5" hood in position to capture dust or fumes
- One end I.D. and the other O.D.
- Blast gate sold separately. See page 13
- Hood sold separately



NEW LOWER PRICE!