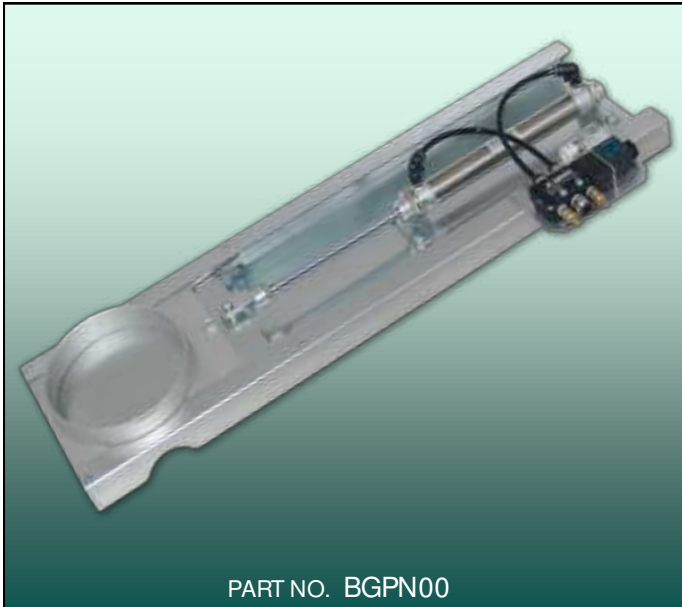


CAST ALUMINUM SINGLE CYLINDER



PART NO. BGPNO0

Automatic Die Cast Aluminum Pneumatic

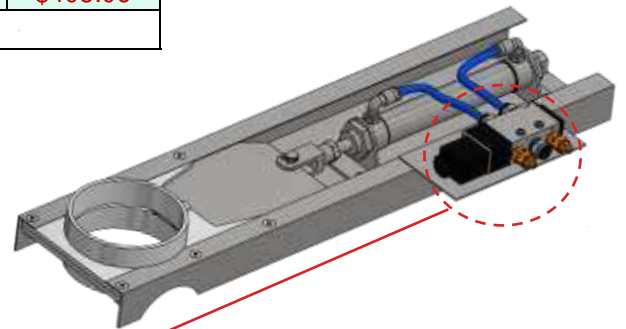
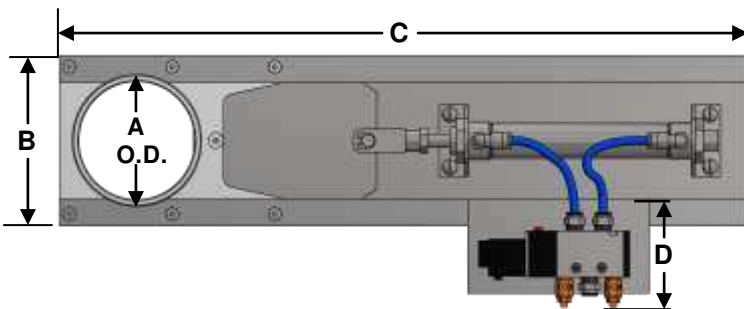
- Designed for dust and fumes
- Cast aluminum body with galvanized slide blade
- Operated by 80 - 90 P.S.I. compressed air
- 120VAC, 220VAC, 24VAC, 24VDC, coil included. Please specify voltage
- Single Cylinders 2" to 7" (Double Cylinder "Compact" Series sizes 8" - 24" see page 15)
- Undersized collars for slip-fit into duct
- Rolled edge collars available at additional cost



[CLICK HERE TO VIEW OUR FULL BLAST GATE CATALOG](#)

DIE CAST ALUMINUM PNEUMATIC—SINGLE CYLINDER

DIA	PART #	A O.D.	B	C	D	E	F	WT.	PRICE
2"	BGPNO2	2.32	3.80	15.88	3.14	0.78	1.94	2.6	\$382.20
3"	BGPNO3	2.82	4.11	18.81	3.26	0.75	1.91	3.8	\$385.79
4"	BGPNO4	3.87	5.09	21.76	3.23	0.75	1.87	4.8	\$387.75
5"	BGPNO5	4.76	6.10	25.28	3.07	0.88	2.16	5.2	\$392.79
6"	BGPNO6	5.82	7.10	27.81	3.12	0.88	2.13	7.0	\$396.53
7"	BGPNO7	6.81	8.10	31.53	3.03	1.05	2.51	8.2	\$403.06
SIZES 8" - 24" SEE PAGE 15									



AVAILABLE COIL VOLTAGES

24V DC	7.1VA 50HZ—5.8 60HZ
24V AC	7.1VA 50HZ—5.8 60HZ
120V AC	5.5VA 25MA
220V AC	5.5VA 25MA

