

Square to Round Transition

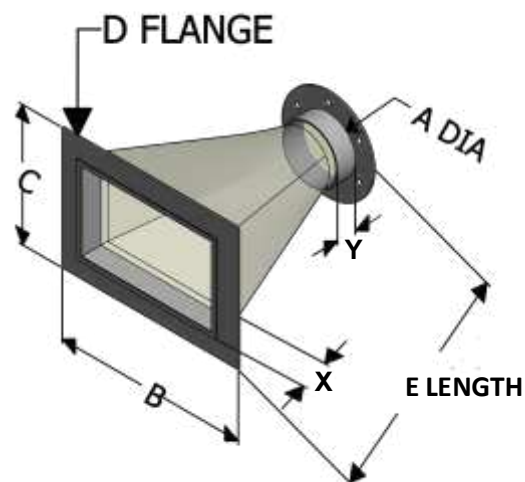


PART NO. HDSQR00-XX-XX

- Galvanized 18 ga, 16 ga, 14 ga & 12 ga
- Vanstone end on round end with rotational angle flange is standard. 2" straight skirt is standard.
- Priced by customer specifications
- Specify A , B, C, & D dimensions
- Specify X & Y dimensions and E length dimension
- Square (rectangular) ends to be approximate size of round end

SQUARE (RECTANGULAR) TO ROUND

DIA	PART #	18 GA	16 GA	14 GA	12 GA
8"	HDSQ08-XX-XX-XX				
10"	HDSQ10-XX-XX-XX				
12"	HDSQ12-XX-XX-XX				
14"	HDSQ14-XX-XX-XX				
16"	HDSQ16-XX-XX-XX				
18"	HDSQ18-XX-XX-XX				
20"	HDSQ20-XX-XX-XX	<p style="text-align: center; color: red;">PRICE WILL BE QUOTED PER CUSTOMER SPECIFICATIONS CONTACT OUR SALES OFFICE</p>			
22"	HDSQ22-XX-XX-XX				
24"	HDSQ24-XX-XX-XX				
26"	HDSQ26-XX-XX-XX				
28"	HDSQ28-XX-XX-XX				
30"	HDSQ30-XX-XX-XX				
32"	HDSQ32-XX-XX-XX				
34"	HDSQ34-XX-XX-XX				
36"	HDSQ36-XX-XX-XX				
38"	HDSQ38-XX-XX-XX				
40"	HDSQ40-XX-XX-XX				
42"	HDSQ42-XX-XX-XX				
44"	HDSQ44-XX-XX-XX				
46"	HDSQ46-XX-XX-XX				
48"	HDSQ48-XX-XX-XX				



*Note: Minimum L = B x .75. If less, square to square transition will be provided. 7" minimum L allowable for Sq to Rd and 4" minimum allowable for Sq to Sq.