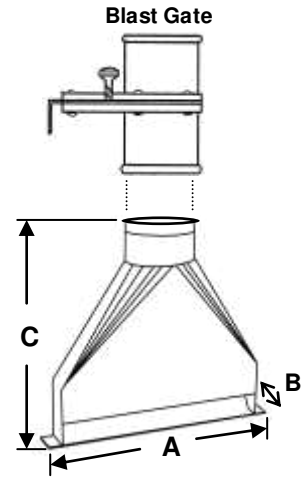


**FLOOR SWEEPS**

SIZE	PART #	ENDS	A INCH	B INCH	C INCH	WT.	PRICE	35% OFF
4"	CTFS04	CT	12	1.5	18	6.9	\$220.40	\$143.26
5"	CTFS05	CT	16	1.5	18	7.3	\$231.50	\$150.48
6"	CTFS06	CT	16	1.5	18	7.6	\$242.30	\$157.50

CT = CLAMP TOGETHER ~ ADDITIONAL SIZES AVAILABLE

**Floor Sweeps**



**Floor Sweeps**

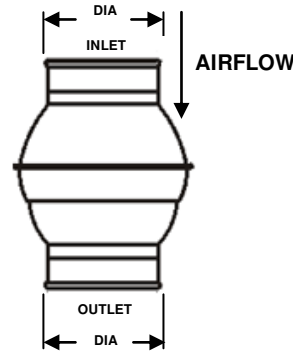
- Quick and effective floor cleaning
- Blast Gate required to close Floor Sweep
- Blast Gate sold separately

**BALL JOINTS**

SIZE	PART #	LENGTH	WT.	REG. PRICE	35% OFF
3"	CTBJ03	8.87	1.0	\$190.42	\$123.77
4"	CTBJ04	9.50	2.1	\$199.20	\$129.48
5"	CTBJ05	11.00	3.2	\$225.39	\$146.50
6"	CTBJ06	11.75	3.9	\$251.70	\$163.61
7"	CTBJ07	11.37	4.0	\$293.49	\$190.77
8"	CTBJ08	14.00	5.0	\$335.30	\$217.95
9"	CTBJ09	14.37	6.0	\$387.23	\$251.70
10"	CTBJ10	14.25	9.0	\$440.30	\$286.20
12"	CTBJ12	15.25	9.3	\$492.70	\$320.26

CT = CLAMP TOGETHER WT= LBS

**Ball Joints**



**Ball Joints**

- Extends life of Flex hose
- Used on CNC machines or other articulating equipment
- Zinc plated

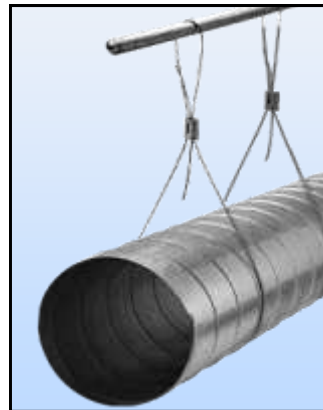
**LOOPED CABLE**



- Sold as a kit with a cable lock
- 15 ft long

PART #	MAX LOAD	LOCK	REG. PRICE 1 PACK	35% OFF
DTLCK33215	25-150 LBS	CL12	\$11.00	\$7.15
DTLCK1815	25-250 LBS	CL18	\$13.20	\$8.58

**CABLE DUCT HANGER**



**KV BRACKET**



- KV Bracket must be hung at a 90 degree angle to the suspension point
- Used for hanging rectangular duct

PART #	MAX LOAD	REG. PRICE 10 CT.	35% OFF 10 CT.
DTKV12	150 LBS	\$33.12	\$21.53

**CABLE**



- Aviation grade galvanized wire rope

DIA	PART #	FT/ ROLL	REG. PRICE	35% OFF
3/32	DTWR332500	500 FT	\$108.22	\$70.34
1/8	DTWR18500	500 FT	\$121.36	\$78.88
3/16	DTWR316250	250 FT	\$108.11	\$70.27

**CABLE LOCKS**



PART #	MAX LOAD	REG. PRICE 10 CT	35% OFF
DTCL12	150 LBS	\$25.56	\$16.61
DTCL18	250 LBS	\$40.24	\$26.16
DTCL23	640 LBS	\$57.94	\$37.66

**CABLE CUTTER**



- Spring loaded for ease of use and safety

PART #	REG. PRICE	35% OFF
DTRWC	\$55.20	\$35.88