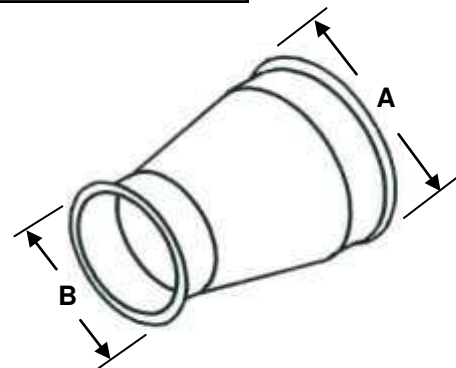


**REDUCER**

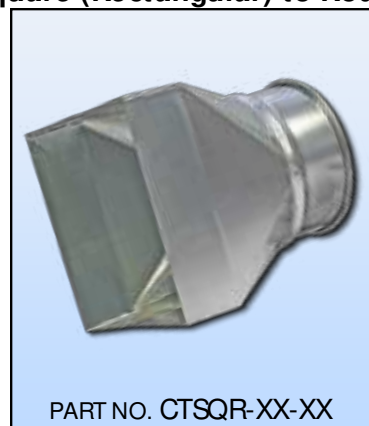
SIZE	PART #	GA.	WT.	REG. PRICE	35% OFF
4"	CTR04-XX	22	1.3	\$54.10	<b>\$35.17</b>
5"	CTR05-XX	22	1.5	\$55.10	<b>\$35.82</b>
6"	CTR06-XX	22	1.8	\$58.00	<b>\$37.70</b>
7"	CTR07-XX	22	2.0	\$58.40	<b>\$37.96</b>
8"	CTR08-XX	22	2.3	\$59.50	<b>\$38.68</b>
9"	CTR09-XX	22	2.5	\$67.40	<b>\$43.81</b>
10"	CTR10-XX	22	3.0	\$68.50	<b>\$44.53</b>
11"	CTR11-XX	22	3.5	\$80.70	<b>\$52.46</b>
12"	CTR12-XX	20	3.8	\$80.70	<b>\$52.46</b>
14"	CTR14-XX	20	4.5	\$96.20	<b>\$62.53</b>
16"	CTR16-XX	20	7.0	\$132.70	<b>\$86.26</b>
18"	CTR18-XX	20	21.0	\$138.40	<b>\$89.96</b>
20"	CTR20-XX	20	30.0	\$147.10	<b>\$95.62</b>
22"	CTR22-XX	20	39.5	\$167.60	<b>\$108.94</b>
24"	CTR24-XX	20	53.5	\$184.70	<b>\$120.06</b>

**Reducer**


- Priced by largest end A
- Specify A, B, Diameter


**SQUARE TO ROUND TRANSITION**

SIZE	PART #	GA.	WT.	REG. PRICE	35% OFF
4"	CTSQ04-XX-XX	22	1.3	\$112.30	<b>\$73.00</b>
5"	CTSQ05-XX-XX	22	1.5	\$116.50	<b>\$75.73</b>
6"	CTSQ06-XX-XX	22	1.8	\$120.70	<b>\$78.46</b>
7"	CTSQ07-XX-XX	22	2.0	\$128.50	<b>\$83.53</b>
8"	CTSQ08-XX-XX	22	2.3	\$134.20	<b>\$87.23</b>
9"	CTSQ09-XX-XX	22	2.5	\$139.00	<b>\$90.35</b>
10"	CTSQ10-XX-XX	22	3.0	\$143.90	<b>\$93.54</b>
11"	CTSQ11-XX-XX	22	3.5	\$146.60	<b>\$95.29</b>
12"	CTSQ12-XX-XX	20	3.8	\$146.60	<b>\$95.29</b>
14"	CTSQ14-XX-XX	20	4.5	\$151.90	<b>\$98.74</b>
16"	CTSQ16-XX-XX	20	7.0	\$159.40	<b>\$103.61</b>
18"	CTSQ18-XX-XX	20	21.0	\$164.20	<b>\$106.73</b>
20"	CTSQ20-XX-XX	20	30.0	\$169.80	<b>\$110.37</b>
22"	CTSQ22-XX-XX	20	39.5	\$203.10	<b>\$132.02</b>
24"	CTSQ24-XX-XX	20	53.5	\$233.90	<b>\$152.04</b>

**Square (Rectangular) to Round**


- Priced by round end Dia.
- Specify A, B dimension
- Square (rectangular) ends to be approx. size of round end
- Standard with 2" skirt raw edge
- Angle flange available at additional cost

