

BLAST GATE MANUAL CAST ALUMINUM

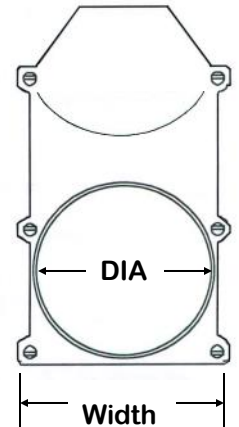
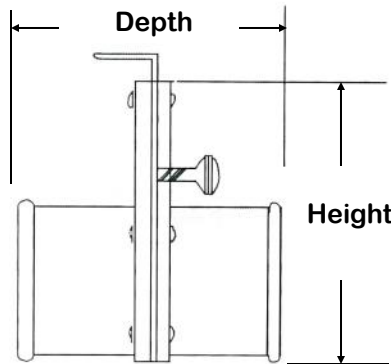
DIA	PART #	ENDS	WIDTH	HGT.	DEPTH	WT.	REG. PRICE	35% OFF
3"	BGFRE03	CT	4.01	5.61	6.18	1.4	\$43.34	\$28.17
4"	BGFRE04	CT	5.00	6.86	5.66	1.8	\$43.34	\$28.17
5"	BGFRE05	CT	6.00	8.00	5.17	2.4	\$45.10	\$29.32
6"	BGFRE06	CT	7.00	10.00	5.70	3.4	\$59.29	\$38.54
7"	BGFRE07	CT	8.00	11.25	5.06	4.4	\$70.18	\$45.62
8"	BGFRE08	CT	9.63	12.63	5.82	5.6	\$83.05	\$53.98
9"	BGFRE09	CT	10.62	13.60	5.33	7.6	\$114.95	\$74.72
10"	BGFRE10	CT	11.38	14.38	5.99	8.4	\$146.08	\$94.95
11"	BGFRE11	CT	12.31	15.38	5.42	7.4	\$189.64	\$123.27
12"	BGFRE12	CT	13.25	16.25	6.06	10.4	\$189.64	\$123.27
14"	BGFRE14	CT	15.76	18.97	6.26	14.2	\$280.83	\$182.54
16"	BGFRE16	CT	17.90	21.28	5.97	18.4	\$408.65	\$265.62
18"	BGFRE18	CT	20.23	32.82	9.04	22.4	\$519.20	\$337.48
20"	BGFRE20	CT	22.37	34.25	9.16	26.4	\$643.28	\$418.13
22"	BGFRE22	CT	24.60	34.21	9.11	30.0	\$702.24	\$456.46
24"	BGFRE24	CT	26.65	34.38	9.15	34.4	\$829.84	\$539.40
26"	BGFRE18	FL	29.25	CALL	CALL	62.0	\$1,584.00	\$1,029.60
28"	BGFRE20	FL	30.25	CALL	CALL	72.0	\$1,833.48	\$1,191.76
30"	BGFRE22	FL	33.25	CALL	CALL	97.0	\$2,250.27	\$1,462.68

CT = CLAMP TOGETHER FL = FLANGE

Die Cast Aluminum Blast Gate



- Manually operated
- Aluminum body, galvanized blade
- Clamp together rolled end collars



BLAST GATE ALL 304 STAINLESS

DIA	PART #	ENDS	WIDTH	HGT.	DEPTH	WT.	REG. PRICE	35% OFF
3"	BGRE03SS	CT	5.0	6.0	5.3	1.5	\$191.29	\$124.34
4"	BGRE04SS	CT	6.0	7.5	5.3	2.3	\$191.29	\$124.34
5"	BGRE05SS	CT	7.0	10.5	5.0	3.0	\$224.40	\$145.86
6"	BGRE06SS	CT	8.0	11.0	5.0	3.8	\$304.70	\$198.06
7"	BGRE07SS	CT	9.0	12.0	5.0	4.5	\$319.33	\$207.56
8"	BGRE08SS	CT	10.0	13.5	5.0	5.5	\$324.17	\$210.71
9"	BGRE09SS	CT	11.0	15.0	5.0	7.0	\$417.45	\$271.34
10"	BGRE10SS	CT	12.0	17.0	5.0	7.5	\$450.67	\$292.94
11"	BGRE11SS	CT	13.0	19.0	5.0	9.5	\$569.69	\$370.30
12"	BGRE12SS	CT	14.0	20.5	5.0	13.0	\$569.69	\$370.30
14"	BGRE14SS	CT	16.0	23.3	5.0	16.0	\$658.13	\$427.78
16"	BGRE16SS	CT	CALL	CALL	CALL	21.2	\$1,223.20	\$795.08
18"	BGRE18SS	CT	CALL	CALL	CALL	25.0	\$1,392.60	\$905.19
20"	BGRE20SS	CT	CALL	CALL	CALL	30.0	\$1,956.90	\$1,271.99
22"	BGRE22SS	CT	CALL	CALL	CALL	34.0	\$2,008.60	\$1,305.59
24"	BGRE24SS	CT	CALL	CALL	CALL	38.0	\$2,065.80	\$1,342.77
26"	BGRE26SS	FL	CALL	CALL	CALL	62.0	CALL	CALL
28"	BGRE28SS	FL	CALL	CALL	CALL	72.0	CALL	CALL
30"	BGRE30SS	FL	CALL	CALL	CALL	97.0	CALL	CALL

CT = CLAMP TOGETHER FL = FLANGE

All Stainless Blast Gate



- Manually operated
- All stainless Steel
- 12 gauge stainless body, 12 gauge slide blade
- Clamp together rolled end collars

