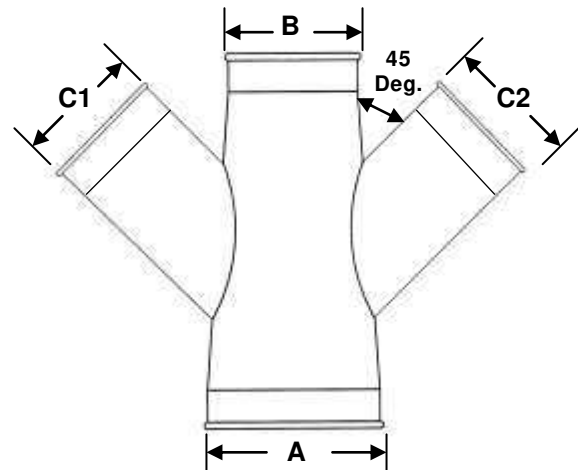


**DOUBLE BRANCH**

SIZE	PART #	ENDS	GA.	WT.	REG. PRICE	35% OFF
3"	CTDB03-XX-XX-XX	CT	22	2.6	\$163.80	\$106.47
4"	CTDB04-XX-XX-XX	CT	22	3.5	\$163.80	\$106.47
5"	CTDB05-XX-XX-XX	CT	22	4.4	\$172.60	\$112.19
6"	CTDB06-XX-XX-XX	CT	22	5.0	\$180.00	\$117.00
7"	CTDB07-XX-XX-XX	CT	22	6.0	\$185.20	\$120.38
8"	CTDB08-XX-XX-XX	CT	22	7.3	\$193.60	\$125.84
9"	CTDB09-XX-XX-XX	CT	22	8.5	\$203.20	\$132.08
10"	CTDB10-XX-XX-XX	CT	22	10.0	\$207.30	\$134.75
11"	CTDB11-XX-XX-XX	CT	22	10.8	\$237.80	\$154.57
12"	CTDB12-XX-XX-XX	CT	22	12.3	\$237.80	\$154.57
14"	CTDB14-XX-XX-XX	CT	20	15.0	\$286.40	\$186.16
16"	CTDB16-XX-XX-XX	CT	20	19.6	\$318.70	\$207.16
18"	CTDB18-XX-XX-XX	CT	20	26.0	\$354.10	\$230.17
20"	CTDB20-XX-XX-XX	CT	20	35.0	\$421.30	\$273.85
22"	CTDB22-XX-XX-XX	CT	20	49.5	\$483.90	\$314.54
24"	CTDB24-XX-XX-XX	CT	20	68.4	\$556.50	\$361.73
26"	CTDB26-XX-XX-XX	FL	18	104.0	\$639.80	\$415.87
28"	CTDB28-XX-XX-XX	FL	18	128.0	\$735.30	\$477.95
30"	CTDB30-XX-XX-XX	FL	18	153.0	\$808.30	\$525.40
CT = CLAMP TOGETHER			FL = FLANGE			

**Double Branch**


- All branches priced by largest end A
- Specify A, B, C1, C2
- Standard 45 degree taps
- 26" and up are flanged. Additional cost for flange(s)


**T-BRANCH**

SIZE	PART #	ENDS	GA.	WT.	REG. PRICE	35% OFF
3"	CTT03-XX	CT	22	1.5	\$130.00	\$84.50
4"	CTT04-XX	CT	22	2.0	\$130.00	\$84.50
5"	CTT05-XX	CT	22	2.8	\$136.60	\$88.79
6"	CTT06-XX	CT	22	3.2	\$141.20	\$91.78
7"	CTT07-XX	CT	22	4.0	\$143.40	\$93.21
8"	CTT08-XX	CT	22	4.8	\$147.00	\$95.55
9"	CTT09-XX	CT	22	5.5	\$153.60	\$99.84
10"	CTT10-XX	CT	22	6.0	\$163.80	\$106.47
11"	CTT11-XX	CT	22	7.5	\$182.10	\$118.37
12"	CTT12-XX	CT	22	8.8	\$182.10	\$118.37
14"	CTT14-XX	CT	20	12.0	\$213.90	\$139.04
16"	CTT16-XX	CT	20	14.0	\$246.00	\$159.90
18"	CTT18-XX	CT	20	18.3	\$267.60	\$173.94
20"	CTT20-XX	CT	20	20.5	\$322.20	\$209.43
22"	CTT22-XX	CT	20	24.8	\$405.20	\$263.38
24"	CTT24-XX	CT	20	29.0	\$466.10	\$302.97
26"	CTT26-XX	FL	18	40.3	\$514.70	\$334.56
28"	CTT28-XX	FL	18	45.0	\$658.10	\$427.77
30"	CTT30-XX	FL	18	58.5	\$740.00	\$481.00
CT = CLAMP TOGETHER			FL = FLANGE			

**T-Branch**


- All branches priced by largest end
- Specify A and B
- Both A ends are the same
- 26" and up are flanged. Additional cost for flange(s)

