

SPIRAL PIPE & FITTINGS PRICE CATALOG 2025

EVERYTHING FOR DUST COLLECTION



PAGE 1

SPIRAL PIPE & PIPE CONNECTORS



PAGE 2

45° & 90° ELBOWS



PAGE 3

LATERAL WYES



PAGE 4

TEES, TRUE WYES & SQUARE TO ROUND TRANSITIONS



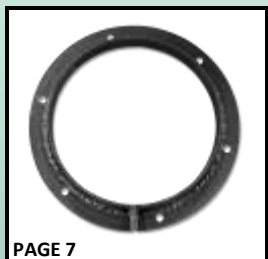
PAGE 5

SADDLE TAPS & SHOE TAPS



PAGE 6

END CAPS & REDUCERS



PAGE 7

ANGLE RINGS



PAGE 8

CABLE DUCT HANGERS & ACCESSORIES



PAGE 9

FLOOR SWEEPS & HOODS



PAGE 10

HOODS & TELESCOPING JOINTS



PAGE 11 & 12

BALL JOINTS & PIPE HANGERS



PAGE 13

DIE CAST ALUMINUM HALF & FULL BLAST GATES



PAGE 14

GALVANIZED, 304, & 316 STAINLESS STEEL FAB. BLAST GATES



PAGE 15

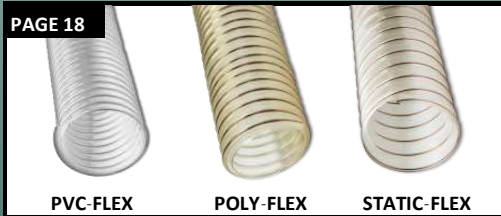
GALV. OR S.S. W/ UHMW SEALS SINGLE & DOUBLE CYLINDER BLAST GATES



PAGE 16 & 17

CAST ALUM. SINGLE CYL & DOUBLE CYLINDER "COMPACT SERIES" AUTO BLAST GATES

HOME/HOBBY SHOP



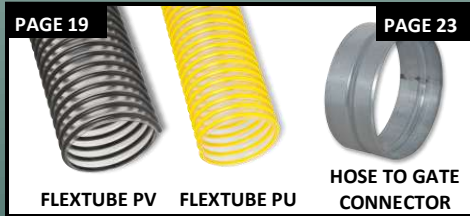
PAGE 18

PVC-FLEX

POLY-FLEX

STATIC-FLEX

LAWN, LEAF & DUST COLLECTION



PAGE 19

FLEXTUBE PV

FLEXTUBE PU

HOSE TO GATE CONNECTOR

PAGE 23

LIGHT/MEDIUM DUTY COMMERCIAL



PAGE 20, 21 & 22

R-4

FLX-20

T-7

MEDIUM & HEAVY DUTY COMMERCIAL & INDUSTRIAL



PAGE 20, 21, 22 & 23

ATEX POLYFLEX

FLX-30

FLX-45

CWGP

MFH METAL FLEX

R-2

GS HIGH TEMP



PAGE 24

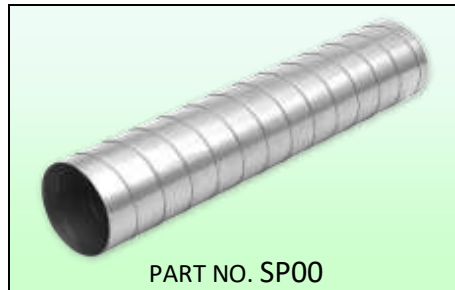
HOSE CLAMPS & BRIDGE CLAMPS

SPIRAL PIPE

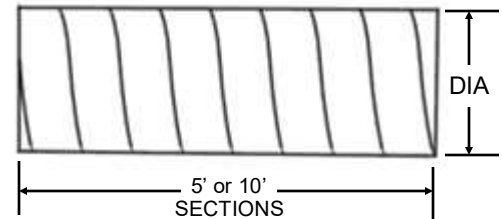
DIA	PART #	PRICE
3"	SP03-5	\$13.39
4"	SP04-5	\$17.67
5"	SP05-5	\$22.45
6"	SP06-5	\$25.60
7"	SP07-5	\$30.40
8"	SP08-5	\$33.55
9"	SP09-5	\$37.64
10"	SP10-5	\$40.39
11"	SP11-5	\$48.64
12"	SP12-5	\$48.64
14"	SP14-5	\$56.05
16"	SP16-5	\$64.29
18"	SP18-5	\$90.67
20"	SP20-5	\$100.56
22"	SP22-5	\$108.80
24"	SP24-5	\$120.34

PIPE DIAMETER IS I.D.

Spiral Pipe



- Galvanized with plain female ends
- Recommended for use in dust collector systems, vent fume systems & HVAC systems
- 3" - 16" diameter - 26 ga. standard
- 18" - 24" diameter - 24 ga. standard
- Heavier gauge available
- Available in 5 ft. and 10 ft. sections
- 3" to 24" standard diameter. Larger diameters available



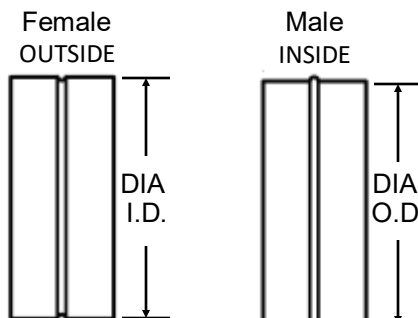
SPIRAL PIPE CONNECTORS

DIA	PART #		PRICE
	MALE	FEMALE	
3"	SPC03	FC03	\$6.60
4"	SPC04	FC04	\$6.60
5"	SPC05	FC05	\$6.94
6"	SPC06	FC06	\$7.56
7"	SPC07	FC07	\$7.90
8"	SPC08	FC08	\$8.53
9"	SPC09	FC09	\$8.78
10"	SPC10	FC10	\$9.94
11"	SPC11	FC11	\$10.21
12"	SPC12	FC12	\$10.47
14"	SPC14	FC14	\$13.25
16"	SPC16	FC16	\$14.09
18"	SPC18	FC18	\$18.23
20"	SPC22	FC20	\$18.57
22"	SPC22	FC22	\$21.42
24"	SPC24	FC24	\$21.86

Spiral Pipe Connectors



- Male connector used for pipe to pipe or pipe to hose connections
- Female connector used to fit fittings together. Used on outside of male fittings
- Secure connection by installing sheet metal screw or pop rivets (fasteners not included). See below
- Our vinyl seal duct tape is recommended to seal air tight (see page 8)



SHEET METAL SELF DRILLING SCREWS

SIZE	PART #	LENGTH	QTY	PRICE
10	SD1034-100CT	3/4"	100 CT	\$6.64
10	SD1034-5LB	3/4"	5LBS	\$29.24



See page 25 for Spiral Pipe and fittings installation instructions

90° ELBOW - PRESSED 1.5 CLR

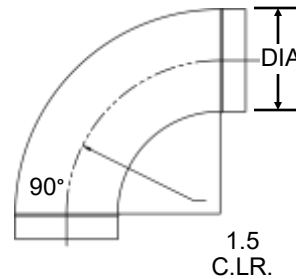
DIA	PART #	PRICE
3"	EL903HLR	\$19.53
4"	EL904HLR	\$20.96
5"	EL905HLR	\$23.80
6"	EL906HLR	\$26.92
7"	EL907HLR	\$39.18
8"	EL908HLR	\$40.57
9"	EL909HLR	\$57.81
10"	EL910HLR	\$58.97
12"	EL912HLR	\$71.69

90° Elbow Press Formed



PART NO. EL900HLR

AIR TIGHT



- Galvanized with male ends
- Long radius, 1.5 center line radius
- Seam welded
- Airtight
- 24 Ga.
- Recommended for dust collection systems and other suction systems

90° ELBOW - SEGMENTED 1.5 CLR

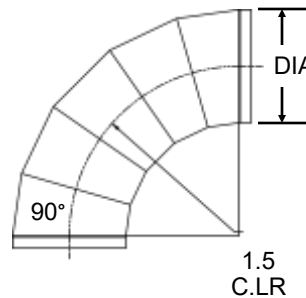
DIA	PART #	PRICE
14"	EL914HLR	\$112.90
16"	EL914HLR	\$131.17
18"	EL918HLR	\$149.11
20"	EL920HLR	\$196.08
22"	EL922HLR	\$205.20
24"	EL924HLR	\$229.52

90° Elbow Segmented



PART NO. EL900HLR

AIR TIGHT



- Galvanized with male ends
- Long Radius, 1.5 center line radius
- Airtight
- 22 Ga.
- Recommended for dust collection systems and other suction systems

45° ELBOW - PRESSED 1.5 CLR

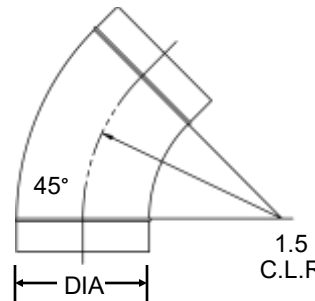
DIA	PART #	PRICE
3"	EL403HLR	\$15.62
4"	EL404HLR	\$16.76
5"	EL405HLR	\$19.04
6"	EL406HLR	\$21.55
7"	EL407HLR	\$31.33
8"	EL408HLR	\$32.46
9"	EL409HLR	\$46.24
10"	EL410HLR	\$47.18
12"	EL412HLR	\$57.35

45° Elbow Press Formed



PART NO. EL400HLR

AIR TIGHT



- Galvanized with male ends
- Long radius, 1.5 center line radius
- Seam welded
- Airtight
- 24 Ga.
- Recommended for dust collection systems and other suction systems

45° ELBOW - SEGMENTED 1.5 CLR

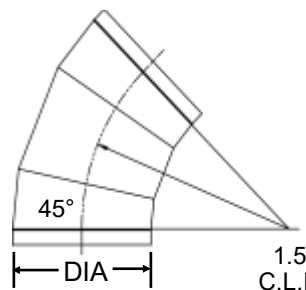
DIA	PART #	PRICE
14"	EL414HLR	\$90.22
16"	EL416HLR	\$104.94
18"	EL418HLR	\$119.28
20"	EL420HLR	\$156.87
22"	EL422HLR	\$164.17
24"	EL424HLR	\$183.62

45° Elbow Segmented



PART NO. EL400HLR

AIR TIGHT



- Galvanized with male ends
- Long radius, 1.5 center line radius
- Airtight
- 22 Ga.
- Recommended for dust collection systems and other suction systems

45° LATERAL WYE

DIA A	DIA B	DIA C	PART #	PRICE
3	3	3	BTL4030303	\$48.58
4	4	3	BTL4040403	\$48.58
4	4	4	BTL4040404	\$48.58
5	5	3	BTL4050503	\$50.23
5	5	4	BTL4050504	\$50.23
5	5	5	BTL4050505	\$50.23
6	6	3	BTL4060603	\$51.03
6	6	4	BTL4060604	\$51.03
6	6	5	BTL4060605	\$51.03
6	6	6	BTL4060606	\$51.03
7	7	3	BTL4070703	\$52.75
7	7	4	BTL4070704	\$52.75
7	7	5	BTL4070705	\$52.75
7	7	6	BTL4070706	\$52.75
7	7	7	BTL4070707	\$52.75
8	8	4	BTL4080804	\$56.19
8	8	5	BTL4080805	\$56.19
8	8	6	BTL4080806	\$56.19
8	8	7	BTL4080807	\$56.19
8	8	8	BTL4080808	\$56.19
10	10	4	BTL4101004	\$66.26

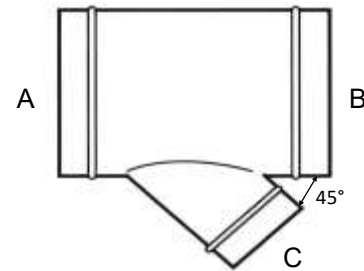
45° LATERAL WYE

DIA A	DIA B	DIA C	PART #	PRICE
10	10	5	BTL4101005	\$66.26
10	10	6	BTL4101006	\$66.26
10	10	7	BTL4101007	\$66.26
10	10	8	BTL4101008	\$66.26
10	10	10	BTL4101010	\$66.26
12	12	4	BTL4121204	\$76.70
12	12	5	BTL4121205	\$76.70
12	12	6	BTL4121206	\$76.70
12	12	7	BTL4121207	\$76.70
12	12	8	BTL4121208	\$76.70
12	12	10	BTL4121210	\$76.70
12	12	12	BTL4121212	\$76.70
14	14	4	BTL4141404	\$87.87
14	14	5	BTL4141405	\$87.87
14	14	6	BTL4141406	\$87.87
14	14	7	BTL4141407	\$87.87
14	14	8	BTL4141408	\$87.87
14	14	10	BTL4141410	\$87.87
14	14	12	BTL4141412	\$87.87
14	14	14	BTL4141414	\$87.87
16	16	16	BTL4161616	CALL
18	18	18	BTL4181818	CALL

45° Lateral Wye



AIR TIGHT



- Galvanized with male ends
- 22 ga.
- Stitch welded and caulked
- Priced by largest end. Specify A, B dimensions and C tap
- Airtight
- Larger sizes available
- Double Branches available

45° REDUCING LATERAL WYE

DIA A	DIA B	DIA C	PART #	PRICE
4	3	3	BTL4040303	\$58.66
5	4	3	BTL4050403	\$60.31
5	4	4	BTL4050404	\$60.31
6	4	4	BTL4060404	\$61.11
6	5	3	BTL4060503	\$61.11
6	5	4	BTL4060504	\$61.11
6	5	5	BTL4060505	\$61.11
7	4	4	BTL4070404	\$62.83
7	5	4	BTL4070504	\$62.83
7	5	5	BLT4070505	\$62.83
7	6	4	BTL4070605	\$62.83
7	6	5	BTL4070605	\$62.83
7	6	6	BTL4070606	\$62.83
8	6	4	BTL4080604	\$66.27

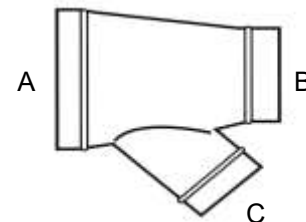
45° REDUCING LATERAL WYE

DIA A	DIA B	DIA C	PART #	PRICE
8	6	5	BTL4080605	\$66.27
8	6	6	BTL4080606	\$66.27
8	7	4	BTL4080704	\$66.27
8	7	5	BTL4080705	\$66.27
8	7	6	BTL4080706	\$66.27
8	7	7	BTL4080707	\$66.27
10	8	6	BTL4100806	\$76.34
10	8	7	BTL4100807	\$76.34
10	8	8	BTL4100808	\$76.34
12	8	6	BTL4120806	\$86.77
12	8	8	BTL4120808	\$86.77
12	10	6	BTL4121006	\$86.77
12	10	8	BTL4121008	\$86.77
12	10	10	BTL4121010	\$86.77

45° Reducing Lateral Wye



AIR TIGHT



- Galvanized with male ends
- 22 ga.
- Priced by largest end. Specify A, B, C
- Airtight (Larger sizes available)

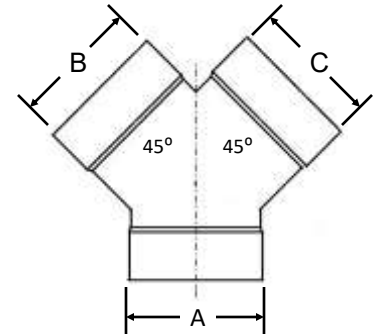
TRUE WYE (PANT LEG DESIGN)

DIA A	DIA B	DIA C	PART #	PRICE
3	3	3	TWYE030303	\$58.66
4	4	4	TWYE040404	\$58.66
5	5	5	TWYE050505	\$60.31
6	6	6	TWYE060606	\$61.11
7	7	7	TWYE070707	\$62.83
8	8	8	TWYE080808	\$68.79
10	10	10	TWYE101010	\$78.84
12	12	12	TWYE121212	\$86.77
14	14	14	TWYE141414	\$101.24
16	16	16	TWYE161616	CALL
18	18	18	TWYE181818	CALL
20	20	20	TWYE202020	CALL

True Wye



- Galvanized with male ends
- Priced by larger end. Specify A and B
- Larger and custom sizes available



PART NO. TWYE000000

AIR TIGHT

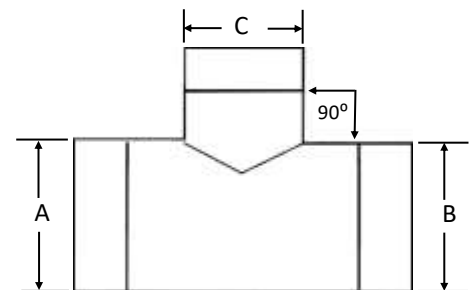
90° TEE

DIA A	DIA B	DIA C	PART #	PRICE
3	3	3	BTL9030303	\$48.58
4	4	4	BTL9040404	\$48.58
5	5	5	BTL9050505	\$50.23
6	6	6	BTL4050503	\$51.03
7	7	7	BTL9070707	\$52.75
8	8	8	BTL9080808	\$56.19
10	10	10	BTL9101010	\$66.26
12	12	12	BTL9121212	\$76.70
14	14	14	BTL9141414	\$87.87
16	16	16	BTL9161616	CALL
18	18	18	BTL9181818	CALL
20	20	20	BTL9202020	CALL

90° Tee



- Galvanized with male ends
- All branches priced by largest end
- Specify A dimension and C tap



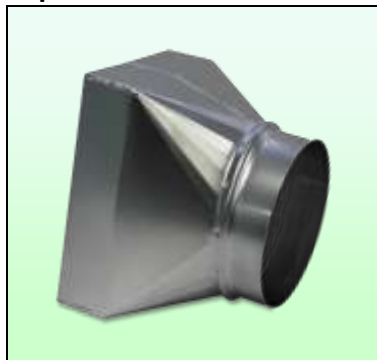
PART NO. BTL9000000

AIR TIGHT

SQUARE TO ROUND TRANSITION

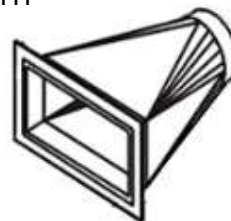
DIA A	DIMENSIONS	PRICE
	MADE TO YOUR SPECIFICATIONS CALL FOR PRICING	

Square to Round Transition

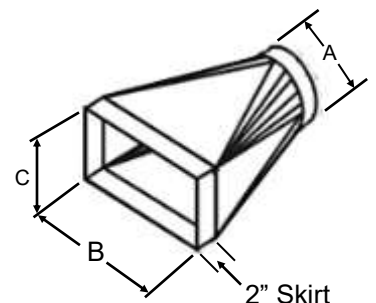


- Priced by round end Dia.
- Specify A, B & C dimensions
- Specify O.D or I.D. on square end
- Square (rectangular) ends to be approximate size of round end
- Standard with 2" skirt raw edge
- Angle flange adapter available at additional cost

AIR TIGHT



Shown with Angle Flange



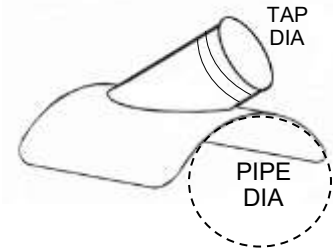
45° SADDLE TAP

DIA TAP	DIA PIPE	PART #	PRICE
4	4	SHOET404-4	\$23.56
4	6	SHOET404-6	\$23.56
4	8	SHOET404-8	\$23.56
4	10	SHOET404-10	\$23.56
4	12	SHOET404-12	\$23.56
4	14	SHOET404-14	\$23.56
4	16	SHOET404-16	\$23.56
6	6	SHOET406-6	\$35.66
6	8	SHOET406-8	\$35.66
6	10	SHOET406-10	\$35.66
6	12	SHOET406-12	\$35.66
6	14	SHOET406-14	\$35.66
6	16	SHOET406-16	\$35.66
8	8	SHOET408-8	\$40.87
8	10	SHOET408-10	\$40.87
8	12	SHOET408-12	\$40.87
8	14	SHOET408-14	\$40.87
8	16	SHOET408-16	\$40.87
10	10	SHOET410-10	\$43.13

45° SADDLE TAP

DIA TAP	DIA PIPE	PART #	PRICE
10	12	SHOET410-12	\$43.13
10	14	SHOET410-14	\$43.13
10	16	SHOET410-16	\$43.13
12	18	SHOET410-18	\$43.13
12	12	SHOET412-12	\$55.11
12	14	SHOET412-14	\$55.11
12	16	SHOET412-16	\$55.11
12	18	SHOET412-18	\$55.11
12	20	SHOET412-20	\$55.11
12	24	SHOET412-24	\$55.11
14	14	SHOET414-14	CALL
14	16	SHOET414-16	CALL
14	18	SHOET414-18	CALL
14	20	SHOET414-20	CALL
14	24	SHOET414-24	CALL
16	16	SHOET416-16	CALL
16	18	SHOET416-18	CALL
16	20	SHOET416-20	CALL
16	24	SHOET416-24	CALL

45° SADDLE TAP



- Airtight
- Priced by tap diameter
- Specify tap diameter and pipe diameter
- Other sizes available
- 26 ga.

90° SHOE TAP

DIA TAP	PART #	PRICE
4"	SHOET904	\$24.95
5"	SHOET905	\$25.47
6"	SHOET906	\$25.47
7"	SHOET907	\$26.90
8"	SHOET908	\$26.90
10"	SHOET909	\$34.27
12"	SHOET912	\$40.71
14"	SHOET914	CALL
16"	SHOET916	CALL
18"	SHOET918	CALL

90° SHOE TAP



- Priced by tap diameter
- Saddles are universal fit
- Specify tap diameter and pipe diameter
- Other sizes available
- 26 ga. standard

SPIRAL PIPE END CAP

DIA	PART #	PRICE
3"	EC03L	\$6.59
4"	EC04L	\$6.68
5"	EC05L	\$6.83
6"	EC06L	\$7.51
7"	EC07L	\$7.62
8"	EC08L	\$8.48
9"	EC09L	\$9.90
10"	EC10L	\$11.17
11"	EC11L	\$12.61
12"	EC12L	\$17.13
14"	EC14L	\$19.52
16"	EC16L	\$20.77
18"	EC18L	\$22.42
20"	EC20L	\$24.39
22"	EC22L	\$27.16
24"	EC24L	\$31.88
LARGER SIZES AVAILABLE		

Spiral Pipe End Cap


PART NO. ECOOL

- Galvanized
- 3" - 12" Dia, 26 ga.
- 14" - 18" Dia, 24 ga.
- 20" - 28" Dia, 22 ga.
- 30" - 36" Dia, 20 ga
- Male fit
- Made to cap off end of spiral pipe



END CAP W/ FLAT PLATE

SPUN/TAPERED REDUCER

DIA A	DIA B	PART #	PRICE
3"	2"	R0302H	\$19.85
3"	2.5"	R0302.5H	\$19.85
4"	2"	R0402H	\$19.40
4"	2.5"	R0402.5H	\$19.40
4"	3"	R0403H	\$19.40
5"	3"	R0503H	\$19.40
5"	4"	R0504H	\$19.40
6"	3"	R0603H	\$21.75
6"	4"	R0604H	\$21.75
6"	5"	R0605H	\$21.75
7"	4"	R0704H	\$23.88
7"	5"	R0705H	\$23.88
7"	6"	R0706H	\$23.88
8"	4"	R0804H	\$25.96
8"	5"	R0805H	\$25.96

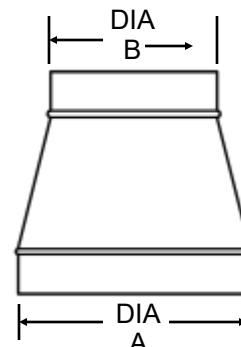
DIA A	DIA B	PART #	PRICE
8"	6"	R0806H	\$25.96
8"	7"	R0807H	\$25.96
9"	7"	R0907H	\$26.84
9"	8"	R0908H	\$26.84
10"	6"	R1006H	\$27.59
10"	8"	R1008H	\$27.59
10"	9"	R1009H	\$27.59
12"	6"	R1206H	\$31.45
12"	8"	R1208H	\$31.45
12"	10"	R1210H	\$31.45
14"	10"	R1410H	\$40.47
14"	12"	R1412H	\$40.47
16"	10"	R1610H	\$45.74
16"	12"	R1612H	\$45.74
16"	14"	R1614H	\$45.74

Spun/Tapered Reducer


PART NO. R0000H

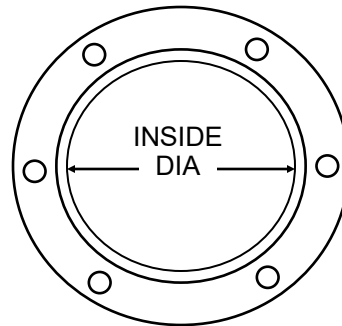
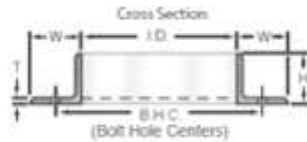
AIR TIGHT

- Galvanized
- 20 ga.
- Male (small ends) fit into spiral pipe
- Priced by larger end A
- Larger sizes available





PART NO. ARO0



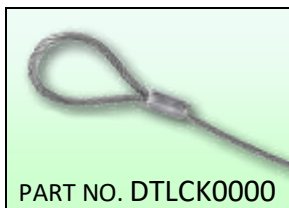
PRESSED RING SHOWN

- Mild steel standard
- Galvanized & stainless steel available. Call for pricing
- Rubber gaskets available. Part number RG00
- 3" to 5" pressed
- 6" and up rolled
- Fasteners not included

ANGLE RINGS SLIP ON THE OUTSIDE OF SPIRAL PIPE

SIZE	PART #	INSIDE DIA	HEIGHT	WIDTH	THICKNESS	BOLT HOLE CENTERS	NO. OF BOLT HOLES	SIZE OF BOLT HOLES	WT.	PRICE
3"	AR03	3-1/16"	7/8"	1"	10 ga.	4-5/16"	6	9/32"	0.70	\$6.23
4"	AR04	4-1/16"	15/16"	1"	10 ga.	5-5/16"	6	9/32"	0.85	\$9.44
5"	AR05	5-1/16"	1"	1"	10 ga.	6-5/16"	6	9/32"	1.20	\$11.47
6"	AR06	6-1/8"	1-1/4"	1-1/4"	1/8"	7-5/16"	6	3/8"	1.75	\$10.36
7"	AR07	7-1/8"	1-1/4"	1-1/4"	1/8"	8-1/2"	6	3/8"	2.00	\$10.78
8"	AR08	8-1/8"	1-1/4"	1-1/4"	1/8"	9-9/16"	6	3/8"	2.25	\$12.14
9"	AR09	9-1/8"	1-1/8"	1 1/4"	1/8"	10-5/8"	6	3/8"	2.50	\$13.57
10"	AR10	10-1/8"	1-1/4"	1-1/4"	1/8"	11-13/16"	6	3/8"	2.75	\$15.80
11"	AR11	11-1/8"	1-1/4"	1-1/4"	1/8"	12-3/4"	6	3/8"	3.00	\$17.40
12"	AR12	12-1/8"	1-1/2"	1-1/2"	1/8"	14"	8	7/16"	4.00	\$21.17
13"	AR13	13-1/8"	1-1/2"	1-1/2"	1/8"	15"	8	7/16"	4.25	\$23.99
14"	AR14	14-1/8"	1-1/2"	1-1/2"	1/8"	16"	8	7/16"	4.75	\$27.68
15"	AR15	15-1/8"	1-1/2"	1-1/2"	1/8"	17"	8	7/16"	5.00	\$29.16
16"	AR16	16-1/8"	1-1/2"	1-1/2"	3/16"	18"	8	7/16"	8.00	\$30.64
17"	AR17	17-1/8"	1-1/2"	1-1/2"	3/16"	19"	8	7/16"	8.25	\$32.14
18"	AR18	18-1/8"	1-1/2"	1-1/2"	3/16"	20"	8	7/16"	8.50	\$33.02
20"	AR20	20-1/8"	1-1/2"	1-1/2"	3/16"	21-3/4"	12	7/16"	9.50	\$36.04
22"	AR22	22-1/8"	1-1/2"	1-1/2"	3/16"	23-3/4"	12	7/16"	10.75	\$39.08
24"	AR24	24-1/8"	1-1/2"	1-1/2"	3/16"	25-7/8"	12	7/16"	11.50	\$45.17
26"	AR26	26-1/8"	2"	2"	3/16"	28-3/8"	16	7/16"	15.50	\$48.21
28"	AR28	28-1/8"	2"	2"	3/16"	30-3/8"	16	7/16"	18.00	\$50.84
30"	AR30	30-1/8"	2"	2"	3/16"	32-3/8"	16	7/16"	19.50	\$53.48
32"	AR32	32-1/8"	2"	2"	3/16"	34-3/8"	16	7/16"	20.00	\$58.26
34"	AR34	34-1/8"	2"	2"	3/16"	36-3/8"	16	7/16"	22.50	\$57.56
36"	AR36	36-1/8"	2"	2"	3/16"	38-3/8"	16	7/16"	23.00	\$62.88
38"	AR38	38-1/8"	2"	2"	3/16"	40-3/8"	24	7/16"	24.50	\$67.95
40"	AR40	40-1/8"	2"	2"	3/16"	42-3/8"	24	7/16"	25.75	\$73.01
42"	AR42	42-1/8"	2"	2"	3/16"	44-3/8"	24	7/16"	26.50	\$78.50
44"	AR44	44-1/8"	2"	2"	3/16"	46-3/8"	24	7/16"	28.00	\$85.03
46"	AR46	46-1/8"	2"	2"	3/16"	48-3/8"	24	7/16"	29.00	\$88.55
48"	AR48	48-1/8"	2"	2"	3/16"	50-3/8"	24	7/16"	30.75	\$92.57

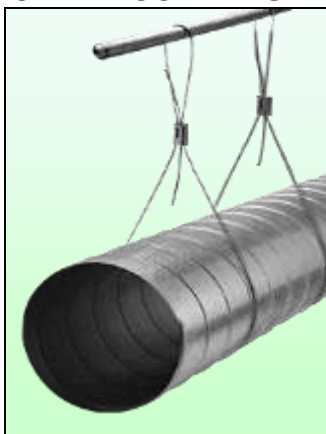
ALSO AVAILABLE IN GALVANIZED AND STAINLESS STEEL

LOOPED CABLE


- Sold as a kit with a cable lock
- 15 ft long

PART NO. DTLCK0000

PART #	MAX LOAD	LOCK	PRICE/1 PK
DTLCK33215E	25-150 LBS	CL12	\$10.23
DTLCK1815E	25-250 LBS	CL18	\$13.29

CABLE DUCT HANGER

KV BRACKET


- KV Bracket must be hung at a 90 degree angle to the suspension point
- Used for hanging rectangular duct

PART NO. DTKV12

PART #	MAX LOAD	PRICE/10 CT
DTKV12	150 LBS	\$40.13

GALV. CABLE


- Aviation grade galvanized wire rope

PART NO. DTWR00000

DIA.	PART #	FT/ROLL	PRICE
3/32	DTWR332500	500 FT	\$84.69
1/8	DTWR18500	500 FT	\$94.96
3/16	DTWR316250	250 FT	\$84.60

CABLE LOCKS


PART #	CABLE SIZE	MAX LOAD	PRICE 10 CT.
DTCL12	3/32"	150 LBS	\$30.26
DTCL18	3/32"-1/8"	250 LBS	\$47.69
DTCL23	1/8"-3/16"	640 LBS	\$68.66

CABLE CUTTER


- Spring loaded for ease of use and safety
- Maximum capacity 3/16"

PART NO. DTRWC

PART #	PRICE
DTWRC	\$70.77

CAULK/SEALANTS


PART NO. CSXXXX

Caulk/Sealants

PART#	TYPE	COLOR	SIZE	PRICE/TUBE
CSSALMT	SOLAR SEAL 900 TERPOLYMER	ALUMINUM	10.3 oz	\$7.38
CSSCLRT	SOLAR SEAL 900 TERPOLYMER	CLEAR	10.3 oz	\$7.38
CSALUMT	SILICONE ADASEAL	ALUMINUM	10.3 oz	\$7.95
CSCLRT	SILICONE ADASEAL	CLEAR	10.3 oz	\$7.95

- **SOLAR SEAL 900** - An alternative to silicone & urethane sealants, adhesives and caulk. Provides exceptional weather resistance, adhesion elongation and color stability. This product is paintable. Also available in cases (12 ct.)
- **ADASEAL** - A neutral cure 100% silicone sealant with numerous applications. Impervious to water, forming an instant waterproof barrier. No cracking, shrinking, hardening or crumbling. Prevents water damage and mold growth. Also available in cases (12 ct.)

TAPE


PART NO. VS105

Duct Sealing Tape

PART#	TYPE	COLOR	SIZE	PRICE/ROLL
VS105	VINYL SEAL DUCT SEALING TAPE	GREY	1-1/4 X 36 Yards	\$6.29

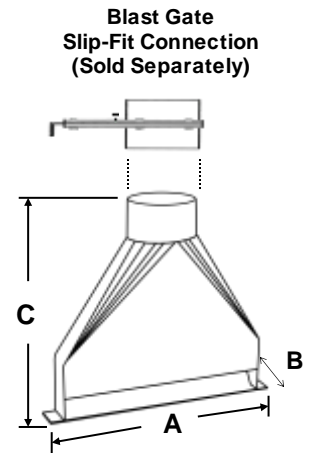
- Very flexible, non-hardening and maintains flexibility through the years
- Specifically formulated for tight adhesion on metal to metal connections
- Can be removed easily

FLOOR SWEEPS - HEAVY DUTY INDUSTRIAL

SIZE	PART #	A INCH	B INCH	C INCH	WT.	PRICE
4"	FS04	12	1.5	18	6.9	\$144.90
5"	FS05	16	1.5	18	7.3	\$151.20
6"	FS06	16	1.5	18	7.6	\$157.50
ADDITIONAL SIZES AVAILABLE						

- Quick and effective floor cleaning
- Blast Gate required to close Floor Sweep
- Blast Gate sold separately (see page 13)
- All welded heavy duty 18 ga.

Floor Sweeps HD

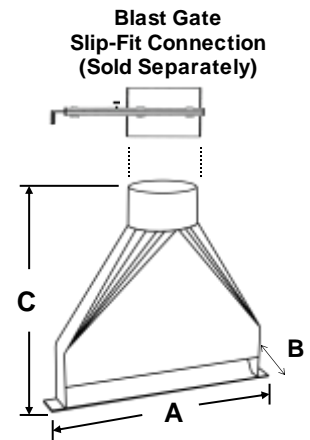


FLOOR SWEEPS—LIGHT DUTY

DIA	PART #	A INCH	B INCH	C INCH	WT.	PRICE
4"	FS0424	14	1.5	10.0	1.6	\$46.03
5"	FS0524	16	1.5	10.0	1.8	\$50.70
6"	FS0624	20	1.5	10.2	2.3	\$56.24

- Economical
- Quick and effective floor cleaning
- Blast Gate required to close Floor Sweep
- Blast Gate sold separately (see page 13)
- Spot welded 24 ga. Galvanized steel construction
- New lower price

Floor Sweeps

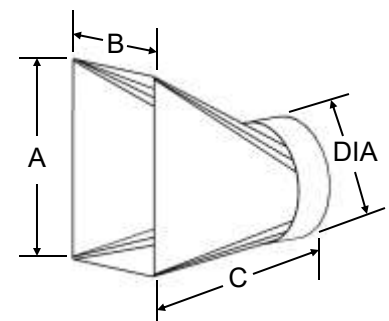


HORIZONTAL CAPTURE HOOD

DIA	PART #	A INCH	B INCH	C INCH	WT.	PRICE
3"	AHH363	6	3	11.5	1.0	\$42.46
4"	AHH484	8	4	10.0	1.0	\$44.72
5"	AHH5105	10	5	12.3	1.8	\$48.04
6"	AHH6106	10	6	11.5	2.0	\$55.31

- Great for capturing saw dust or fumes
- Effective in any position
- 24 ga. Galvanized steel construction
- New lower price

Horizontal Hood

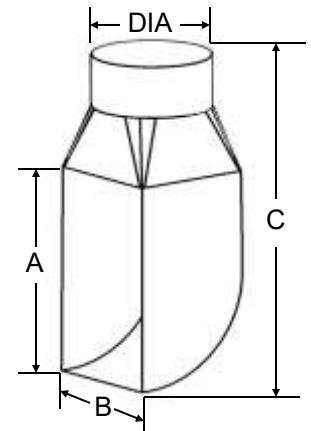


VERTICAL CAPTURE HOOD

DIA	PART #	A INCH	B INCH	C INCH	WT.	PRICE
4"	AVH484	8	4	12.2	1.1	\$45.74
5"	AVH5105	10	5	14.2	1.5	\$50.32
6"	AVH6106	10	6	14.2	2.0	\$70.47

- Great for capturing saw dust or fumes
- Effective in any position
- 24 ga. Galvanized steel construction

Vertical Hood

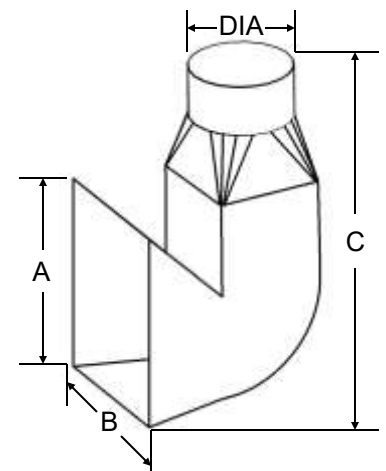


VERTICAL CAPTURE HOOD WITH FRONT FLARE

DIA	PART #	A INCH	B INCH	C INCH	WT.	PRICE
4"	ASGH04	7	6	11.0	1.7	\$123.11

- Great for capturing dust from surface grinders or radial arm saws
- Effective in any position
- 24 ga. Galvanized steel construction

Vertical Hood w/ Front Flare

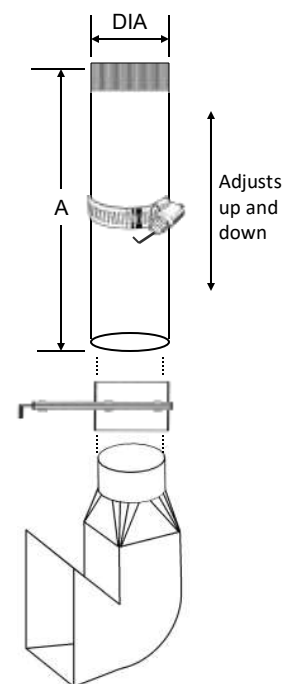


TELESCOPING JOINT

DIA	PART #	A INCH	WT.	PRICE
4"	ATJ04	20	2.8	\$113.72

- Used for adjusting any 4" hood in position to capture dust or fumes
- One end I.D. and the other O.D.
- Blast gate sold separately. See page 13
- Hood sold separately

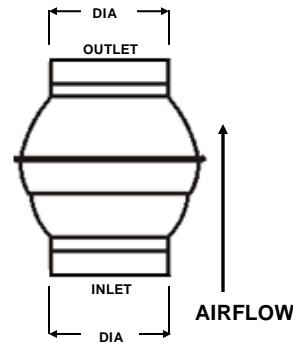
TELESCOPING JOINT



BALL JOINTS

DIA	PART #	WT.	PRICE
3"	BJ03	1.1	\$131.02
4"	BJ04	1.8	\$143.69
5"	BJ05	2.4	\$151.66
6"	BJ06	3.0	\$156.25
7"	BJ07	3.5	\$159.77
8"	BJ08	5.0	\$216.63
9"	BJ09	5.9	\$264.33
10"	BJ10	8.8	\$265.17
12"	BJ12	9.1	\$337.38

Ball Joints



- Extends life of Flex hose
- Used on CNC machines or other articulating equipment
- Hose to gate connector recommended to provide an extended collar for hose connection. Pg. 23
- Zinc plated
- 20 ga.

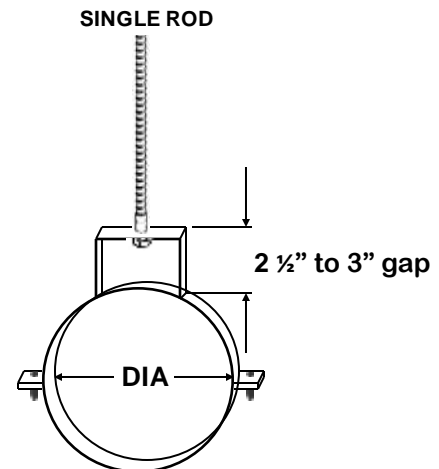
PIPE HANGER HJ

DIA	PART #	WT.	PRICE
3"	CTHJ03	0.4	\$12.13
4"	CTHJ04	0.5	\$12.13
5"	CTHJ05	0.6	\$13.60
6"	CTHJ06	0.7	\$15.37
7"	CTHJ07	0.8	\$15.37
8"	CTHJ08	0.9	\$18.38
9"	CTHJ09	1.1	\$22.70
10"	CTHJ10	1.1	\$24.17
11"	CTHJ11	1.3	\$26.79
12"	CTHJ12	1.4	\$26.79
13"	CTHJ13	1.6	\$30.57
14"	CTHJ14	1.8	\$30.57
16"	CTHJ16	2.2	\$42.01
18"	CTHJ18	2.8	\$43.71
20"	CTHJ20	3.4	\$46.18
22"	CTHJ22	4.1	\$56.68
24"	CTHJ24	5.0	\$65.25

Pipe Hanger HJ



- 3" to 24", 14 ga. galvanized construction
- Bolts are supplied with hanger
- Threaded rod sold separately



PIPE HANGER

DIA	PART #	WT.	PRICE
3"	HR03	0.4	\$6.48
4"	HR04	0.5	\$6.48
5"	HR05	0.1	\$8.19
6"	HR06	0.5	\$8.19
7"	HR07	0.6	\$8.19
8"	HR08	0.7	\$9.83
9"	HR09	0.8	\$12.21
10"	HR10	0.9	\$12.78
11"	HR11	1.0	\$14.25
12"	HR12	1.0	\$14.25
14"	HR14	1.2	\$16.21
16"	HR16	1.4	\$21.05
18"	HR18	1.5	\$22.37
20"	HR20	1.8	\$24.50
22"	HR22	6.0	\$30.14
24"	HR24	6.0	\$34.48

Pipe Hanger


- 1 1/2" Wide, 14 gauge, galvanized construction
- Can be used as a single or double rod hanger (see illustration below)
- Threaded rod sold separately

EYE COUPLING

DIA	PART #	WEIGHT	PRICE
3/8	TREC38E	0.2	\$1.68

Eye Coupling

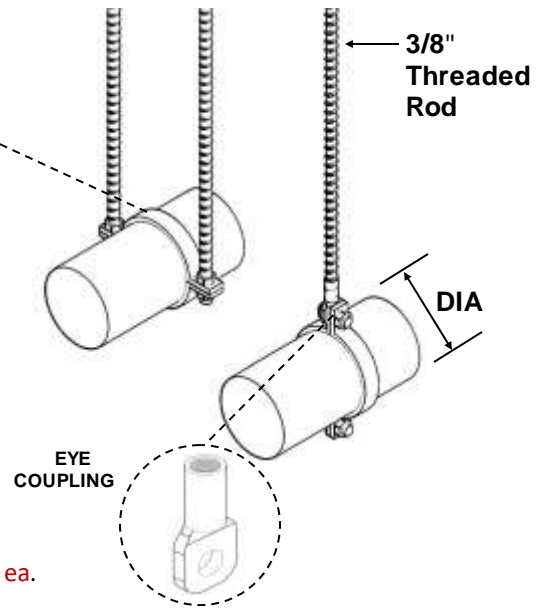
THREADED ROD - ZINC PLATED. GALV.

DIA	PART #	LENGTH	PRICE
3/8	TR38Z5P	5'	\$5.25

Threaded Rod


3/8" Threaded Rod Coupling to join to rods. PART No. TRC38E \$1.20 ea.

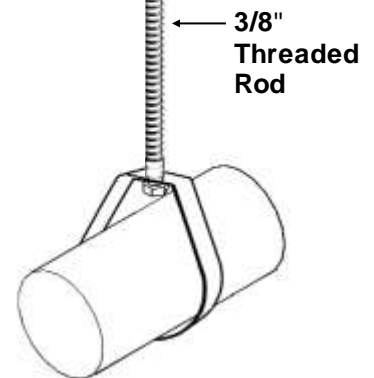
3/8" Hangermate Screw available for wood and concrete. Part No. HM38WE \$1.05 ea.

DOUBLE ROD
SINGLE ROD

TEAR DROP HANGER

DIA	PART #	WT.	PRICE
3"	TDH03	0.3	\$13.47
4"	TDH04	0.4	\$13.47
5"	TDH05	0.5	\$13.78
6"	TDH06	0.6	\$14.05
7"	TDH07	0.7	\$15.27
8"	TDH08	0.8	\$15.75
9"	TDH09	0.9	\$16.34
10"	TDH10	1.0	\$16.96
11"	TDH11	1.1	\$17.54
12"	TDH12	1.2	\$17.83
14"	TDH14	1.4	\$21.32
16"	TDH16	1.6	\$21.95
18"	TDH18	2.0	\$24.91
20"	TDH20	3.0	\$31.36
22"	TDH22	6.0	\$34.02
24"	TDH24	6.0	\$38.76

Tear Drop Hanger


- 3" to 24", 14 gauge, galvanized construction
- Threaded rod sold separately

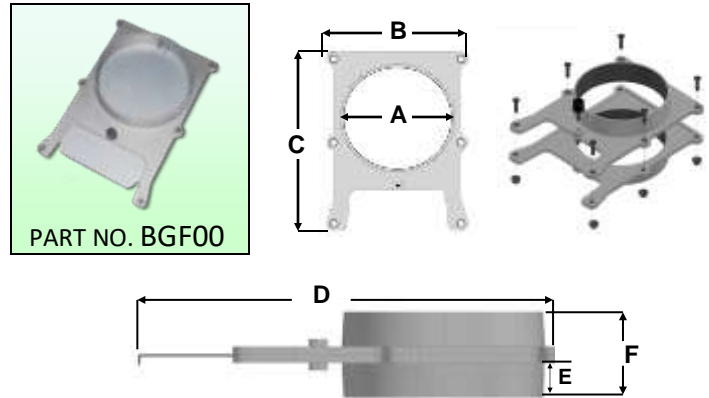
SINGLE ROD


DIE CAST ALUMINUM FULL BLAST GATES

DIA	PART #	A O.D.	B	C	D	E	F	WT.	PRICE
2"	BGF02	2.32	3.6	4.5	5.9	0.8	1.9	0.4	\$12.67
3"	BGF03	2.82	4.0	5.6	7.0	0.8	1.9	0.7	\$14.98
4"	BGF04	3.87	5.0	6.9	9.1	0.8	1.9	1.0	\$15.11
5"	BGF05	4.76	6.0	8.0	11.8	0.9	2.2	1.4	\$20.45
6"	BGF06	5.82	7.0	10.0	14.4	0.9	2.1	2.0	\$25.54
7"	BGF07	6.81	8.0	11.3	15.6	1.1	2.5	2.7	\$32.34
8"	BGF08	7.85	9.6	12.6	18.1	1.5	3.5	4.4	\$42.97
9"	BGF09	8.88	10.6	13.6	20.4	1.3	3.2	5.4	\$60.97
10"	BGF10	9.83	11.4	14.4	22.1	1.5	3.7	6.2	\$82.62
11"	BGF11	10.9	12.4	15.4	25.4	1.4	3.4	7.4	\$90.07
12"	BGF12	11.8	13.3	16.3	26.8	1.5	3.7	8.0	\$90.07
14"	BGF14	13.8	15.8	19.0	30.1	1.9	4.4	11.8	\$160.52
16"	BGF16	15.9	17.9	21.3	34.9	1.8	4.4	15.1	\$186.17
18"	BGF18	17.8	20.2	32.8	40.4	3.1	7.0	30.0	\$349.86
20"	BGF20	19.8	22.4	34.2	45.0	3.2	7.2	37.0	\$387.20
22"	BGF22	21.7	24.6	34.1	47.3	3.1	7.1	45.0	\$478.86
24"	BGF24	23.7	26.6	34.4	51.9	3.2	7.2	55.0	\$507.89
26"	BGF26	25.8	28.6	36.8	57.9	3.0	7.1	59.5	\$834.62
28"	BGF28	27.6	31.0	39.8	65.2	3.2	7.2	70.5	\$967.93
30"	BGF30	29.6	33.2	42.5	66.7	3.1	7.2	77.2	\$1,140.66

ALL BLAST GATE COLLARS ARE UNDERSIZED (MALE) FOR SLIP-FIT CONNECTION TO SPIRAL PIPE (FEMALE.) EXCLUDES CLAMP -TOGETHER/ROLLED COLLARS AND ANGLE RING COLLARS.

Die Cast Alum. Full Blast Gate

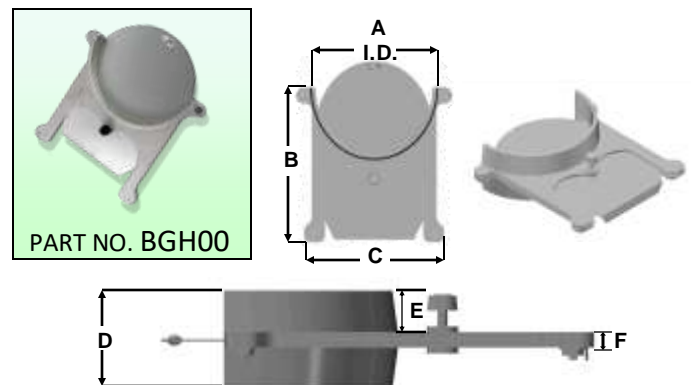


- Used for wood, plastic, powder and other dusts in collector systems
- Economically designed. Locking screw included
- Connecting collars are undersized to allow slip-fit into nominal pipe or duct
- Bolt-together construction for ease of disassembly for cleaning
- Maximum temperature 400° F
- Available in sizes 2" to 30"

DIE CAST ALUMINUM HALF BLAST GATES

DIA	PART #	A I.D.	B	C	D	E	F	BLADE GA.	WT.	PRICE
3"	BGH03	3.06	4.04	4.22	2.2	1.2	4.3	18	0.6	\$18.23
4"	BGH04	4.06	4.65	5.3	2.5	1.3	0.4	18	1.0	\$20.61
5"	BGH05	5.06	4.34	6.04	2.5	1.1	0.4	18	1.2	\$26.25
6"	BGH06	6.06	6.94	7.13	2.6	1.1	0.4	18	1.6	\$28.52
7"	BGH07	7.06	7.56	8.24	2.3	1.0	0.4	18	2.0	\$40.99
8"	BGH08	8.6	7.75	9.26	2.6	1.1	0.5	18	2.6	\$42.34
9"	BGH09	9.06	8.63	11.3	2.7	1.1	0.5	18	3.2	\$57.88
10"	BGH10	10.6	8.94	11.9	2.8	1.2	0.5	18	3.8	\$66.30
12"	BGH12	12.1	9.94	13.3	3.1	1.3	0.5	18	4.6	\$91.48
14"	BGH14	14.1	11.4	16.3	4.2	1.8	0.6	18	7.8	\$136.90
16"	BGH16	16.1	12.3	18.3	4.1	1.8	0.6	18	9.4	\$184.72
18"	BGH18	18.1	23.3	21.0	4.6	2.0	0.6	14	16.4	\$439.86
20"	BGH20	19.1	25.9	23.4	4.8	2.1	0.1	14	25.8	\$528.59

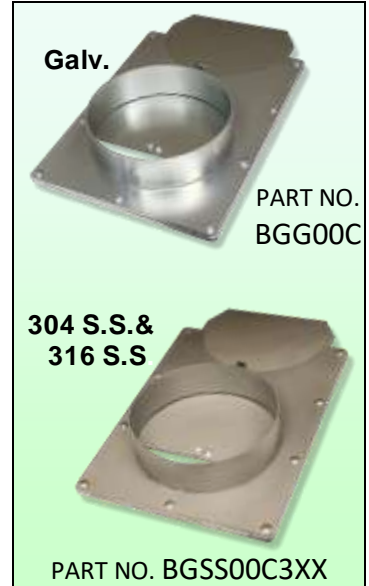
Die Cast Alum. Half Blast Gate



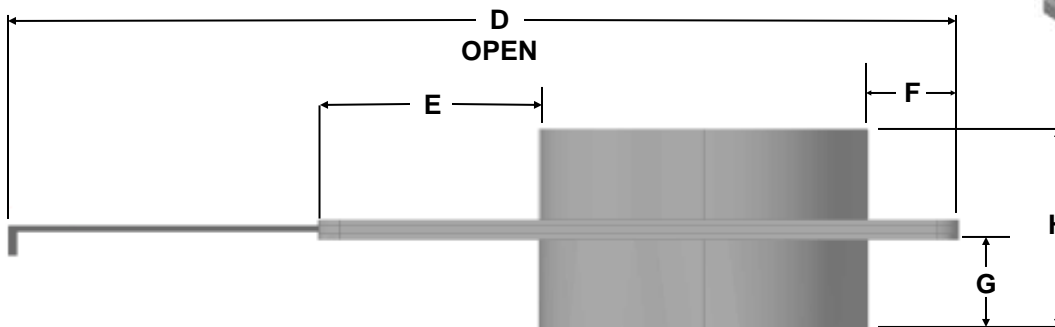
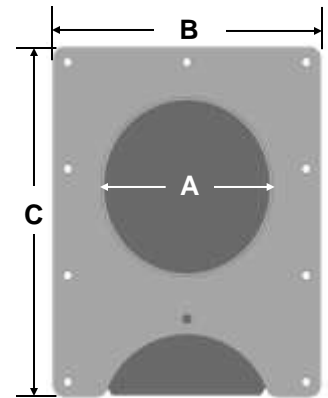
- Designed for use with existing duct systems
- Galvanized steel slide with locking screw
- Available w/ S.S. slide blade. (Not stock)
- Simply cut a 3/8 inch slot halfway through pipe for blade insertion
- Commonly used for air balancing as well as a cut-off damper
- Maximum temperature 400° F
- Available in sizes 3" to 20"

GALVANIZED, 304 OR 316 STAINLESS STEEL FABRICATED BLAST GATES

DIA	PART #	A O.D.	B	C	D	E	F	G	H	WT.	GALV. PRICE	304 S.S. PRICE	316 S.S. PRICE
2"	BGG02C	1.88	4.0	4.5	5.9	1.9	0.9	1.0	2.4	2.3	\$181.95	\$247.23	\$293.51
3"	BGG03C	2.88	5.0	6.0	9.2	2.0	1.0	1.3	4.5	2.6	\$186.72	\$250.04	\$310.84
4"	BGG04C	3.88	6.0	7.5	11.2	2.5	1.0	1.5	4.2	3.8	\$191.97	\$269.16	\$341.82
5"	BGG05C	4.88	7.0	9.5	14.1	3.5	1.1	1.5	4.4	5.2	\$197.90	\$281.86	\$375.11
6"	BGG06C	5.88	7.9	11.0	16.7	4.0	1.1	1.5	4.4	6.4	\$226.33	\$281.86	\$434.12
7"	BGG07C	6.88	9.4	12.5	19.6	4.5	1.1	1.5	4.5	8.0	\$233.84	\$359.72	\$460.16
8"	BGG08C	7.88	10.4	13.5	20.4	4.5	1.1	2.0	4.5	9.6	\$270.64	\$383.16	\$554.06
9"	BGG09C	8.88	11.6	16.0	22.6	5.7	1.4	2.0	4.5	11.5	\$295.63	\$408.51	\$632.50
10"	BGG10C	9.88	12.0	17.0	26.6	6.0	1.1	2.0	5.2	13.4	\$326.18	\$508.40	\$861.11
12"	BGG12C	11.9	14.4	20.3	31.9	7.3	1.1	2.0	4.1	15.4	\$490.59	\$689.07	\$1,008.68
14"	BGG14C	13.9	16.0	23.3	36.9	8.5	1.1	2.0	5.1	22.8	\$568.73	\$826.94	\$1,198.43
16"	BGG16C	15.9	18.0	26.5	42.2	9.5	1.0	2.0	5.3	29.0	\$707.84	\$1,234.65	\$1,790.45
18"	BGG18C	17.9	20.0	29.1	51.0	10.0	1.0	2.0	5.1	34.2	\$1,084.86	\$1,322.19	\$3,080.03
*COLLARS ARE ALL UNDERSIZED FOR SLIP FIT CONNECTION - EXAMPLE: 2" = 1.88 O.D.													
304 SS PART NUMBER: BGSS02C304 316 SS PART NUMBER: BGSS02C316													

All Galvanized, Stainless Steel

All Galvanized 304 or 316 S.S. Blast Gates

- Available in all galvanized steel, stainless steel 304 or 316 construction. Cold rolled steel available but not a stock item
- Heavy duty 12 gauge body, 12 gauge blade
- Galv. collars 1/8" undersized to "slip fit" into nominal pipe diameters
- Stainless steel collars 1/8" undersized to fit inside nominal size pipe "Slip Fit"
- Bolt together body to allow disassembly for cleaning
- Angle ring connection available at additional cost
- Larger sizes up to 30" available. Call for pricing



GALVANIZED W/ UHMW SEALS

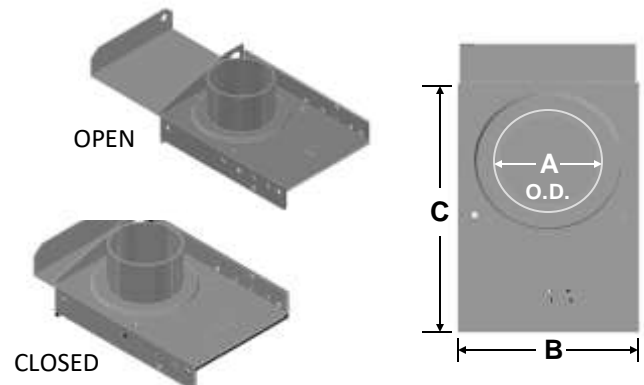
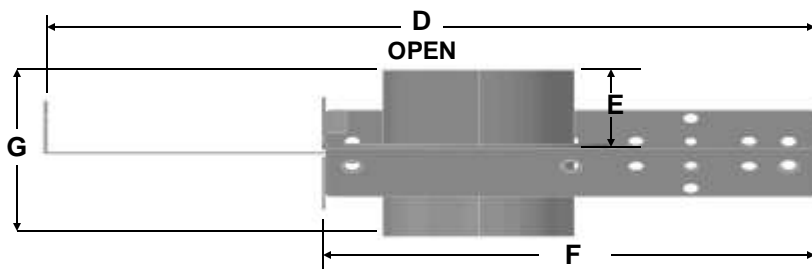


Galvanized with UHMW Seals

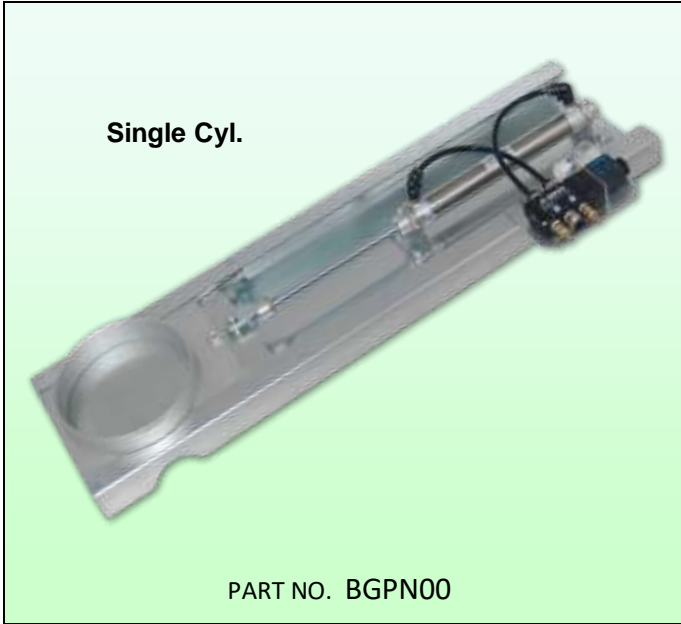
- Used for particulate and fumes/vapors
- UHMW (Ultra High Molecular Weight) seals for very low leakage in negative pressure (suction) systems
- Collars are standard O.D. plain ends or flanged ends available
- Self cleaning design
- Neoprene spring washer on sizes 2" - 8" for added pressure seal. Sizes 10" - 24" have UHMW seals only.
- Available in automatic. Call for pricing.

GALVANIZED W/UHMW SEALS

DIA	PART #	A O.D.	B	C	D	E	F	G	BLADE GA.	COLLAR GA.	BODY GA.	WT.	PRICE GALV.	PRICE 304 S.S.
2"	BGASM02	2.0	6.4	9.8	12.8	2.5	8.8	6.2	14	18	16	4.6	\$391.84	\$562.12
3"	BGASM03	3.0	6.0	9.7	12.8	2.4	10.3	5.9	14	18	16	4.8	\$410.43	\$703.71
4"	BGASM04	4.0	7.0	11.3	15.3	2.4	10.3	5.8	14	18	16	6.2	\$410.43	\$703.71
5"	BGASM05	5.0	7.9	11.4	18.3	2.4	12.3	5.9	14	16	16	7.8	\$433.68	\$744.08
6"	BGASM06	6.0	8.9	15.3	21.3	2.4	14.3	5.9	14	16	16	9.4	\$445.63	\$764.27
7"	BGASM07	7.0	10.9	19.9	27.1	2.8	18.1	5.9	14	16	16	15	\$478.43	\$820.32
8"	BGASM08	8.0	10.9	19.9	21.3	2.7	18.1	6.1	14	16	16	14	\$494.64	\$848.48
9"	BGASM09	9.0	14.6	23.7	27.1	2.8	20.1	6.1	14	16	14	28	\$525.33	\$900.82
10"	BGASM10	10.0	14.6	23.7	33.4	2.7	22.1	5.8	14	16	14	27	\$586.43	\$1,005.35
12"	BGASM12	12.0	16.6	28.2	40.2	2.6	27.2	5.8	11	16	14	35.8	\$607.41	\$1,041.48
14"	BGASM14	13.9	18.0	33.5	47.5	2.6	32.5	6.1	14	14	14	41.8	\$908.77	\$1,069.77
16"	BGASM16	15.9	20.0	37.5	53.5	2.6	36.5	6.1	14	14	14	47.8	\$946.58	\$1,122.38
18"	BGASM18	17.9	22.0	42.2	60.2	2.6	42.5	6.1	12	12	12	53.8	\$1,077.39	\$1,593.90
20"	BGASM20	19.9	24.0	45.1	65.0	2.6	44.5	6.1	12	12	12	59.5	\$1,633.12	\$2,337.72
22"	BGASM22	21.9	26.0	49.3	71.3	2.6	48.5	6.1	12	12	12	65.8	\$1,807.68	\$2,975.28
24"	BGASM24	23.9	28.0	53.1	77.1	2.6	52.5	6.1	12	12	12	71.5	\$1,883.55	\$3,227.65



CAST ALUMINUM SINGLE CYLINDER



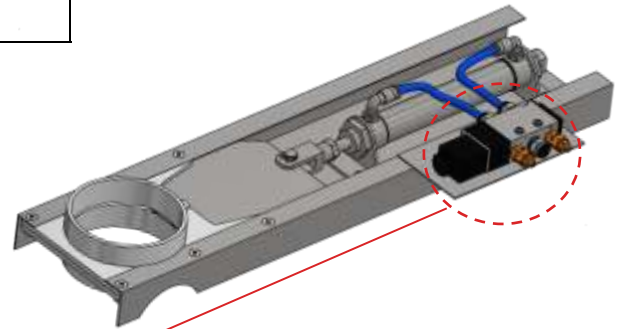
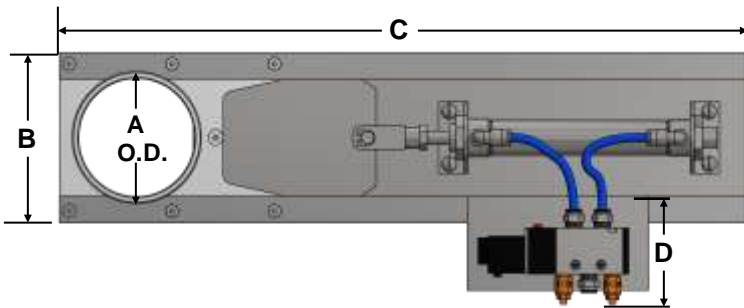
Automatic Die Cast Aluminum Pneumatic

- Designed for dust and fumes
- Cast aluminum body with galvanized slide blade
- Operated by 80 - 90 P.S.I. compressed air
- 120VAC, 220VAC, 24VAC, 24VDC, coil included. Please specify voltage
- Single Cylinders 2" to 7" (Double Cylinder "Compact" Series sizes 8" - 24" see page 15)
- Undersized collars for slip-fit into duct
- Rolled edge collars available at additional cost

DIE CAST ALUMINUM PNEUMATIC—SINGLE CYLINDER

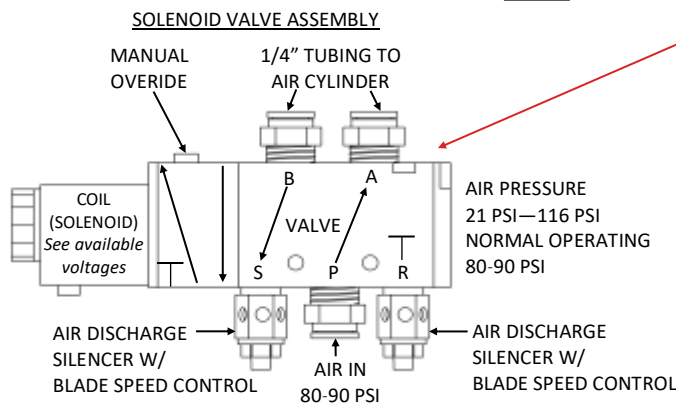
DIA	PART #	A O.D.	B	C	D	E	F	WT.	PRICE
2"	BGPN02	2.32	3.8	15.9	3.14	0.8	1.9	2.6	\$507.65
3"	BGPN03	2.82	4.11	18.8	3.26	0.8	1.9	3.8	\$512.43
4"	BGPN04	3.87	5.09	21.8	3.23	0.8	1.9	4.8	\$515.03
5"	BGPN05	4.76	6.1	25.3	3.07	0.9	2.2	5.2	\$521.72

SIZES 6" - 24" SEE PAGE 15



AVAILABLE COIL VOLTAGES

24V DC	7.1VA 50HZ—5.8 60HZ
24V AC	7.1VA 50HZ—5.8 60HZ
120V AC	5.5VA 25MA
220V AC	5.5VA 25MA



CAST ALUMINUM DOUBLE CYLINDER



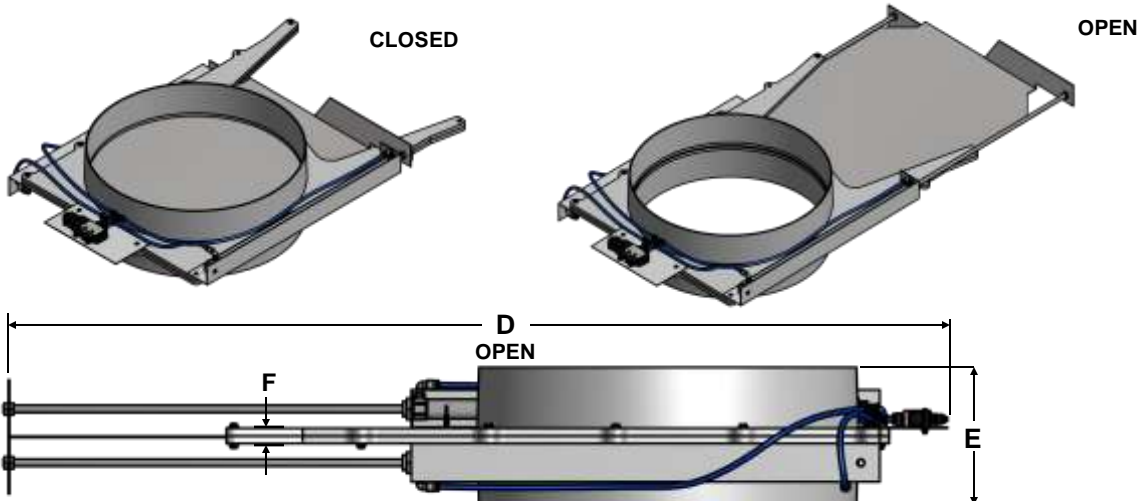
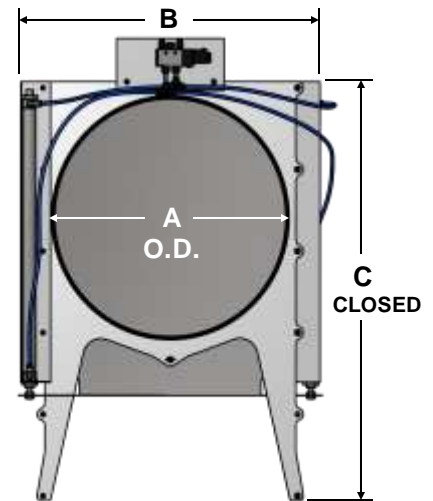
Double Cylinder "Compact" Series Blast Gate

- Designed for dust and fumes
- Cast aluminum body with galvanized slide blade
- Operated by 90-100 P.S.I. compressed air
- 120VAC, 220VAC, 24VAC, 24VDC, coil included. Please specify voltage. See page 14 for diagram
- Double Cylinder "Compact" Series sizes 8" to 24" (Single Cylinders 2" to 7" see page 14)
- Rolled edge collar available at additional cost

DIE CAST ALUMINUM PNEUMATIC—DOUBLE CYLINDER

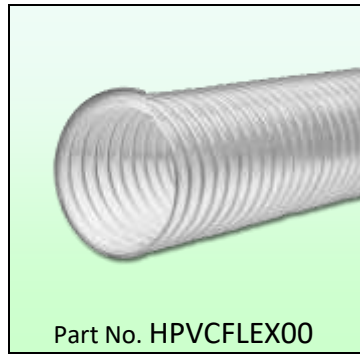
DIA	PART #	A O.D.	B	C	D	E	F	WT.	PRICE
6"	BGPN06	5.82	7.1	27.8	3.12	0.9	2.1	7	\$526.69
7"	BGPN07	6.81	8.1	31.5	3.03	1.1	2.5	8.2	\$535.36
8"	BGPN08	7.85	11.6	13.5	17.4	4.0	0.4	8.4	\$606.15
9"	BGPN09	8.88	12.6	14.4	18.4	4.0	0.4	8.5	\$665.72
10"	BGPN10	9.83	13.4	15.4	19.2	4.0	0.4	11	\$728.08
12"	BGPN12	11.6	13.2	16.4	20.2	4.0	0.4	12	\$755.84
14"	BGPN14	13.8	18.0	20.0	23.9	4.0	0.3	16	\$916.40
16"	BGPN16	15.9	19.2	21.0	37.0	4.4	0.4	40	\$1,066.57
18"	BGPN18	17.8	21.5	23.3	42.1	4.1	0.8	45	\$1,220.14
20"	BGPN20	19.8	24.4	25.1	44.9	4.1	0.8	50	\$1,320.70
22"	BGPN22	21.7	26.8	27.9	49.1	4.1	0.8	55	\$1,333.24
24"	BGPN24	23.7	28.8	30.1	53.2	4.1	0.8	60	\$1,554.77

SIZES 2" - 5" SEE PAGE 14



PVC FLEX HOSE

DIA	PART #	PRICE/ 10 FT.
2.5"	HPVCFLEX02.5	\$19.06
3"	HPVCFLEX03	\$22.98
4"	HPVCFLEX04	\$24.83
5"	HPVCFLEX05	\$36.70
6"	HPVCFLEX06	\$53.01
SOLD IN 10 FT SECTIONS ONLY		

PVC-Flex


Part No. HPVCFLEX00

ALL HOSE DIAMETER IS I.D.

- PVC flex hose
- Very flexible with wire helix for strength and durability
- Clear to identify blockage
- Temperature range: -20° F to 160° F
- Wall thickness: 0.015
- Requires BCUL Hose Clamp

Applications:

- Home/hobby wood shop
- Light commercial wood, dust & powders

POLY FLEX HOSE

DIA	PART #	PRICE/ 10 FT.
2"	HPOLYFLEX2.5	\$37.54
3"	HPOLYFLEX03	\$44.47
4"	HPOLYFLEX04	\$51.05
5"	HPOLYFLEX05	\$62.95
6"	HPOLYFLEX06	\$72.53
SOLD IN 10 FT SECTIONS ONLY		

Poly-Flex


Part No. HPOLYFLEX00

ALL HOSE DIAMETER IS I.D.

- Polyurethane flex hose
- Very durable, puncture and abrasion resistant
- Wears much longer than other hose
- Clear with wire helix
- Temperature range: -20° F to 160° F
- Wall thickness: 0.015

Applications:

- Home/hobby wood shop
- Light commercial wood, dusts & powders

STATIC FLEX HOSE

DIA	PART #	PRICE PER FT.
2.5"	HSTATICFLEX02.5	\$5.21
3"	HSTATICFLEX03	\$5.45
4"	HSTATICFLEX04	\$6.25
5"	HSTATICFLEX05	\$6.62
6"	HSTATICFLEX06	\$8.03
SOLD IN 10FT, 25 FT & 50 FT SECTIONS		

Static-Flex


Part No. HSTATICFLEX00

ALL HOSE DIAMETER IS I.D.

- High quality polyurethane with antistatic properties
- Very durable
- Clear with wire helix
- Temperature range: -20° F to 160° F
- Wall thickness: 0.015

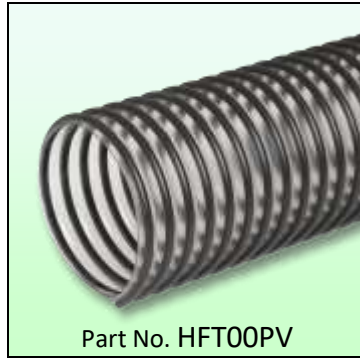
Applications:

- Home/hobby wood shop
- Light commercial wood, dusts & powders
- Powders, plastic pellets

FLEXTUBE PV

DIA	PART #	PRICE/FT
3"	HFT03PV	\$5.52
4"	HFT04PV	\$6.92
5"	HFT05PV	\$9.00
6"	HFT06PV	\$10.93
7"	HFT07PV	\$13.13
8"	HFT08PV	\$16.24
10"	HFT10PV	\$20.59
12"	HFT12PV	\$25.41
PRICED PER FOOT		

Flex-Tube PV



Part No. HFT00PV

ALL HOSE DIAMETER IS I.D.

Standard length(s): 5ft Increments up to 25 ft.
Cut to length as required.

- Clear, Medium weight PVC hose with black helix
- Rigid external PVC helix acts as a wearstrip for longer life
- Ultra smooth interior ensures efficient airflow
- Very flexible & crush resistant
- Temperature Range (°F) 20° to 160°
- Wall thickness .030" (3"), .032" (4"), .035" (5" to 8"), .040" (9" to 12")

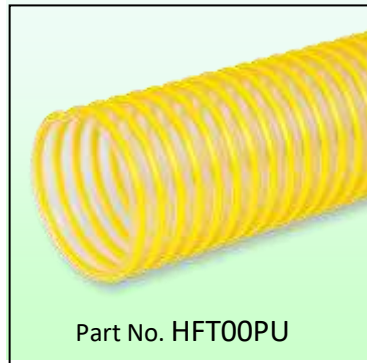
Applications:

- Lawn & leaf collection
- Industrial vacuum cleaners
- Dust collection
- Material handling
- Bridge clamps recommended (see page 22)

FLEXTUBE PU

DIA	PART #	PRICE/FT
3"	HFT03PU	\$10.02
4"	HFT04PU	\$12.86
5"	HFT05PU	\$17.62
6"	HFT06PU	\$18.65
7"	HFT07PU	\$24.18
8"	HFT08PU	\$26.62
10"	HFT10PU	\$31.44
12"	HFT12PU	\$39.28
PRICED PER FOOT		

Flex-Tube PU



Part No. HFT00PU

ALL HOSE DIAMETER IS I.D.

Standard length(s): 5ft Increments up to 25 ft.
Cut to length as required.

- Clear, medium weight thermoplastic ether based polyurethane hose with yellow helix
- Rigid external ABS thermoplastic helix acts as a wearstrip for longer life
- Ultra smooth interior ensures efficient airflow
- Puncture, tear and crush resistant. Good low temperature flexibility
- Temperature Range (°F) -40 to 200°
- Wall Thickness = .033" (3" to 5"), .035" (6" to 8"), .040" (9" to 12")

Applications

- Lawn/leaf collection & mulch blowing
- Dust collection & material handling
- Concrete dust, silica dust, granule transport
- Bridge clamps recommended (see page 22)

TERMS & CONDITIONS

PAYMENT:

MasterCard, Visa, Discover, & American Express accepted. Prices and product availability subject to change without notice.

RETURNS:

20% restocking charge for all returned items. Returned items must be in clean resalable condition. No returns after 30 days. Returns made within 30 days will be issued an in-store credit only. **No returns on custom made items**

WARRANTY:

One year limited warranty on parts and labor. Warranty does not cover normal wear and tear. Warranty does not cover items used improperly. Items must be used in a manner that is fit for that particular purpose. Return shipping paid by customer.

ATEX POLYFLEX 30

DIA	PART #	PRICE/FT
2"	HATEX3002	\$7.70
2.5"	HATEX3002.5	\$8.89
3"	HATEX3003	\$9.01
4"	HATEX3004	\$11.36
5"	HATEX3005	\$13.60
6"	HATEX3006	\$16.79
7"	HATEX3007	\$17.16
8"	HATEX3008	\$17.16
10"	HATEX3010	\$24.27
12"	HATEX3012	\$26.87
14"	HATEX3014	\$33.74
PRICED PER FOOT		

ATEX Polyflex 30


Part No. HATEX3000

ALL HOSE DIAMETER IS I.D.

- ATEX Certified for combustible dusts (wood dusts, powders, plastics).
- Clear, medium duty, high abrasion resistant polyurethane hose with bronze coated steel spring wire helix
- Surface resistant level OHLMS/Square 10⁴10
- Static dissipative
- Flame Retardant
- Use of a swivel ball joint when used on CNC machines extends the life of the hose extensively (see page 11)
- Temperature Range (°F) -25° to 225°
- Wall thickness .030"

Applications:

- Woodworking/Wood dusts
- Powders/Powder coating
- Sand blasting
- Plastic dusts
- CNC Machines
- Bridge clamp recommended. BC00 (see page 24)

Standard length(s): 5 ft. increments up to 50 ft.

ATEX POLYFLEX 30 - METRIC

DIA	PART #	PRICE /FT
60 MM/2.362"	HATEX30060MM	\$7.79
80 MM/3.149"	HATEX30080MM	\$9.23
120MM/4.724"	HATEX300120MM	\$13.39
140MM/5.511"	HATEX300140MM	\$13.71
160MM/6.299"	HATEX300160MM	\$14.25
PRICED PER FOOT		

R-4 FLEXHOSE

DIA	PART #	PRICE/FT
2"	HR402	\$3.95
2.5"	HR402.5	\$5.44
3"	HR403	\$6.06
4"	HR404	\$6.93
5"	HR405	\$7.77
6"	HR406	\$8.12
7"	HR407	\$10.11
8"	HR408	\$11.33
10"	HR410	\$14.35
12"	HR412	\$17.41
PRICED PER FOOT		

R-4


Part No. HR400

ALL HOSE DIAMETER IS I.D.

- Clear, medium weight PVC hose with spring steel wire helix
- Good visibility to notice a blockage
- Good for positive pressure applications
- Great compressibility
- Ideal for dust and woodworking applications
- Manufactured with FDA acceptable materials
- Good chemical and moisture resistance
- Temperature range (F) 20° - 160°
- Wall thickness .025" on 2"-5", .028" on 6" & above

Applications:

- Wood dusts, chips
- Powders
- Fume systems
- Food material handling

Standard length(s): 5 ft increments up to 50 ft.

FLX-20 TOUGH STUFF

DIA	PART #	PRICE/FT
2"	HFLX2002	\$4.76
3"	HFLX2003	\$7.21
4"	HFLX2004	\$9.19
5"	HFLX2005	\$11.04
6"	HFLX2006	\$12.86
7"	HFLX2007	\$14.28
8"	HFLX2008	\$15.68
10"	HFLX2010	\$21.29
12"	HFLX2012	\$25.51
PRICED PER FOOT		

Standard length(s): 5 ft. Increments up to 25 ft.
Other diameters available up to 18"

Flx-20 LD



Part No. HFLX2000

ALL HOSE DIAMETER IS I.D.

- Clear or black , light weight polyurethane hose with bronze coated spring steel wire helix
- Great compressibility, flexibility and abrasion resistance
- Superior chemical resistance
- Temperature Range (°F) -65° to 200°
- Wall thickness .020"

Applications:

- For fine wood dusts & particles
- Vertical panel saws
- Oil mist extraction, vapor recovery
- Coolant recovery, cold air supply
- Sheet metal. Textile fiber extraction, insulation
- Clear hose is manufactured with FDA acceptable materials

FLX-30 TOUGH STUFF

DIA	PART #	PRICE/FT
2"	HFLX3002	\$10.26
3"	HFLX3003	\$12.01
4"	HFLX3004	\$15.16
5"	HFLX3005	\$17.56
6"	HFLX3006	\$18.13
7"	HFLX3007	\$22.38
8"	HFLX3008	\$23.16
10"	HFLX3010	\$32.36
12"	HFLX3012	\$35.82
PRICED PER FOOT		

Standard length(s): 5 ft. Increments up to 50 ft.
Other diameters available up to 24"

Flx-30 MD



Part No. HFLX3000

ALL HOSE DIAMETER IS I.D.

- Clear medium duty polyurethane hose with bronze coated steel wire helix. Black is special order
- Great abrasion resistance with high tear strength
- Superior chemical resistance
- Excellent flexibility
- Temperature Range (°F) -65 to 200°
- Wall Thickness = .030"

Applications:

- CNC routers in woodworking, plastic
- Shapers, moulders
- Sand blasting, sheet metal, granule transport
- Lawn and leaf collection
- Clear hose is manufactured with FDA acceptable materials

FLX-45 TOUGH STUFF

DIA	PART #	PRICE/FT
3"	HFLX4503	\$16.12
4"	HFLX4504	\$20.33
5"	HFLX4505	\$23.57
6"	HFLX4506	\$24.32
8"	HFLX4508	\$32.12
10"	HFLX4510	\$45.42
12"	HFLX4512	\$48.87
PRICED PER FOOT		

Standard length(s): 5 ft. Increments up to 25 ft.
Other diameters available up to 24"

Flx-45 HD



ALL HOSE DIAMETER IS I.D.

- Clear heavy duty polyurethane hose with bronze coated steel wire helix. Black is special order
- Superior abrasion resistance and high tear strength
- Superior chemical resistance
- Excellent flexibility
- Temperature Range (°F) -65° to 200°
- Wall Thickness = .035 (3") .045" (4" I.D. & above)

Applications:

- Leaf collection
- Street sweeping
- Wood chips, band mills
- Grain handling
- Commercial/Municipal vacuuming
- Clear hose is manufactured with FDA acceptable

T-7 MULTI-PURPOSE

DIA	PART #	PRICE/FT
2"	HT702	\$3.95
2.5"	HT702.5	\$5.28
3"	HT703	\$5.88
3.5"	HT703.5	\$7.20
4"	HT704	\$7.62
5"	HT705	\$8.08
6"	HT706	\$8.91
7"	HT707	\$10.18
8"	HT708	\$11.48
10"	HT710	\$15.92
12"	HT712	\$19.05
PRICED PER FOOT		

Standard length(s): 5 ft, increments up to 50 ft.
Other diameters available up to 24"

T-7


Part No. HT700

ALL HOSE DIAMETER IS I.D.

- Black, medium weight thermoplastic rubber hose with spring steel wire helix
- Good abrasion resistance
- Excellent chemical resistance
- Moisture and UV resistant
- Smooth interior wall assures minimal friction loss and efficient airflow
- Temperature Range (°F) -60° to 275°
- Wall thickness .030

Applications:

- Wood dusts, silica dusts
- Fumes, vapors
- Powders
- Plastic dusts, injection molding
- NOT to be used with oil mist or CNC machines

CWGP—INDUSTRIAL

DIA	PART #	PRICE/FT
2"	HCWGP02	\$9.46
3"	HCWGP03	\$10.80
4"	HCWGP04	\$12.37
5"	HCWGP05	\$14.03
6"	HCWGP06	\$15.03
7"	HCWGP07	\$17.00
8"	HCWGP08	\$19.25
10"	HCWGP10	\$24.03
12"	HCWGP12	\$29.13
PRICED PER FOOT		

Standard length(s) 5 ft increments up to 25 ft
Other diameters available up to 24"

CWGP


Part No. HCWGP00

ALL HOSE DIAMETER IS I.D.

- Black, double-ply neoprene coated polyester fabric hose with spring steel wire helix
- Good crush resistance and tensile strength
- Excellent abrasion and chemical resistance
- Good flexibility
- Listed as UL 94V-0 flame retardant
- Temperature Range (°F) -40° to 250°

Applications:

- Wood working
- Plasma Tables
- Grinding
- Sheet metal, aluminum refractory
- Smoke fume removal
- Dust collectors & blow-off applications

R-2 CHEMICAL

DIA	PART #	PRICE/FT
3"	HR203	\$5.88
4"	HR204	\$6.92
5"	HR205	\$7.47
6"	HR206	\$7.93
7"	HR207	\$9.71
8"	HR208	\$11.09
10"	HR210	\$15.65
12"	HR212	\$17.08
PRICED PER FOOT		

Standard length(s): 5 ft. increments up to 50 ft.
14" diameter & above available in 25 ft only.

R-2


Part No. HR200

ALL HOSE DIAMETER IS I.D.

- Blue, light weight PVC hose reinforced with a spring steel wire helix
- Excellent choice for ventilation application, dust & fume removal
- Good chemical and moisture resistance
- Good flexibility w/ tight bending characteristics
- Blue is listed as UL 94V-0 flame retardant
- Temperature Range (°F) 20° to 160°
- Wall thickness .020"

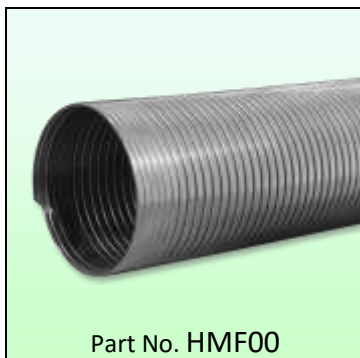
Applications:

- Lab ventilation
- Clean rooms
- Fume Extraction
- Textile lint
- Air duct cleaning

MFH METALFLEX

DIA	PART #	PRICE/FT
2"	HMF02	\$6.93
3"	HMF03	\$8.73
4"	HMF04	\$12.03
5"	HMF05	\$13.40
6"	HMF06	\$16.33
7"	HMF07	\$21.23
8"	HMF08	\$32.46
9"	HMF09	\$38.79
10"	HMF10	\$43.23
PRICED PER FOOT		

MFH



ALL HOSE DIAMETER IS I.D.

- Interlocking galvanized steel
- Ideal for abrasive materials in grinding dusts, heavy wood chips
- Good for high temperature air handling applications, such as higher temperature engine exhaust.
- Good for dry bulk material transfer
- Temperature Range (°F) -10° to 400°
- Wall thickness .016 to .020

Applications:

- Surface grinding
- Welding exhaust
- Heavy wood chips
- Pallets, moulding machines

Standard length(s) 5 ft, 10 ft, 25 ft Increments. Larger diameters available . Special crating required on 10 ft or longer pieces, 5" diameter & up

GS HIGH TEMP

DIA	PART #	PRICE/FT
2"	HGS02	\$15.63
3"	HGS03	\$20.15
4"	HGS04	\$23.84
5"	HGS05	\$28.44
6"	HGS06	\$32.80
8"	HGS08	\$42.87
10"	HGS10	\$51.68
12"	HGS12	\$64.27
PRICED PER FOOT		

GS



ALL HOSE DIAMETER IS I.D.

- Iron Oxide Red, double-ply silicone coated fiberglass fabric hose with spring steel wire helix & external filament fiberglass cord
- Ideal for abrasive materials in grinding dusts, heavy wood chips
- Good for high temperature air handling applications, such as higher temperature engine exhaust.
- Good for dry bulk material transfer
- Resistant to many oils, solvents, ozone, water fungus, alkalis
- Temperature Range (°F) -65° to 550°, Intermittent 600°

Applications:

- Plastic molding, High temp injection molding
- Foundries, brick kilns
- Paper mills
- Oven venting, exhaust systems
- Hot fumes
- Transmission cooling

Standard length(s) 12 ft only

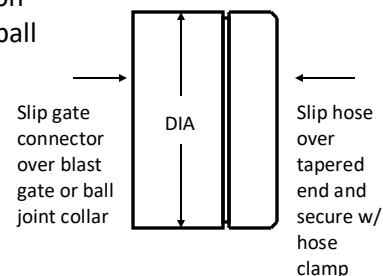
HOSE TO GATE CONNECTOR

Hose to Gate Connector

DIA	PART #	PRICE
2.5"	HGC2.5	\$5.04
3"	HGC03	\$5.53
4"	HGC04	\$5.68
5"	HGC05	\$5.97
6"	HGC06	\$6.31
7"	HGC07	\$6.89
8"	HGC08	\$7.77
10"	HGC10	\$11.54
12"	HGC12	\$13.65



- Used to provide an extended external lip for hose connection to a blast gate or ball joint



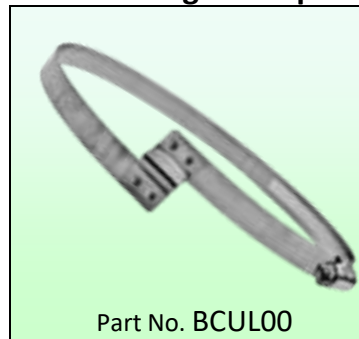
CCW BRIDGE CLAMP

Counter Clockwise Bridge Clamp

DIA	PART #	PRICE
4"	BCUL04	\$5.96
5"	BCUL05	\$6.54
6"	BCUL06	\$8.14
7"	BCUL07	\$9.24
8"	BCUL08	\$10.00
10"	BCUL10	\$11.76
12"	BCUL12	\$16.96

Use with Flextube PV, TR & PU

CCW Bridge Clamps



Part No. BCUL00

"Left Hand"

- Bridge clamp for all Flex-Tube hose
- Conforms over wire helix for a more secure fit
- All stainless steel construction
- Available up to 12" diameter



CW BRIDGE CLAMP

Clockwise Bridge Clamp

DIA	PART #	PRICE
2"	BC02	\$5.04
2.5"	BC02.5	\$5.46
3"	BC03	\$5.46
4"	BC04	\$5.96
5"	BC05	\$6.54
6"	BC06	\$8.14
7"	BC07	\$9.24
8"	BC08	\$10.00
10"	BC10	\$11.76
12"	BC12	\$16.96
14"	BC14	\$17.39
16"	BC16	\$17.83

CW Bridge Clamps



Part No. BC00

"Right Hand"

- For all hose except Flex-Tube hose
- All stainless steel construction
- Available up to 20" diameter



HOSE CLAMP

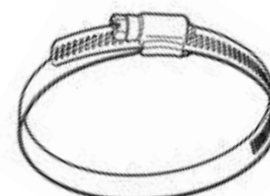
DIA	PART #	PRICE
2"	HC02	\$2.29
3"	HC03	\$2.29
4"	HC04	\$3.70
5"	HC05	\$3.70
6"	HC06	\$4.59
7"	HC07	\$5.49
8"	HC08	\$6.88
10"	HC10	\$7.79
12"	HC12	\$11.22
14"	HC14	\$12.03
16"	HC16	\$13.60
18"	HC18	\$14.42
20"	HC20	\$15.49

Hose Clamp



Part No. HC00

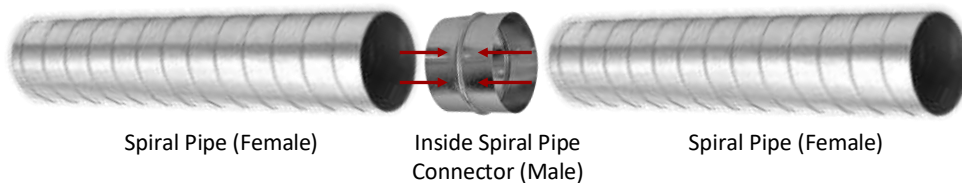
- Standard worm drive
- Usable with hose having a low profile helix
- All stainless steel construction
- Available up to 20" diameter



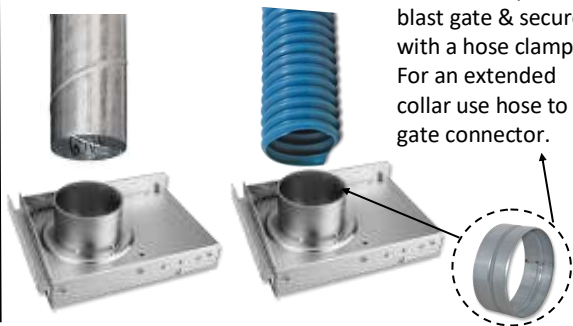
Spiral Pipe & Fittings Installation Instructions



Male connectors are used for pipe to pipe connection. Spiral pipe slips over male connector. All spiral pipe is female.

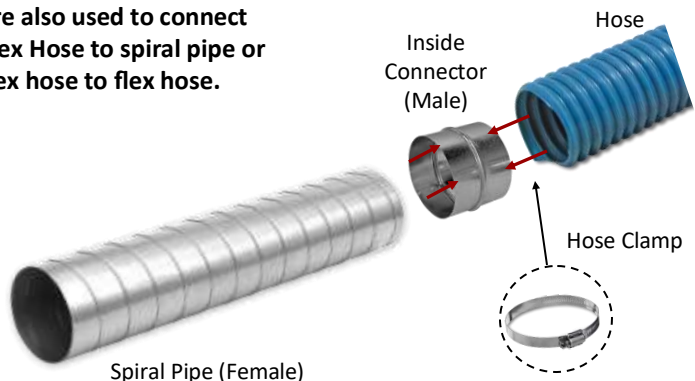


Spiral pipe or Hose to Blast Gate is a slip fit connection.



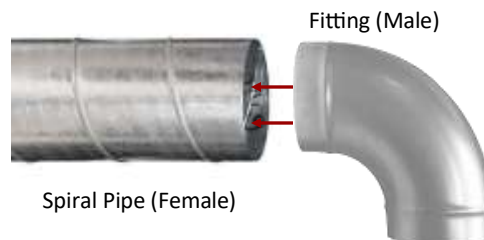
Flex Hose slips over blast gate & secured with a hose clamp. For an extended collar use hose to gate connector.

Spiral pipe connectors are also used to connect Flex Hose to spiral pipe or flex hose to flex hose.



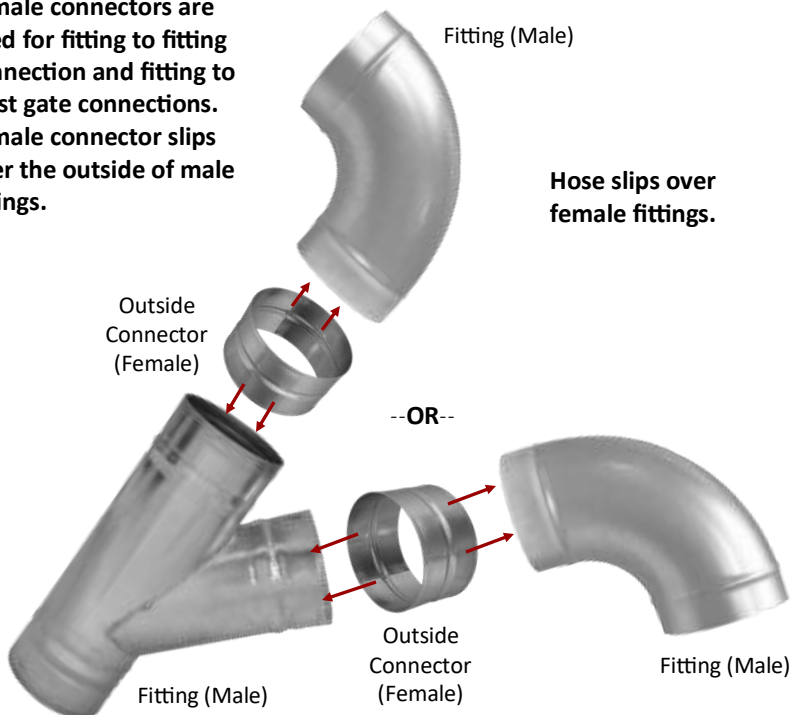
Secure hose connection to spiral pipe connector with a hose clamp or bridge clamp

Connectors are not needed for pipe to fitting connection because all fittings are male which automatically creates a slip fit connection into spiral pipe.



All fittings are undersized for a "slip-fit" connection. Ex. 3" Dia. = 2-7/8" O.D.

Female connectors are used for fitting to fitting connection and fitting to blast gate connections. Female connector slips over the outside of male fittings.



Hose slips over female fittings.

Secure slip-fit connections by installing short sheet metal screws or pop rivets. (see pg. 1)



Sheet Metal Screws

Our vinyl seal duct tape is recommended to seal air tight. (See pg. 8)



Vinyl Seal Duct Tape

Our silicone sealant is an alternative option to vinyl seal tape and available in aluminum and clear color (See pg. 8)



Silicone Sealant

Note: An alternative option to a female (outside) connector is to cut a 4" piece of spiral pipe and utilize as a connector for fittings.

THE BlastGate CO.

14219 EAST TEN MILE ROAD

WARREN, MI 48089-2162

1-877-904-4022 FAX: 586-776-8532

sales@blastgateco.com

