

HD HEAVY DUTY 12, 14, 16 & 18 GA. DUCT SYSTEMS

PRICE CATALOG 2019

DESIGNED FOR HEAVY DUTY DUCT SYSTEMS



PAGE 1

WELDED PIPE



PAGE 2

ANGLE RINGS



PAGE 3

45° BRANCHES



PAGE 4

Y-BRANCHES



PAGE 5

45 DEG. & 90 DEG.
ELBOWS



PAGE 6

DOUBLE BRANCHES



PAGE 7

IN-CUTS



PAGE 8

END PLATES



PAGE 9

MACHINE ADAPTERS



PAGE 10

HOSE ADAPTERS



PAGE 11

SQUARE TO ROUND
TRANSITIONS



PAGE 12

REDUCERS



PAGE 13

CUSTOM MANIFOLDS



PAGE 15

HD MANUAL BLAST GATES



PAGE 16

Double CYL.
Compact Series
HD AUTOMATIC BLAST GATES

HEAVY DUTY COMMERCIAL & INDUSTRIAL HOSE



PAGE 14

ATEX POLYFLEX 30
ANTISTATIC

FLX-45 HD
TOUGH STUFF

MFH
METAL FLEX

Angle Flange Pipe

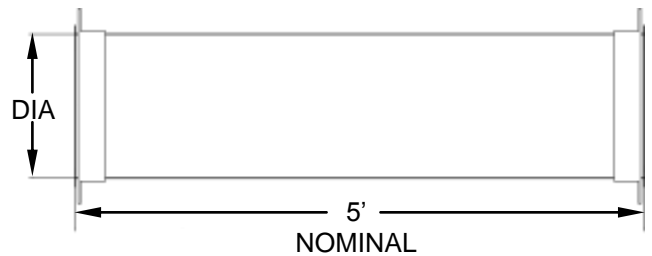


PART NO. HDPIPE00-XX

- Galvanized 18 ga, 16 ga, 14 ga & 12 ga pipe available
- Vanstone ends with rotational angle flange is standard. Optional angle flange welded solid or ring loose for field welding
- 5 Ft. sections standard. Customs lengths available
- Continuously seam welded pipe
- Specify diameter, gauge and type of connection

ANGLE FLANGE PIPE

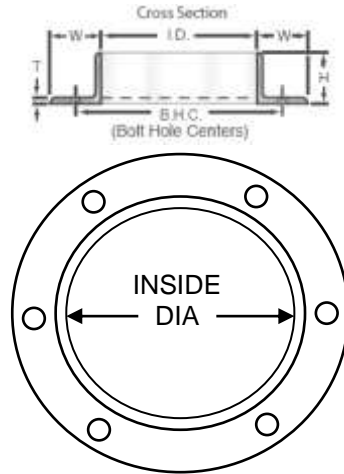
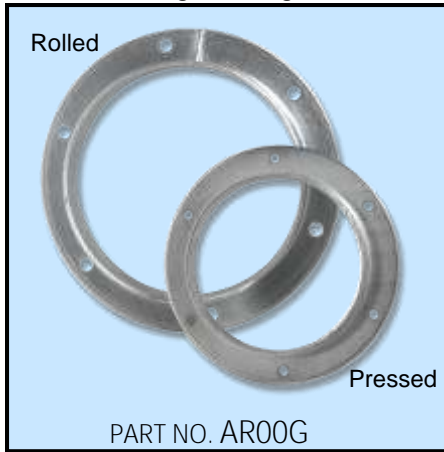
DIA	PART #	5 FT. 18 GA	5 FT. 16 GA	5 FT. 14 GA	5 FT. 12 GA
3"	HDPIPE03	CALL	CALL	CALL	CALL
4"	HDPIPE04	CALL	CALL	CALL	CALL
5"	HDPIPE05	CALL	CALL	CALL	CALL
6"	HDPIPE06	\$59.73	\$68.69	CALL	CALL
8"	HDPIPE08	\$101.90	\$107.26	\$112.90	\$133.33
10"	HDPIPE10	\$119.59	\$125.88	\$132.50	\$152.60
12"	HDPIPE12	\$150.00	\$157.89	\$166.20	\$190.30
14"	HDPIPE14	\$188.80	\$198.55	\$209.20	\$240.20
16"	HDPIPE16	\$190.00	\$257.66	\$287.00	\$327.20
18"	HDPIPE18	\$192.20	\$271.22	\$315.50	\$359.90
20"	HDPIPE20	\$230.80	\$285.50	\$371.80	\$425.00
22"	HDPIPE22	\$255.10	\$300.53	\$407.70	\$466.60
24"	HDPIPE24	\$293.60	\$316.35	\$457.40	\$525.10
26"	HDPIPE26	CALL	\$333.00	\$458.70	\$521.70
28"	HDPIPE28	CALL	\$361.40	\$498.70	\$567.30
30"	HDPIPE30	CALL	\$416.10	\$580.60	\$662.70
32"	HDPIPE32	CALL	\$433.80	\$604.60	\$690.00
34"	HDPIPE34	CALL	\$481.80	\$675.80	\$773.00
36"	HDPIPE36	CALL	\$514.70	\$722.90	\$827.00
38"	HDPIPE38	CALL	\$569.40	\$741.90	\$846.30
40"	HDPIPE40	CALL	\$657.20	\$778.60	\$888.50
42"	HDPIPE42	CALL	\$722.92	\$863.80	\$987.90
44"	HDPIPE44	CALL	\$795.21	\$904.80	\$1,034.90
46"	HDPIPE46	CALL	\$874.73	\$944.50	\$1,080.40
48"	HDPIPE48	CALL	\$962.20	\$986.00	\$1,128.00



PART NUMBER: HDPIPE - DIAMETER - GAUGE

EX: HDPIPE08-18, HDPIPE08-16, HDPIPE0814, HDPIPE08-12

Angle Rings



- Galvanized standard
- Mild steel & stainless steel available
- Rubber gaskets available
- 3" to 5" pressed
- 6" and up rolled
- Fasteners not included
- Flat flange available with custom whole pattern

SIZE	PART #	INSIDE DIA	HEIGHT	WIDTH	THICKNESS	BOLT HOLE CENTERS	NO. OF BOLT HOLES	SIZE OF BOLT HOLES	WT.	PRICE GALV.
3"	AR03G	3-1/16"	7/8"	1"	10 ga.	4-5/16"	6	9/32"	0.70	\$13.53
4"	AR04G	4 -1/16"	15/16"	1"	10 ga.	5-5/16"	6	9/32"	0.85	\$14.83
5"	AR05G	5-1/16"	1"	1"	10 ga.	6-5/16"	6	9/32"	1.20	\$15.50
6"	AR06G	6-1/8"	1-1/4"	1-1/4"	1/8"	7-5/16"	6	3/8"	1.75	\$17.96
7"	AR07G	7-1/8"	1-1/4"	1-1/4"	1/8"	8-1/2"	6	3/8"	2.00	\$20.24
8"	AR08G	8-1/8"	1-1/4"	1-1/4"	1/8"	9-9/16"	6	3/8"	2.25	\$17.60
9"	AR09G	9-1/8"	1-1/8"	1 1/4"	1/8"	10-5/8"	6	3/8"	2.50	\$18.46
10"	AR10G	10-1/8"	1-1/4"	1-1/4"	1/8"	11-13/16"	6	3/8"	2.75	\$21.66
11"	AR11G	11-1/8"	1-1/4"	1-1/4"	1/8"	12-3/4"	6	3/8"	3.00	\$23.99
12"	AR12G	12-1/8"	1-1/2"	1-1/2"	1/8"	14"	8	7/16"	4.00	\$31.38
13"	AR13G	13-1/8"	1-1/2"	1-1/2"	1/8"	15"	8	7/16"	4.25	\$34.55
14"	AR14G	14-1/8"	1-1/2"	1-1/2"	1/8"	16"	8	7/16"	4.75	\$37.05
15"	AR15G	15-1/8"	1-1/2"	1-1/2"	1/8"	17"	8	7/16"	5.00	\$37.94
16"	AR16G	16-1/8"	1-1/2"	1-1/2"	3/16"	18"	8	7/16"	8.00	\$42.37
17"	AR17G	17-1/8"	1-1/2"	1-1/2"	3/16"	19"	8	7/16"	8.25	\$43.70
18"	AR18G	18-1/8"	1-1/2"	1-1/2"	3/16"	20"	8	7/16"	8.50	\$48.15
20"	AR20G	20-1/8"	1-1/2"	1-1/2"	3/16"	21-3/4"	12	7/16"	9.50	\$56.18
22"	AR22G	22-1/8"	1-1/2"	1-1/2"	3/16"	23-3/4"	12	7/16"	10.75	\$60.47
24"	AR24G	24-1/8"	1-1/2"	1-1/2"	3/16"	25-7/8"	12	7/16"	11.50	\$67.75
26"	AR26G	26-1/8"	2"	2"	3/16"	28-3/8"	16	7/16"	15.50	\$87.72
28"	AR28G	28-1/8"	2"	2"	3/16"	30-3/8"	16	7/16"	18.00	\$104.98
30"	AR30G	30-1/8"	2"	2"	3/16"	32-3/8"	16	7/16"	19.50	\$104.98
32"	AR32G	32-1/8"	2"	2"	3/16"	34-3/8"	16	7/16"	20.00	\$106.09
34"	AR34G	34-1/8"	2"	2"	3/16"	36-3/8"	16	7/16"	22.50	\$109.53
36"	AR36G	36-1/8"	2"	2"	3/16"	38-3/8"	16	7/16"	23.00	\$122.98
38"	AR38G	38-1/8"	2"	2"	3/16"	40-3/8"	24	7/16"	24.50	\$124.28
40"	AR40G	40-1/8"	2"	2"	3/16"	42-3/8"	24	7/16"	25.75	\$160.40
42"	AR42G	42-1/8"	2"	2"	3/16"	44-3/8"	24	7/16"	26.50	\$164.90
44"	AR44G	44-1/8"	2"	2"	3/16"	46-3/8"	24	7/16"	28.00	\$173.60
46"	AR46G	46-1/8"	2"	2"	3/16"	48-3/8"	24	7/16"	29.00	\$181.50
48"	AR48G	48-1/8"	2"	2"	3/16"	50-3/8"	24	7/16"	30.75	\$189.50

45° Branch (Lateral Wye)



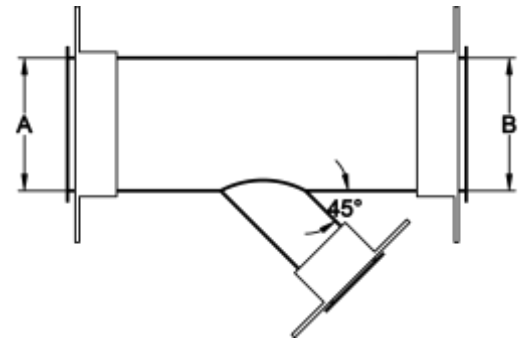
PART NO. HDB00-00-00-XX

- Galvanized 18 ga, 16 ga, 14 ga & 12 ga Branches
- All branches price by largest end A
- Specify A, B dia. and C tap dia.
- Vanstone ends with rotational angle flange is standard
- 45 Degree tap standard. 30 Degree is available
- Continuously seam welded

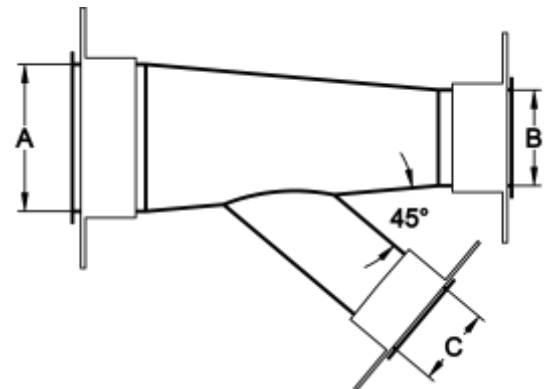
45° BRANCH

DIA	PART #	18 GA	16 GA	14 GA	12 GA
8"	HDB08-XX-XX-XX	\$201.45	CALL	\$248.70	\$307.60
10"	HDB10-XX-XX-XX	\$227.45	CALL	\$280.70	\$329.20
12"	HDB12-XX-XX-XX	\$264.30	CALL	\$326.30	\$380.20
14"	HDB14-XX-XX-XX	\$309.58	CALL	\$382.20	\$445.50
16"	HDB16-XX-XX-XX	\$382.64	CALL	\$472.40	\$545.20
18"	HDB18-XX-XX-XX	\$416.75	CALL	\$514.50	\$593.60
20"	HDB20-XX-XX-XX	\$492.97	CALL	\$608.60	\$703.90
22"	HDB22-XX-XX-XX	\$599.48	CALL	\$740.10	\$860.00
24"	HDB24-XX-XX-XX	\$675.22	CALL	\$833.60	\$971.50
26"	HDB26-XX-XX-XX	CALL	\$768.42	\$853.80	\$987.60
28"	HDB28-XX-XX-XX	CALL	\$965.79	\$1,073.10	\$1,248.00
30"	HDB30-XX-XX-XX	CALL	\$1,081.17	\$1,201.30	\$1,399.10
32"	HDB32-XX-XX-XX	CALL	\$1,204.11	\$1,337.90	\$1,560.90
34"	HDB34-XX-XX-XX	CALL	\$1,334.88	\$1,483.20	\$1,732.30
36"	HDB36-XX-XX-XX	CALL	\$1,465.56	\$1,628.40	\$1,903.70
38"	HDB38-XX-XX-XX	CALL	\$1,613.34	\$1,792.60	\$2,095.70
40"	HDB40-XX-XX-XX	CALL	\$1,733.85	\$1,926.50	\$2,254.00
42"	HDB42-XX-XX-XX	CALL	\$1,804.95	\$2,005.50	\$2,346.00
44"	HDB44-XX-XX-XX	CALL	\$1,890.72	\$2,100.80	\$2,457.50
46"	HDB46-XX-XX-XX	CALL	\$1,974.78	\$2,194.20	\$2,567.10
48"	HDB48-XX-XX-XX	CALL	\$2,061.18	\$2,290.20	\$2,679.40
PART NUMBER: HDB - A DIA, B DIA, C DIA - GAUGE					
EX. HDB080808-18, HDB080808-16, HDB080808-14, HDB080808-12					

STRAIGHT BRANCH



REDUCING BRANCH



Y-Branch (True Wye)

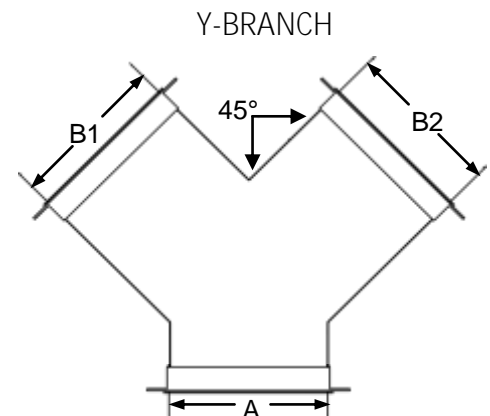


PART NO. HDY00-00-00-XX

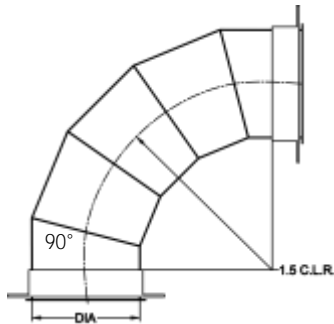
- Galvanized 18 ga, 16 ga, 14 ga & 12 ga Branches
- All branches price by largest end A
- Specify A, B1, & B2 dia.
- Vanstone ends with rotational angle flange is standard
- Continuously seam welded

Y-BRANCH

DIA	PART #	18 GA	16 GA	14 GA	12 GA
8"	HDY08-XX-XX-XX	\$261.63	CALL	\$323.00	\$402.40
10"	HDY10-XX-XX-XX	\$283.91	CALL	\$350.50	\$412.80
12"	HDY12-XX-XX-XX	\$336.47	CALL	\$415.40	\$487.30
14"	HDY14-XX-XX-XX	\$403.06	CALL	\$497.60	\$583.80
16"	HDY16-XX-XX-XX	\$476.85	CALL	\$588.70	\$684.90
18"	HDY18-XX-XX-XX	\$528.12	CALL	\$652.00	\$758.60
20"	HDY20-XX-XX-XX	\$620.95	CALL	\$766.60	\$893.60
22"	HDY22-XX-XX-XX	\$704.46	CALL	\$869.70	\$1,015.50
24"	HDY24-XX-XX-XX	\$796.23	CALL	\$983.00	\$1,150.80
26"	HDY26-XX-XX-XX	CALL	\$951.03	\$1,056.70	\$1,231.00
28"	HDY28-XX-XX-XX	CALL	\$1,086.75	\$1,207.50	\$1,409.20
30"	HDY30-XX-XX-XX	CALL	\$1,192.23	\$1,324.70	\$1,547.00
32"	HDY32-XX-XX-XX	CALL	\$1,307.88	\$1,453.20	\$1,699.20
34"	HDY34-XX-XX-XX	CALL	\$1,437.93	\$1,597.70	\$1,869.70
36"	HDY36-XX-XX-XX	CALL	\$1,570.50	\$1,745.00	\$2,043.70
38"	HDY38-XX-XX-XX	CALL	\$1,719.00	\$1,910.00	\$2,236.70
40"	HDY40-XX-XX-XX	CALL	\$1,860.30	\$2,067.00	\$2,422.60
42"	HDY42-XX-XX-XX	CALL	\$1,954.80	\$2,172.00	\$2,545.70
44"	HDY44-XX-XX-XX	CALL	\$2,047.68	\$2,275.20	\$2,666.90
46"	HDY46-XX-XX-XX	CALL	\$2,138.85	\$2,376.50	\$2,785.80
48"	HDY48-XX-XX-XX	CALL	\$2,232.45	\$2,480.50	\$2,907.80
PART NUMBER: HDY - A DIA - B1 DIA, B2 DIA - GAUGE					
EX. HDY080808-18, HDY262626-16, HDY080808-14, HDY080808-12					

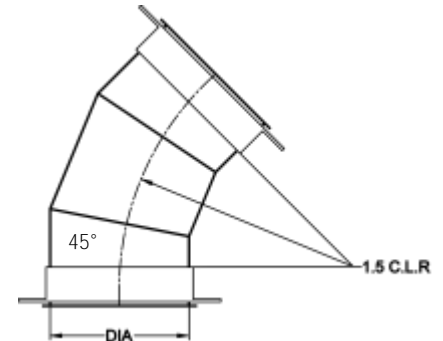


90° Elbow



- Galvanized 18 ga, 16 ga, 14 ga & 12 ga
- Vanstone ends with rotational angle flange is standard
- 1.5 CLR standard
- Continuously seam welded
- Specify diameter and gauge
- Longer radius elbows available

45° Elbow



90° ELBOW

DIA	PART #	18 GA	16 GA	14 GA	12 GA
8"	HDEL908	\$197.15	CALL	\$243.40	\$297.50
10"	HDEL910	\$215.22	CALL	\$265.70	\$310.70
12"	HDEL912	\$277.83	CALL	\$343.00	\$400.30
14"	HDEL914	\$298.00	CALL	\$367.90	\$428.70
16"	HDEL916	\$327.97	CALL	\$404.90	\$467.30
18"	HDEL918	\$442.67	CALL	\$546.50	\$634.30
20"	HDEL920	\$513.05	CALL	\$633.40	\$735.70
22"	HDEL922	\$644.36	CALL	\$795.50	\$927.00
24"	HDEL924	\$731.67	CALL	\$903.30	\$1,054.50
26"	HDEL926	CALL	\$1,096.29	\$1,218.10	\$1,423.40
28"	HDEL928	CALL	\$1,356.84	\$1,507.60	\$1,765.40
30"	HDEL930	CALL	\$1,388.25	\$1,542.50	\$1,805.10
32"	HDEL932	CALL	\$1,763.64	\$1,959.60	\$2,299.10
34"	HDEL934	CALL	\$2,017.53	\$2,241.70	\$2,632.30
36"	HDEL936	CALL	\$2,304.72	\$2,560.80	\$3,009.60
38"	HDEL938	CALL	\$2,492.28	\$2,769.20	\$3,253.60
40"	HDEL940	CALL	\$2,682.81	\$2,980.90	\$3,503.80
42"	HDEL942	CALL	\$2,897.46	\$3,219.40	\$3,748.30
44"	HDEL944	CALL	\$3,006.18	\$3,340.20	\$3,926.70
46"	HDEL946	CALL	\$3,141.54	\$3,490.60	\$4,103.80
48"	HDEL948	CALL	\$3,278.43	\$3,642.70	\$4,282.60

PART NUMBER: HDEL - 9 - DIAMETER - GAUGE
 EX. HDEL908-18, HDEL926-16, HDEL908-14, HDEL908-12

45° ELBOW

DIA	PART #	18 GA	16 GA	14 GA	12 GA
8"	HDEL408	\$143.86	CALL	\$177.60	\$212.80
10"	HDEL410	\$155.36	CALL	\$191.80	\$223.10
12"	HDEL412	\$172.94	CALL	\$213.50	\$246.40
14"	HDEL414	\$188.89	CALL	\$233.20	\$268.60
16"	HDEL416	\$264.22	CALL	\$326.20	\$373.80
18"	HDEL418	\$300.59	CALL	\$371.10	\$425.90
20"	HDEL420	\$353.97	CALL	\$437.00	\$502.60
22"	HDEL422	\$400.38	CALL	\$494.30	\$569.50
24"	HDEL424	\$451.09	CALL	\$556.90	\$643.40
26"	HDEL426	CALL	\$750.69	\$834.10	\$967.40
28"	HDEL428	CALL	\$936.72	\$1,040.80	\$1,211.10
30"	HDEL430	CALL	\$1,003.14	\$1,114.60	\$1,296.90
32"	HDEL432	CALL	\$1,115.46	\$1,239.40	\$1,443.80
34"	HDEL434	CALL	\$1,196.55	\$1,329.50	\$1,548.90
36"	HDEL436	CALL	\$1,331.28	\$1,479.20	\$1,725.00
38"	HDEL438	CALL	\$1,445.58	\$1,606.20	\$1,872.70
40"	HDEL440	CALL	\$1,553.67	\$1,726.30	\$2,013.90
42"	HDEL442	CALL	\$1,660.05	\$1,844.50	\$2,152.50
44"	HDEL444	CALL	\$1,738.98	\$1,932.20	\$2,254.80
46"	HDEL446	CALL	\$1,816.74	\$2,018.60	\$2,356.00
48"	HDEL448	CALL	\$1,905.97	\$2,016.90	\$2,458.80

PART NUMBER: HDEL - 4 - DIAMETER - GAUGE
 EX. HDEL408-18, HDEL408-16, HDEL408-14, HDEL408-12

Double Branch

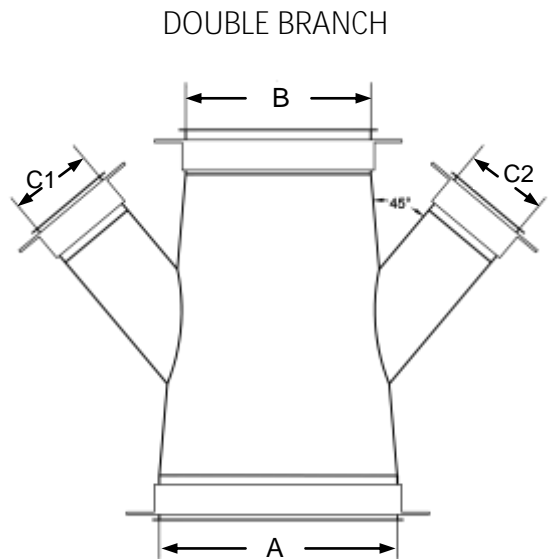


PART NO. HDDB00-00-00-XX

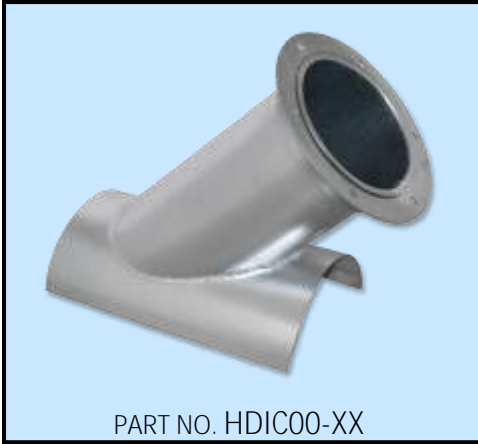
- Galvanized 18 ga, 16 ga, 14 ga & 12 ga
- All branches price by largest end A
- Specify A, B dia. and C1 & C2 taps dia.
- Vanstone ends with rotational angle flange is standard
- 45 Degree tap standard. 30 Degree is available
- Continuously seam welded

DOUBLE BRANCH

DIA	PART #	18 GA	16 GA	14 GA	12 GA
8"	HDDB08-XX-XX-XX-XX	\$269.08	CALL	\$332.20	\$412.20
10"	HDDB10-XX-XX-XX-XX	\$293.06	CALL	\$361.80	\$424.00
12"	HDDB12-XX-XX-XX-XX	\$350.41	CALL	\$432.60	\$504.00
14"	HDDB14-XX-XX-XX-XX	\$419.09	CALL	\$517.40	\$603.50
16"	HDDB16-XX-XX-XX-XX	\$504.31	CALL	\$622.60	\$718.20
18"	HDDB18-XX-XX-XX-XX	\$558.17	CALL	\$689.10	\$795.30
20"	HDDB20-XX-XX-XX-XX	\$654.24	CALL	\$807.70	\$934.10
22"	HDDB22-XX-XX-XX-XX	\$739.69	CALL	\$913.20	\$1,058.40
24"	HDDB24-XX-XX-XX-XX	\$831.71	CALL	\$1,026.80	\$1,193.80
26"	HDDB26-XX-XX-XX-XX	CALL	\$1,002.24	\$1,113.60	\$1,287.10
28"	HDDB28-XX-XX-XX-XX	CALL	\$1,141.92	\$1,268.80	\$1,469.40
30"	HDDB30-XX-XX-XX-XX	CALL	\$1,251.00	\$1,390.00	\$1,611.20
32"	HDDB32-XX-XX-XX-XX	CALL	\$1,369.62	\$1,521.80	\$1,766.50
34"	HDDB34-XX-XX-XX-XX	CALL	\$1,503.54	\$1,670.60	\$1,941.20
36"	HDDB36-XX-XX-XX-XX	CALL	\$1,639.53	\$1,821.70	\$2,118.90
38"	HDDB38-XX-XX-XX-XX	CALL	\$1,750.05	\$1,944.50	\$2,259.50
40"	HDDB40-XX-XX-XX-XX	CALL	\$1,838.97	\$2,043.30	\$2,374.80
42"	HDDB42-XX-XX-XX-XX	CALL	\$1,929.87	\$2,144.30	\$2,492.40
44"	HDDB44-XX-XX-XX-XX	CALL	\$2,021.67	\$2,246.30	\$2,610.90
46"	HDDB46-XX-XX-XX-XX	CALL	\$2,110.86	\$2,345.40	\$2,726.70
48"	HDDB48-XX-XX-XX-XX	CALL	\$2,203.47	\$2,448.30	\$2,846.20
PART NUMBER: HDDB - DIA A, DIA B, TAP DIA C1 & C2 - GAUGE					
EX. HDDB080808-18, HDDB262626-16, HDDB080808-14, HDDB080808-12					



In-Cut

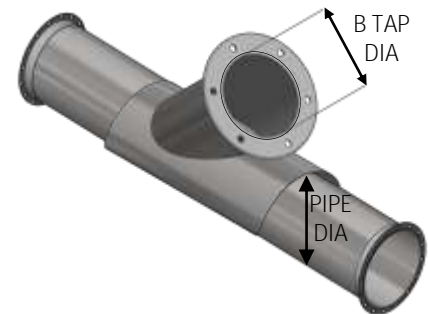
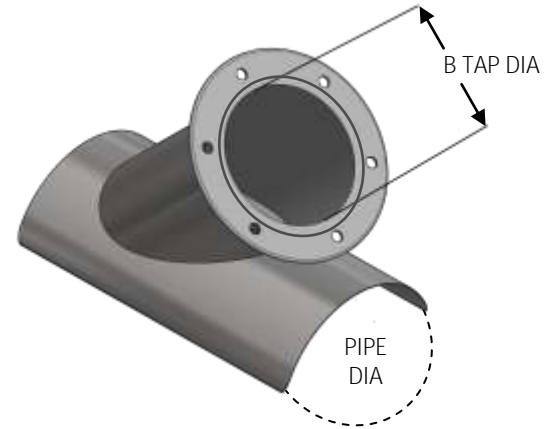


- Galvanized 18 ga, 16 ga, 14 ga & 12 ga
- In-cut used to cut into existing lines
- Priced by tap diameter
- Specify tap dia. and pipe dia.
- Vanstone ends with rotational angle flange is standard
- 45 Degree tap standard
- Continuously seam welded

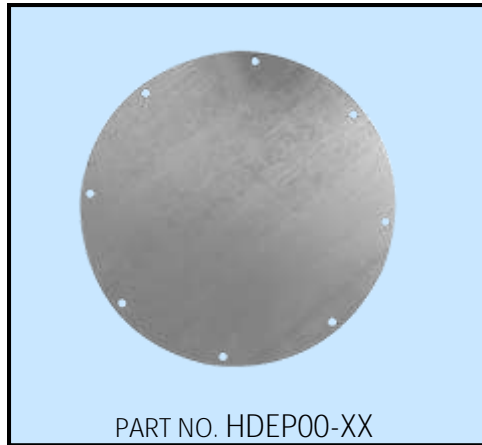
IN-CUT SADDLE

DIA	PART #	18 GA	16 GA	14 GA	12 GA
8"	HDIC08-XX-XX	\$94.28	CALL	\$116.40	\$144.10
10"	HDIC10-XX-XX	\$107.24	CALL	\$132.40	\$156.20
12"	HDIC12-XX-XX	\$119.72	CALL	\$147.80	\$173.50
14"	HDIC14-XX-XX	\$135.68	CALL	\$167.50	\$196.60
16"	HDIC16-XX-XX	\$162.24	CALL	\$200.30	\$233.10
18"	HDIC18-XX-XX	\$179.74	CALL	\$221.90	\$258.20
20"	HDIC20-XX-XX	\$270.46	CALL	\$333.90	\$391.80
22"	HDIC22-XX-XX	\$360.86	CALL	\$445.50	\$525.50
24"	HDIC24-XX-XX	\$410.51	CALL	\$506.80	\$598.50
26"	HDIC26-XX-XX	CALL	\$492.48	\$547.20	\$661.00
28"	HDIC28-XX-XX	CALL	\$538.83	\$598.70	\$723.00
30"	HDIC30-XX-XX	CALL	\$597.33	\$663.70	\$801.40
32"	HDIC32-XX-XX	CALL	\$656.64	\$729.60	\$880.70
34"	HDIC34-XX-XX	CALL	\$800.37	\$889.30	\$1,072.60
36"	HDIC36-XX-XX	CALL	\$883.89	\$982.10	\$1,184.40
38"	HDIC38-XX-XX	CALL	\$931.32	\$1,034.80	\$1,248.20
40"	HDIC40-XX-XX	CALL	\$980.37	\$1,089.30	\$1,313.90
42"	HDIC42-XX-XX	CALL	\$1,010.16	\$1,122.40	\$1,326.80
44"	HDIC44-XX-XX	CALL	\$1,058.31	\$1,175.90	\$1,389.90
46"	HDIC46-XX-XX	CALL	\$1,105.83	\$1,228.70	\$1,452.50
48"	HDIC48-XX-XX	CALL	\$1,154.07	\$1,282.30	\$1,515.90

PART NUMBER: HDIC - TAP DIA - PIPE DIA - GAUGE
 EX. HDIC0814-18, HDIC0814-16, HDIC0814-14, HDIC0814-12



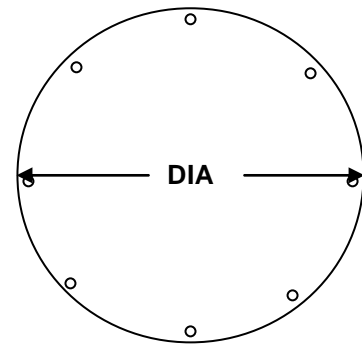
End Plate



- Galvanized 18ga, 16 ga, 14 ga & 12 ga
- Flanged end plates are flat plates with angle flange hole pattern
- Specify diameter and gauge

END PLATES

DIA	PART #	18 GA	16 GA	14 GA	12 GA
8"	HDEP08	\$14.01	CALL	\$17.30	\$20.70
10"	HDEP10	\$18.47	CALL	\$22.80	\$24.60
12"	HDEP12	\$24.24	CALL	\$29.80	\$32.10
14"	HDEP14	\$29.97	CALL	\$37.00	\$39.90
16"	HDEP16	\$40.91	CALL	\$50.50	\$54.40
18"	HDEP18	\$43.25	CALL	\$53.40	\$57.50
20"	HDEP20	\$45.44	CALL	\$56.10	\$60.40
22"	HDEP22	\$50.46	CALL	\$62.30	\$67.20
24"	HDEP24	\$54.19	CALL	\$66.90	\$72.20
26"	HDEP26	CALL	\$83.79	\$93.10	\$100.50
28"	HDEP28	CALL	\$92.34	\$102.60	\$110.70
30"	HDEP30	CALL	\$101.07	\$112.30	\$121.20
32"	HDEP32	CALL	\$106.11	\$117.90	\$127.30
34"	HDEP34	CALL	\$114.75	\$127.50	\$137.50
36"	HDEP36	CALL	\$118.17	\$131.30	\$141.60
38"	HDEP38	CALL	\$123.88	\$133.20	\$143.70
40"	HDEP40	CALL	\$128.43	\$142.70	\$154.00
42"	HDEP42	CALL	\$132.12	\$146.80	\$158.40
44"	HDEP44	CALL	\$139.05	\$154.50	\$166.50
46"	HDEP46	CALL	\$145.26	\$161.40	\$174.30
48"	HDEP48	CALL	\$151.83	\$168.70	\$182.00
PART NUMBER: HDEP - DIAMETER - GAUGE EX. HDEP08-18, HDEP08-16, HDEP08-14, HDEP08-12					



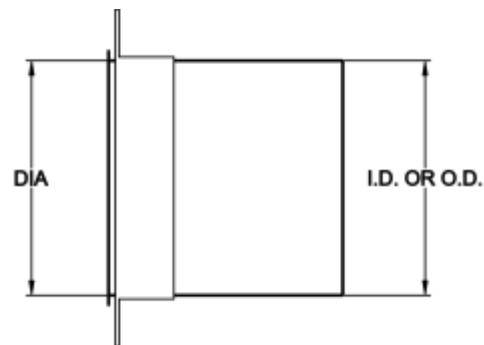
Machine Adapter



- Galvanized 18 ga, 16 ga, 14 ga & 12 ga
- Standard style is one end raw, other end with angle flange
- Vanstone ends with rotational angle flange is standard
- Please specify I.D. or O.D.

MACHINE ADAPTERS

DIA	PART #	18 GA	16 GA	14 GA
8"	HDMA08XX	\$48.46	\$51.02	\$53.70
10"	HDMA10XX	\$54.60	\$57.48	\$60.50
12"	HDMA12XX	\$57.94	\$60.99	\$64.20
14"	HDMA14XX	\$61.55	\$64.79	\$68.20
16"	HDMA16XX	\$64.44	\$67.83	\$71.40
18"	HDMA18XX	\$71.12	\$74.86	\$78.80
20"	HDMA20XX	\$73.46	\$77.33	\$81.40
22"	HDMA22XX	\$80.68	\$84.93	\$89.40
24"	HDMA24XX	\$93.05	\$97.95	\$103.10
PART NUMBER: HDMA - DIAMETER - GAUGE EX. HDMA08-18, HMA08-16, HDMA08-14				



Hose Adapter

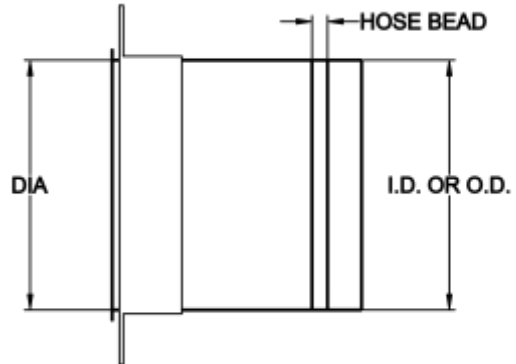


- Galvanized 18 ga, 16 ga, 14 ga & 12 ga
- Standard style is one end raw, other end with angle flange
- Vanstone ends with rotational angle flange is standard
- Used to connect rubber flex hose
- Not designed for use with metal flex hose
- Please specify I.D. or O.D.

NOTE: All hose diameter is I.D. (See page 14)

HOSE ADAPTERS

DIA	PART #	18 GA	16 GA	14 GA
8"	HDHA08XX	\$49.37	\$51.97	\$54.70
10"	HDHA10XX	\$55.59	\$58.52	\$61.60
12"	HDHA12XX	\$59.57	\$62.70	\$66.00
14"	HDHA14XX	\$62.72	\$66.03	\$69.50
16"	HDHA16XX	\$65.61	\$69.07	\$72.70
18"	HDHA18XX	\$72.38	\$76.19	\$80.20
20"	HDHA20XX	\$74.82	\$78.76	\$82.90
22"	HDHA22XX	\$82.31	\$86.64	\$91.20
24"	HDHA24XX	\$94.49	\$99.47	\$104.70
PART NUMBER: HDHA - DIAMETER - GAUGE EX. HDHA08-18, HDHA08-16, HDHA08-14				



Square to Round Transition

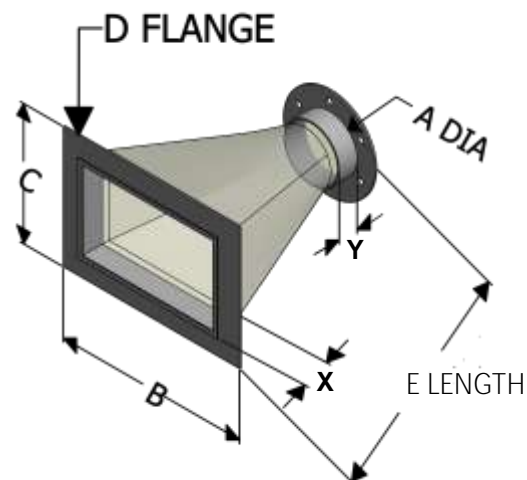


PART NO. HDSQR00-XX-XX

- Galvanized 18 ga, 16 ga, 14 ga & 12 ga
- Vanstone end on round end with rotational angle flange is standard. 2" straight skirt is standard.
- Priced by customer specifications
- Specify A , B, C, & D dimensions
- Specify X & Y dimensions and E length dimension
- Square (rectangular) ends to be approximate size of round end

SQUARE (RECTANGULAR) TO ROUND

DIA	PART #	18 GA	16 GA	14 GA	12 GA
8"	HDSQ08-XX-XX-XX				
10"	HDSQ10-XX-XX-XX				
12"	HDSQ12-XX-XX-XX				
14"	HDSQ14-XX-XX-XX				
16"	HDSQ16-XX-XX-XX				
18"	HDSQ18-XX-XX-XX				
20"	HDSQ20-XX-XX-XX	PRICE WILL BE QUOTED PER CUSTOMER SPECIFICATIONS CONTACT OUR SALES OFFICE			
22"	HDSQ22-XX-XX-XX				
24"	HDSQ24-XX-XX-XX				
26"	HDSQ26-XX-XX-XX				
28"	HDSQ28-XX-XX-XX				
30"	HDSQ30-XX-XX-XX				
32"	HDSQ32-XX-XX-XX				
34"	HDSQ34-XX-XX-XX				
36"	HDSQ36-XX-XX-XX				
38"	HDSQ38-XX-XX-XX				
40"	HDSQ40-XX-XX-XX				
42"	HDSQ42-XX-XX-XX				
44"	HDSQ44-XX-XX-XX				
46"	HDSQ46-XX-XX-XX				
48"	HDSQ48-XX-XX-XX				



*Note: Minimum L = B x .75. If less, square to square transition will be provided. 7" minimum L allowable for Sq to Rd and 4" minimum allowable for Sq to Sq.

Reducer

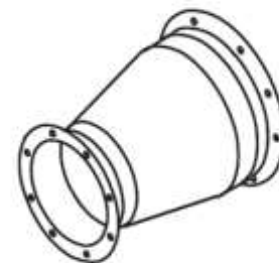
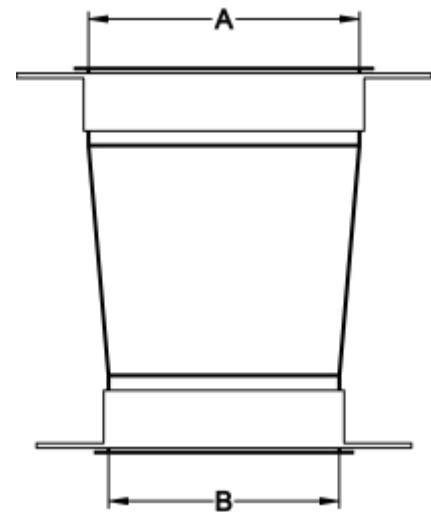


PART NO. HDR0000-XX

- Galvanized 18 ga, 16 ga, 14 ga & 12 ga
- Vanstone ends with rotational angle flange is standard
- Priced by largest end A
- Specify A and B diameter

REDUCERS

DIA	PART #	18 GA	16 GA	14 GA	12 GA
8"	HDR08-XX-XX	\$88.45	CALL	\$109.20	\$143.30
10"	HDR10-XX-XX	\$102.95	CALL	\$127.10	\$147.60
12"	HDR12-XX-XX	\$124.74	CALL	\$154.00	\$178.20
14"	HDR14-XX-XX	\$151.15	CALL	\$186.60	\$215.50
16"	HDR16-XX-XX	\$208.66	CALL	\$257.60	\$297.40
18"	HDR18-XX-XX	\$231.01	CALL	\$285.20	\$326.70
20"	HDR20-XX-XX	\$248.10	CALL	\$306.30	\$350.50
22"	HDR22-XX-XX	\$279.05	CALL	\$344.50	\$394.80
24"	HDR24-XX-XX	\$301.89	CALL	\$372.70	\$428.00
26"	HDR26-XX-XX	CALL	\$351.90	\$391.00	\$433.10
28"	HDR28-XX-XX	CALL	\$397.44	\$441.60	\$488.70
30"	HDR30-XX-XX	CALL	\$433.35	\$481.50	\$533.20
32"	HDR32-XX-XX	CALL	\$480.24	\$533.60	\$591.90
34"	HDR34-XX-XX	CALL	\$525.78	\$584.20	\$648.80
36"	HDR36-XX-XX	CALL	\$580.50	\$645.00	\$717.30
38"	HDR38-XX-XX	CALL	\$636.66	\$707.40	\$787.20
40"	HDR40-XX-XX	CALL	\$704.97	\$783.30	\$872.30
42"	HDR42-XX-XX	CALL	\$758.88	\$843.20	\$939.90
44"	HDR44-XX-XX	CALL	\$794.88	\$883.20	\$984.60
46"	HDR46-XX-XX	CALL	\$830.43	\$922.70	\$1,028.80
48"	HDR48-XX-XX	CALL	\$866.34	\$962.60	\$1,073.50
PART NUMBER: HDR - DIAMETER - DIAMETER - GAUGE					
EX. HDR0810--18, HDR0810-16, HDR0810-14, HDR0810-12					



Custom Manifold



- Galvanized 18 ga, 16 ga, 14 ga & 12 ga
- Used mostly over multi-inlet machines
- Galvanized, stainless steel, and black iron available
- Priced by customer specifications
- Specify all dimensions
- Contact our sales team for a quote

CUSTOM MANIFOLDS

DIA	PART #	18 GA	16 GA	14 GA	12 GA
8"					
10"					
12"					
14"					
16"					
18"					
20"					
22"					
24"					
26"					
28"					
30"					
32"					
34"					
36"					
38"					
40"					
42"					
44"					
46"					
48"					

PRICE WILL BE QUOTED
PER CUSTOMER SPECIFICATIONS
CONTACT OUR SALES OFFICE



Sample Manifold: 45 degree taps and flanged trunk line connections.

FLX-45 HD Tough Stuff



PART NO. HFLX4500

All hose diameter is I.D.

DIA	PART #	PRICE
3"	HFLX4503	\$11.17
4"	HFLX4504	\$14.08
5"	HFLX4505	\$16.32
6"	HFLX4506	\$16.84
8"	HFLX4508	\$21.55
10"	HFLX4510	\$31.45
12"	HFLX4512	\$33.85
PRICED PER FOOT		

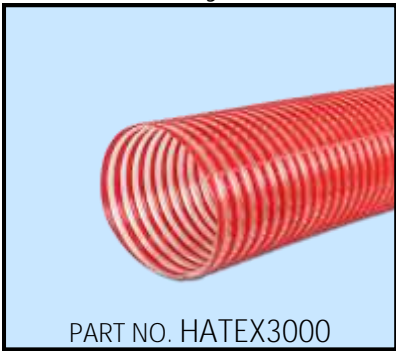
FLX-45 HD TOUGH STUFF

- Clear heavy duty polyurethane hose with bronze coated steel wire helix (black is special order)
- Superior abrasion resistance and high tear strength
- Superior chemical resistance
- Excellent flexibility
- Temperature Range (°F) -65° to 225°
- Wall Thickness = .045"

Applications:

- Heavy duty dust collection
- Pallet manufacturing
- Wood chips, band mills
- Grain handling
- Commercial/Municipal vacuuming
- Clear hose is manufactured with FDA acceptable materials

ATEX Polyflex 30



PART NO. HATEX3000

All hose diameter is I.D.

DIA	PART #	PRICE
2"	HATEX3002	\$7.00
2.5"	HATEX3002.5	\$8.16
3"	HATEX3003	\$8.19
4"	HATEX3004	\$10.33
5"	HATEX3005	\$12.36
6"	HATEX3006	\$15.26
8"	HATEX3008	\$15.60
10"	HATEX3010	\$22.06
12"	HATEX3012	\$24.43
14"	HATEX3014	\$30.67
16"	HATEX3016	\$38.42
18"	HATEX3018	\$47.03
PRICED PER FOOT		

ATEX POLYFLEX 30 - ANTISTATIC

- ATEX Certified for combustible dusts (wood dusts, powders, plastics).
- Clear and red, medium duty-high abrasion resistant polyurethane hose with copper wire helix
- Surface resistant level OHLMS/Square 10[^]8 - 10[^]16
- Antistatic
- Fire Retardant
- Use of a swivel ball joint when used on CNC machines extends the life of the hose extensively
- Temperature Range (°F) -25° to 225°
- **Wall thickness .031"**

Applications:

- Wood dusts, woodworking
- CNC Routers
- Powders
- Plastic dusts
- Bridge clamp recommended

MFH Metal Flex



PART NO. MFH00

All hose diameter is I.D.

DIA	PART #	PRICE
2"	HMF02	\$4.62
3"	HMF03	\$5.47
4"	HMF04	\$8.02
5"	HMF05	\$8.93
6"	HMF06	\$10.88
7"	HMF07	\$14.15
8"	HMF08	\$21.64
9"	HMF09	\$25.86
10"	HMF10	\$28.82
PRICED PER FOOT		

MFH METAL FLEX

- Interlocking galvanized steel
- Ideal for abrasive materials in grinding dusts, heavy wood chips
- Good for high temperature air handling applications, such as higher temperature engine exhaust.
- Good for dry bulk material transfer
- Temperature Range (°F) -10° to 450°
- Wall thickness .016 to .020

Applications:

- Surface grinding
- Welding exhaust
- Heavy wood chips
- Pallets, moulding machines

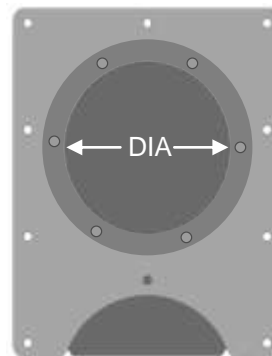
Manual Blast Gate



- All galvanized, heavy duty 12 ga. body, 12 ga blade
- Bolt together body to allow disassembly for cleaning
- Vanstone ends with rotational angle flange standard
- Smaller sizes available. Call for pricing
- Submittal drawings available

MANUAL BLAST GATES

DIA	PART #	12 GA
8"	HDBGG08R	\$396.20
10"	HDBGG10R	\$520.90
12"	HDBGG12R	\$683.40
14"	HDBGG14R	\$839.70
16"	HDBGG16R	\$958.10
18"	HDBGG18R	\$1,099.90
20"	HDBGG20R	\$1,199.00
22"	HDBGG22R	\$1,354.80
24"	HDBGG24R	\$1,507.40
26"	HDBGG26R	\$1,699.70
28"	HDBGG28R	\$1,859.30
30"	HDBGG30R	\$1,988.70
32"	HDBGG32R	\$2,115.90
34"	HDBGG34R	\$2,215.50
36"	HDBGG36R	\$2,284.70



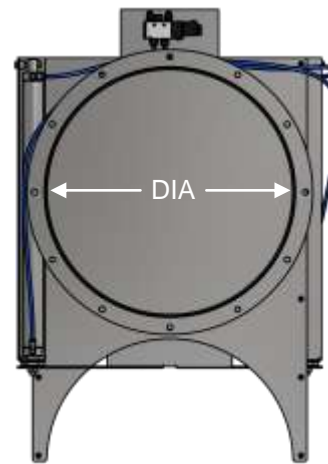
Automatic Blast Gate



- All galvanized, heavy duty 12 ga Body, 12 ga slide blade
- Pneumatic cylinder w/ internal magnet for use with signaling limit switch included. Signaling limit switches sold separately.
- Air valve with speed controls and fittings included
- Electric coil/solenoid included. Please specify voltage, 110VAC, 220VAC or 24VDC, 24VAC
- Vanstone ends with rotational angle flange standard
- Submittal drawings available

AUTOMATIC BLAST GATES

DIA	PART #	12 GA
8"	BGPNC08GAR	\$1,191.30
10"	BGPNC10GAR	\$1,284.30
12"	BGPNC12GAR	\$1,330.60
14"	BGPNC14GAR	\$1,486.30
16"	BGPNC16GAR	\$1,705.30
18"	BGPNC18GAR	\$1,834.40
20"	BGPNC20GAR	\$1,993.10
22"	BGPNC22GAR	\$2,066.90



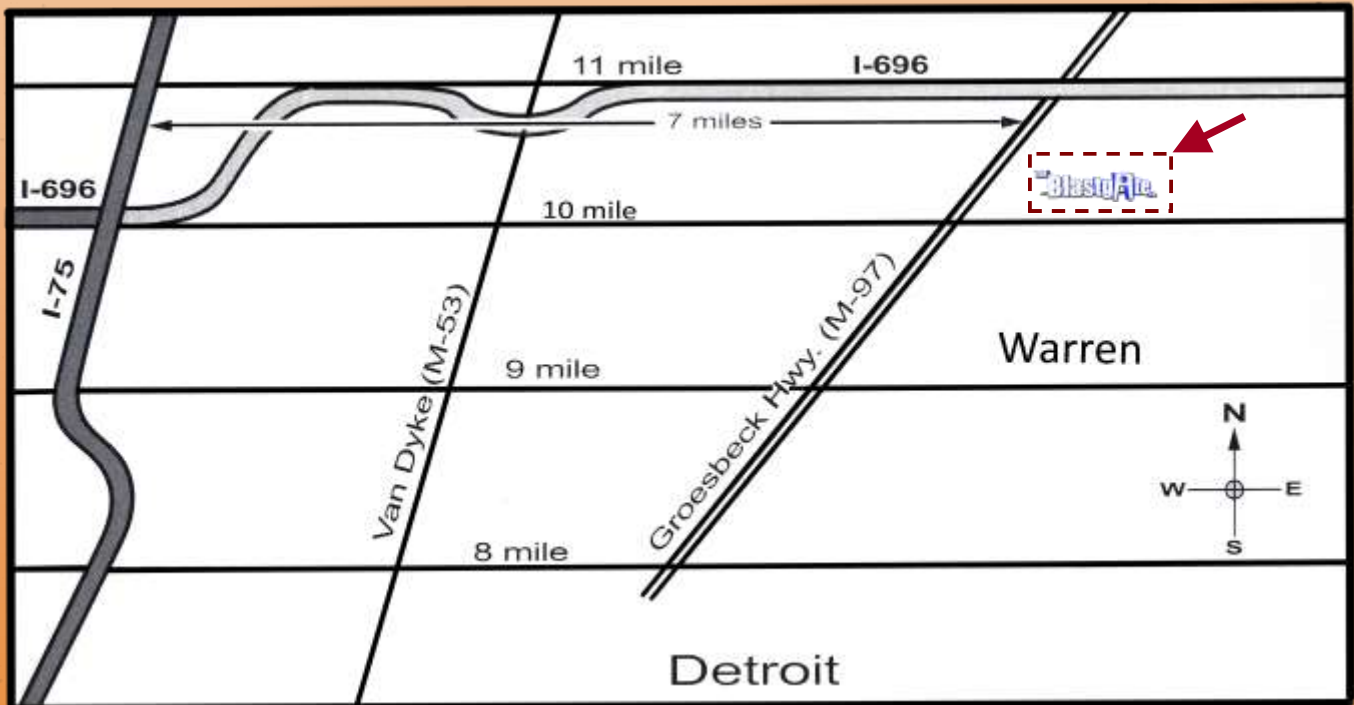
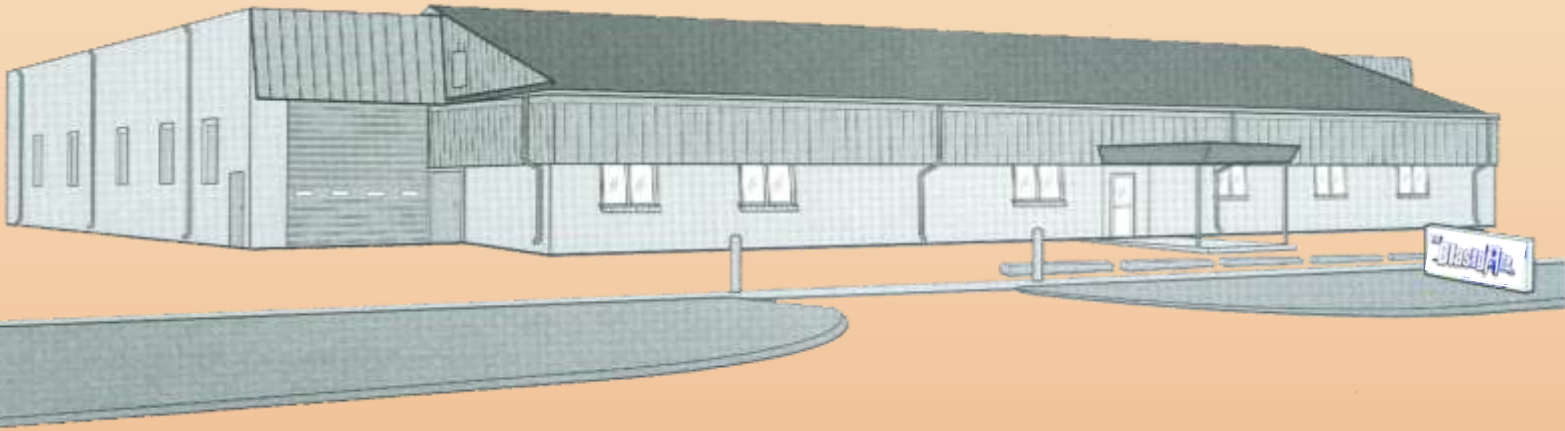
THE BlastGate CO.

14219 EAST TEN MILE ROAD

WARREN, MI 48089-2162

1-877-904-4022 FAX: 586-776-8532

sales@blastgateco.com



www.blastgateco.com

