

# HD HEAVY DUTY 12, 14, 16 & 18 GA. DUCT SYSTEMS

## 2025 CATALOG

DESIGNED FOR HEAVY DUTY DUCT SYSTEMS



PAGE 1

WELDED PIPE



PAGE 2

ANGLE RINGS



PAGE 3

45° BRANCHES



PAGE 4

Y-BRANCHES



PAGE 5

45 DEG. & 90 DEG.  
ELBOWS



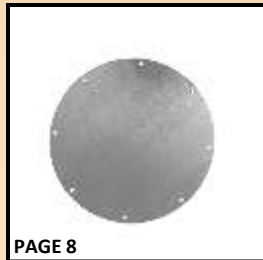
PAGE 6

DOUBLE BRANCHES



PAGE 7

IN-CUTS



PAGE 8

END PLATES



PAGE 9

MACHINE ADAPTERS



PAGE 10

HOSE ADAPTERS



PAGE 11

SQUARE TO ROUND  
TRANSITIONS



PAGE 12

REDUCERS



PAGE 13

CUSTOM MANIFOLDS



PAGE 15

HD MANUAL BLAST GATES



PAGE 16

Double CYL.  
Compact Series

HD AUTOMATIC BLAST GATES

### HEAVY DUTY COMMERCIAL & INDUSTRIAL HOSE



PAGE 14

ATEX POLYFLEX 30  
STATIC DISSIPATIVE

FLX-45 HD  
TOUGH STUFF

METAL FLEX

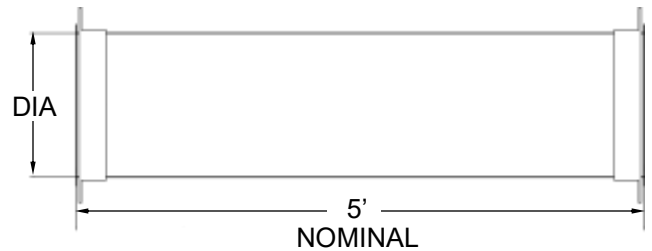
**Angle Flange Pipe**



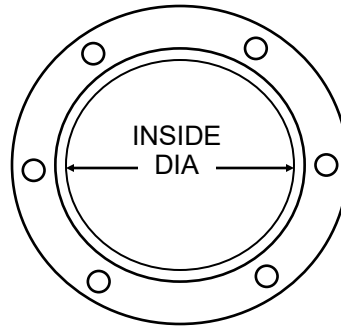
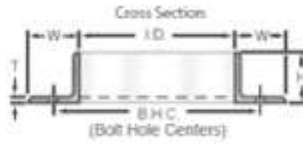
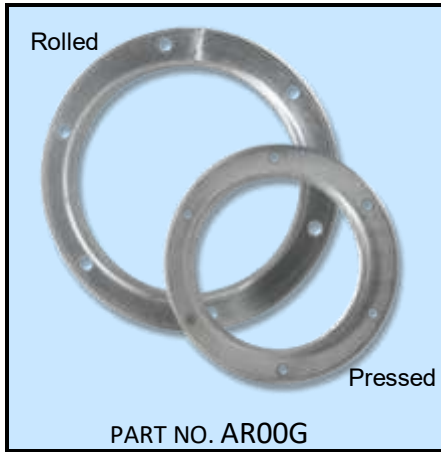
- Galvanized 18 ga, 16 ga, 14 ga & 12 ga pipe available
- Vanstone ends with rotational angle flange is standard. Optional angle flange welded solid or ring loose for field welding
- 5 Ft. sections standard. Customs lengths available
- Continuously seam welded pipe
- Specify diameter, gauge and type of connection

**ANGLE FLANGE PIPE**

DIA	PART #	5 FT. 18 GA	5 FT. 16 GA	5 FT. 14 GA	5 FT. 12 GA
3"	HDPIPE03				
4"	HDPIPE04				
5"	HDPIPE05				
6"	HDPIPE06				
8"	HDPIPE08				
10"	HDPIPE10				
12"	HDPIPE12				
14"	HDPIPE14				
16"	HDPIPE16				
18"	HDPIPE18				
20"	HDPIPE20		CALL		
22"	HDPIPE22		FOR		
24"	HDPIPE24		PRICING		
26"	HDPIPE26				
28"	HDPIPE28				
30"	HDPIPE30				
32"	HDPIPE32				
34"	HDPIPE34				
36"	HDPIPE36				
38"	HDPIPE38				
40"	HDPIPE40				
42"	HDPIPE42				
44"	HDPIPE44				
46"	HDPIPE46				
48"	HDPIPE48				
PART NUMBER: HDPIPE - DIAMETER - GAUGE EXAMPLE HDPIPE0812					



## Angle Rings



PRESSED RING SHOWN

- Galvanized standard
- Mild steel & stainless steel available
- Rubber gaskets available
- 3" to 5" pressed
- 6" and up rolled
- Fasteners not included
- Flat flange available with custom whole pattern

SIZE	PART #	INSIDE DIA	HEIGHT	WIDTH	THICKNESS	BOLT HOLE CENTERS	NO. OF BOLT HOLES	SIZE OF BOLT HOLES	WT.	PRICE GALV.
3"	AR03G	3-1/16"	7/8"	1"	10 ga.	4-5/16"	6	9/32"	0.70	
4"	AR04G	4-1/16"	15/16"	1"	10 ga.	5-5/16"	6	9/32"	0.85	
5"	AR05G	5-1/16"	1"	1"	10 ga.	6-5/16"	6	9/32"	1.20	
6"	AR06G	6-1/8"	1-1/4"	1-1/4"	1/8"	7-5/16"	6	3/8"	1.75	
7"	AR07G	7-1/8"	1-1/4"	1-1/4"	1/8"	8-1/2"	6	3/8"	2.00	
8"	AR08G	8-1/8"	1-1/4"	1-1/4"	1/8"	9-9/16"	6	3/8"	2.25	
9"	AR09G	9-1/8"	1-1/8"	1 1/4"	1/8"	10-5/8"	6	3/8"	2.50	
10"	AR10G	10-1/8"	1-1/4"	1-1/4"	1/8"	11-13/16"	6	3/8"	2.75	
11"	AR11G	11-1/8"	1-1/4"	1-1/4"	1/8"	12-3/4"	6	3/8"	3.00	
12"	AR12G	12-1/8"	1-1/2"	1-1/2"	1/8"	14"	8	7/16"	4.00	
13"	AR13G	13-1/8"	1-1/2"	1-1/2"	1/8"	15"	8	7/16"	4.25	
14"	AR14G	14-1/8"	1-1/2"	1-1/2"	1/8"	16"	8	7/16"	4.75	CALL
15"	AR15G	15-1/8"	1-1/2"	1-1/2"	1/8"	17"	8	7/16"	5.00	FOR
16"	AR16G	16-1/8"	1-1/2"	1-1/2"	3/16"	18"	8	7/16"	8.00	PRICING
17"	AR17G	17-1/8"	1-1/2"	1-1/2"	3/16"	19"	8	7/16"	8.25	
18"	AR18	18-1/8"	1-1/2"	1-1/2"	3/16"	20"	8	7/16"	8.50	
20"	AR20G	20-1/8"	1-1/2"	1-1/2"	3/16"	21-3/4"	12	7/16"	9.50	
22"	AR22G	22-1/8"	1-1/2"	1-1/2"	3/16"	23-3/4"	12	7/16"	10.75	
24"	AR24G	24-1/8"	1-1/2"	1-1/2"	3/16"	25-7/8"	12	7/16"	11.50	
26"	AR26G	26-1/8"	2"	2"	3/16"	28-3/8"	16	7/16"	15.50	
28"	AR28G	28-1/8"	2"	2"	3/16"	30-3/8"	16	7/16"	18.00	
30"	AR30G	30-1/8"	2"	2"	3/16"	32-3/8"	16	7/16"	19.50	
32"	AR32G	32-1/8"	2"	2"	3/16"	34-3/8"	16	7/16"	20.00	
34"	AR34G	34-1/8"	2"	2"	3/16"	36-3/8"	16	7/16"	22.50	
36"	AR36G	36-1/8"	2"	2"	3/16"	38-3/8"	16	7/16"	23.00	
38"	AR38G	38-1/8"	2"	2"	3/16"	40-3/8"	24	7/16"	24.50	
40"	AR40G	40-1/8"	2"	2"	3/16"	42-3/8"	24	7/16"	25.75	
42"	AR42G	42-1/8"	2"	2"	3/16"	44-3/8"	24	7/16"	26.50	
44"	AR44G	44-1/8"	2"	2"	3/16"	46-3/8"	24	7/16"	28.00	
46"	AR46G	46-1/8"	2"	2"	3/16"	48-3/8"	24	7/16"	29.00	
48"	AR48G	48-1/8"	2"	2"	3/16"	50-3/8"	24	7/16"	30.75	

**45° Branch (Lateral Wye)**



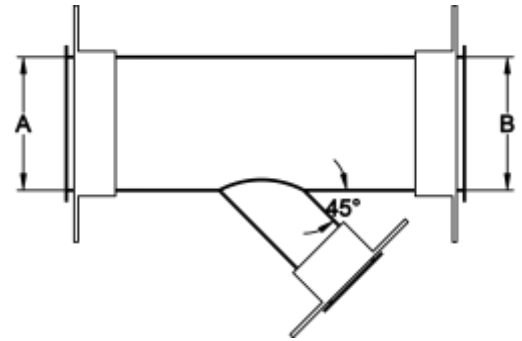
PART NO. HDB00-00-00-XX

- Galvanized 18 ga, 16 ga, 14 ga & 12 ga Branches
- All branches price by largest end A
- Specify A, B dia. and C tap dia.
- Vanstone ends with rotational angle flange is standard
- 45 Degree tap standard. 30 Degree is available
- Continuously seam welded

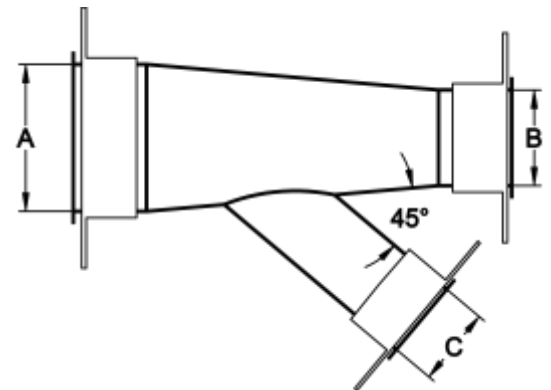
**45° BRANCH**

DIA	PART #	18 GA	16 GA	14 GA	12 GA
8"	HDB08-XX-XX-XX				
10"	HDB10-XX-XX-XX				
12"	HDB12-XX-XX-XX				
14"	HDB14-XX-XX-XX				
16"	HDB16-XX-XX-XX				
18"	HDB18-XX-XX-XX				
20"	HDB20-XX-XX-XX				
22"	HDB22-XX-XX-XX				
24"	HDB24-XX-XX-XX		CALL		
26"	HDB26-XX-XX-XX		FOR		
28"	HDB28-XX-XX-XX		PRICING		
30"	HDB30-XX-XX-XX				
32"	HDB32-XX-XX-XX				
34"	HDB34-XX-XX-XX				
36"	HDB36-XX-XX-XX				
38"	HDB38-XX-XX-XX				
40"	HDB40-XX-XX-XX				
42"	HDB42-XX-XX-XX				
44"	HDB44-XX-XX-XX				
46"	HDB46-XX-XX-XX				
48"	HDB48-XX-XX-XX				
PART NUMBER: HDB - DIAMETER - GAUGE					
EX. HDB08080818, HDB08080816, HDB08080814, HDB08080812					

STRAIGHT BRANCH



REDUCING BRANCH



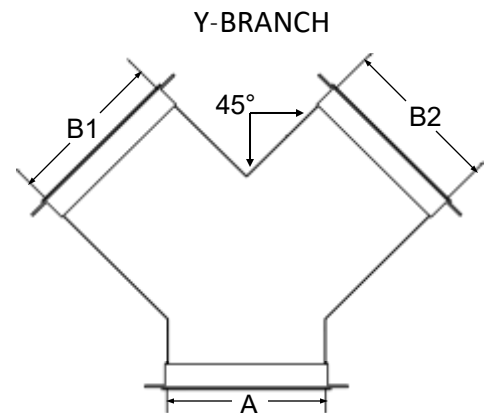
**Y-Branch (True Wye)**


PART NO. HDY00-00-00-XX

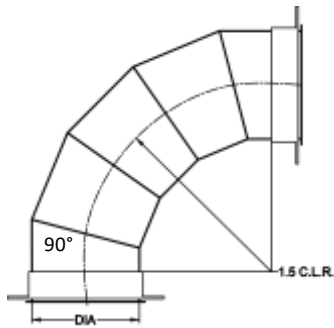
- Galvanized 18 ga, 16 ga, 14 ga & 12 ga Branches
- All branches price by largest end A
- Specify A, B1, & B2 dia.
- Vanstone ends with rotational angle flange is standard
- Continuously seam welded

**Y-BRANCH**

DIA	PART #	18 GA	16 GA	14 GA	12 GA
8"	HDY08-XX-XX-XX				
10"	HDY10-XX-XX-XX				
12"	HDY12-XX-XX-XX				
14"	HDY14-XX-XX-XX				
16"	HDY16-XX-XX-XX				
18"	HDY18-XX-XX-XX				
20"	HDY20-XX-XX-XX				
22"	HDY22-XX-XX-XX				
24"	HDY24-XX-XX-XX		CALL		
26"	HDY26-XX-XX-XX		FOR		
28"	HDY28-XX-XX-XX		PRICING		
30"	HDY30-XX-XX-XX				
32"	HDY32-XX-XX-XX				
34"	HDY34-XX-XX-XX				
36"	HDY36-XX-XX-XX				
38"	HDY38-XX-XX-XX				
40"	HDY40-XX-XX-XX				
42"	HDY42-XX-XX-XX				
44"	HDY44-XX-XX-XX				
46"	HDY46-XX-XX-XX				
48"	HDY48-XX-XX-XX				
PART NUMBER: HDY - A DIA - B1 DIA, B2 DIA - GUAGE EX. HDY080808-18, HDY262626-16, HDY080808-14, HDY080808-12					

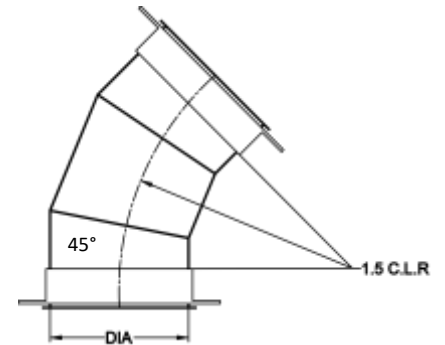


90° Elbow



- Galvanized 18 ga, 16 ga, 14 ga & 12 ga
- Vanstone ends with rotational angle flange is standard
- 1.5 CLR standard
- Continuously seam welded
- Specify diameter and gauge
- Longer radius elbows available

45° Elbow



90° ELBOW

DIA	PART #	18 GA	16 GA	14 GA	12 GA
8"	HDEL908				
10"	HDEL910				
12"	HDEL912				
14"	HDEL914				
16"	HDEL916				
18"	HDEL918				
20"	HDEL920				
22"	HDEL922				
24"	HDEL924		CALL		
26"	HDEL926		FOR		
28"	HDEL928		PRICING		
30"	HDEL930				
32"	HDEL932				
34"	HDEL934				
36"	HDEL936				
38"	HDEL938				
40"	HDEL940				
42"	HDEL942				
44"	HDEL944				
46"	HDEL946				
48"	HDEL948				
PART NUMBER: HDEL - 9 - DIAMETER - GAUGE EX. HDEL908-18, HDEL908-16, HDEL908-14, HDEL908-12					

45° ELBOW

DIA	PART #	18 GA	16 GA	14 GA	12 GA
8"	HDEL408				
10"	HDEL410				
12"	HDEL412				
14"	HDEL414				
16"	HDEL416				
18"	HDEL418				
20"	HDEL420				
22"	HDEL422				
24"	HDEL424		CALL		
26"	HDEL426		FOR		
28"	HDEL428		PRICING		
30"	HDEL430				
32"	HDEL432				
34"	HDEL434				
36"	HDEL436				
38"	HDEL438				
40"	HDEL440				
42"	HDEL442				
44"	HDEL444				
46"	HDEL446				
48"	HDEL448				
PART NUMBER: HDEL - 9 - DIAMETER - GAUGE EX. HDEL908-18, HDEL908-16, HDEL908-14, HDEL908-12					

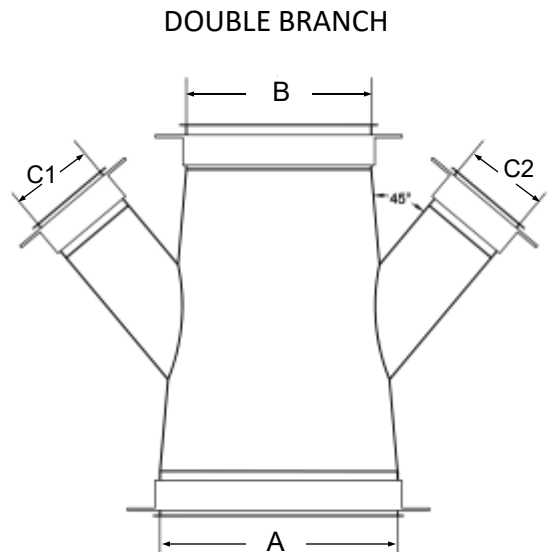
**Double Branch**


PART NO. Hddb00-00-00-XX

- Galvanized 18 ga, 16 ga, 14 ga & 12 ga
- All branches price by largest end A
- Specify A, B dia. and C1 & C2 taps dia.
- Vanstone ends with rotational angle flange is standard
- 45 Degree tap standard. 30 Degree is available
- Continuously seam welded

**DOUBLE BRANCH**

DIA	PART #	18 GA	16 GA	14 GA	12 GA
8"	Hddb08-XX-XX-XX-XX				
10"	Hddb10-XX-XX-XX-XX				
12"	Hddb12-XX-XX-XX-XX				
14"	Hddb14-XX-XX-XX-XX				
16"	Hddb16-XX-XX-XX-XX				
18"	Hddb18-XX-XX-XX-XX				
20"	Hddb20-XX-XX-XX-XX				
22"	Hddb22-XX-XX-XX-XX				
24"	Hddb24-XX-XX-XX-XX				
26"	Hddb26-XX-XX-XX-XX				
28"	Hddb28-XX-XX-XX-XX				
30"	Hddb30-XX-XX-XX-XX				
32"	Hddb32-XX-XX-XX-XX				
34"	Hddb34-XX-XX-XX-XX				
36"	Hddb36-XX-XX-XX-XX				
38"	Hddb38-XX-XX-XX-XX				
40"	Hddb40-XX-XX-XX-XX				
42"	Hddb42-XX-XX-XX-XX				
44"	Hddb44-XX-XX-XX-XX				
46"	Hddb46-XX-XX-XX-XX				
48"	Hddb48-XX-XX-XX-XX				
PART NUMBER: Hddb - DIA A, DIA B, TAP DIA C1 & C2 - GAUGE					
EX. Hddb080808-18, Hddb080808-16, Hddb080808-14, Hddb080808-12					



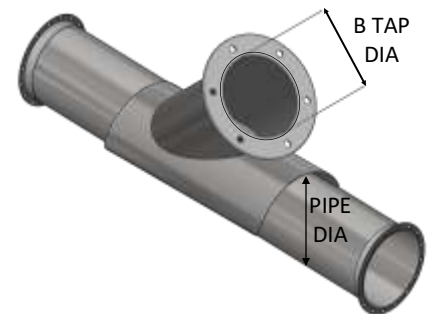
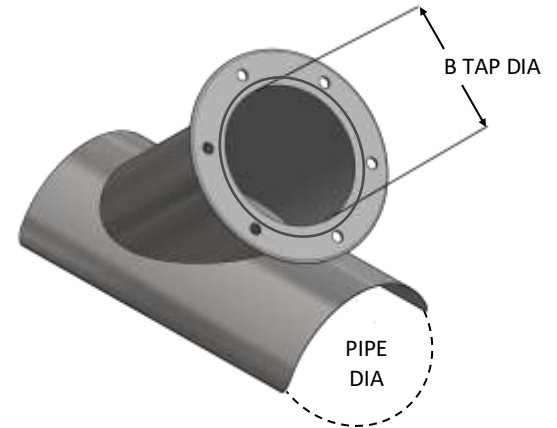
**In-Cut**



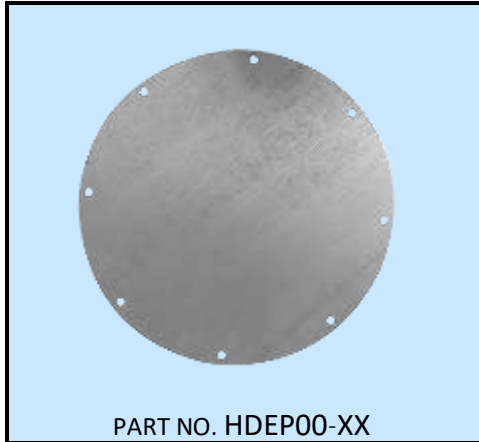
- Galvanized 18 ga, 16 ga, 14 ga & 12 ga
- In-cut used to cut into existing lines
- Priced by tap diameter
- Specify tap dia. and pipe dia.
- Vanstone ends with rotational angle flange is standard
- 45 Degree tap standard
- Continuously seam welded

**IN-CUT SADDLE**

DIA	PART #	18 GA	16 GA	14 GA	12 GA
8"	HDIC08-XX-XX				
10"	HDIC10-XX-XX				
12"	HDIC12-XX-XX				
14"	HDIC14-XX-XX				
16"	HDIC16-XX-XX				
18"	HDIC18-XX-XX				
20"	HDIC20-XX-XX				
22"	HDIC22-XX-XX				
24"	HDIC24-XX-XX		CALL		
26"	HDIC26-XX-XX		FOR		
28"	HDIC28-XX-XX		PRICING		
30"	HDIC30-XX-XX				
32"	HDIC32-XX-XX				
34"	HDIC34-XX-XX				
36"	HDIC36-XX-XX				
38"	HDIC38-XX-XX				
40"	HDIC40-XX-XX				
42"	HDIC42-XX-XX				
44"	HDIC44-XX-XX				
46"	HDIC46-XX-XX				
48"	HDIC48-XX-XX				
PART NUMBER: HDIC - TAP DIA - PIPE DIA - GAUGE EX. HDIC081418, HDIC081416, HDIC081414, HDIC081412					



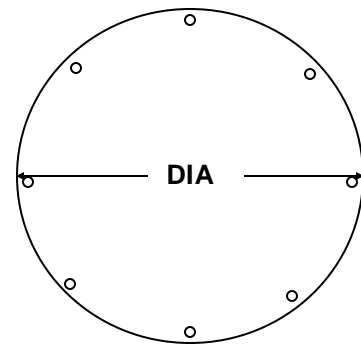


**End Plate**


- Galvanized 18ga, 16 ga, 14 ga & 12 ga
- Flanged end plates are flat plates with angle flange hole pattern
- Specify diameter and gauge

**END PLATES**

DIA	PART #	18 GA	16 GA	14 GA	12 GA
8"	HDEP08				
10"	HDEP10				
12"	HDEP12				
14"	HDEP14				
16"	HDEP16				
18"	HDEP18				
20"	HDEP20				
22"	HDEP22				
24"	HDEP24		CALL		
26"	HDEP26		FOR		
28"	HDEP28		PRICING		
30"	HDEP30				
32"	HDEP32				
34"	HDEP34				
36"	HDEP36				
38"	HDEP38				
40"	HDEP40				
42"	HDEP42				
44"	HDEP44				
46"	HDEP46				
48"	HDEP48				
PART NUMBER: HDEP - DIAMETER - GAUGE EX. HDEP0818, HDEP0816, HDEP0814, HDEP0812					



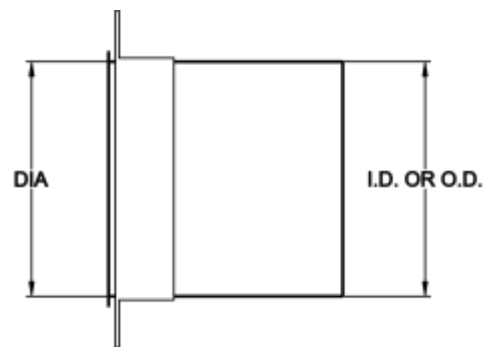
## Machine Adapter



- Galvanized 18 ga, 16 ga, 14 ga & 12 ga
- Standard style is one end raw, other end with angle flange
- Vanstone ends with rotational angle flange is standard
- Please specify I.D. or O.D.

## MACHINE ADAPTERS

DIA	PART #	18 GA	16 GA	14 GA
8"	HDMA08XX			
10"	HDMA10XX			
12"	HDMA12XX			
14"	HDMA14XX	CALL		
16"	HDMA16XX	FOR		
18"	HDMA18XX	PRICING		
20"	HDMA20XX			
22"	HDMA22XX			
24"	HDMA24XX			
PART NUMBER: HDMA - DIAMETER - GAUGE				
EX. HDMA08-18, HDMA0810-016, HDMA0810-14				



## Hose Adapter



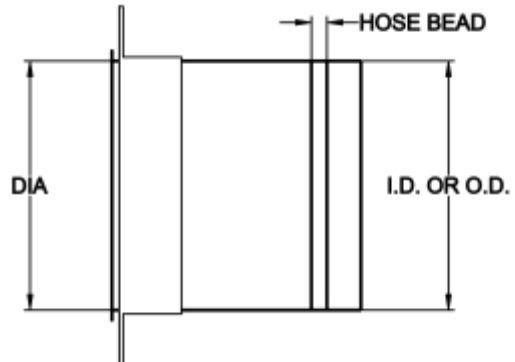
PART NO. HDHA00-XX

- Galvanized 18 ga, 16 ga, 14 ga & 12 ga
- Standard style is one end raw, other end with angle flange
- Vanstone ends with rotational angle flange is standard
- Used to connect rubber flex hose
- Not designed for use with metal flex hose
- Please specify I.D. or O.D.

NOTE: All hose diameter is I.D. (See page 14)

## HOSE ADAPTERS

DIA	PART #	18 GA	16 GA	14 GA
8"	HDHA08XX			
10"	HDHA10XX			
12"	HDHA12XX			
14"	HDHA14XX	CALL		
16"	HDHA16XX	FOR		
18"	HDHA18XX	PRICING		
20"	HDHA20XX			
22"	HDHA22XX			
24"	HDHA24XX			
PART NUMBER: HDHA - DIAMETER - GAUGE EX. HDHA810-18, HDHA08-16, HDHA08-14				



Square to Round Transition

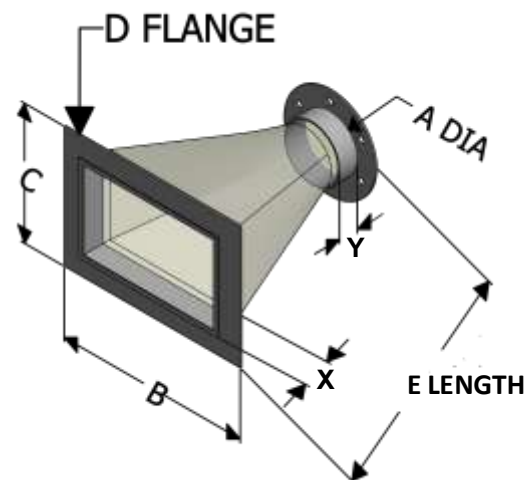


PART NO. HDSQR00-XX-XX

- Galvanized 18 ga, 16 ga, 14 ga & 12 ga
- Vanstone end on round end with rotational angle flange is standard. 2" straight skirt is standard.
- Priced by customer specifications
- Specify A , B, C, & D dimensions
- Specify X & Y dimensions and E length dimension
- Square (rectangular) ends to be approximate size of round end

SQUARE (RECTANGULAR) TO ROUND

DIA	PART #	18 GA	16 GA	14 GA	12 GA
8"	HDSQ08-XX-XX-XX				
10"	HDSQ10-XX-XX-XX				
12"	HDSQ12-XX-XX-XX				
14"	HDSQ14-XX-XX-XX				
16"	HDSQ16-XX-XX-XX				
18"	HDSQ18-XX-XX-XX				
20"	HDSQ20-XX-XX-XX	PRICE WILL BE QUOTED PER CUSTOMER SPECIFICATIONS CONTACT OUR SALES OFFICE			
22"	HDSQ22-XX-XX-XX				
24"	HDSQ24-XX-XX-XX				
26"	HDSQ26-XX-XX-XX				
28"	HDSQ28-XX-XX-XX				
30"	HDSQ30-XX-XX-XX				
32"	HDSQ32-XX-XX-XX				
34"	HDSQ34-XX-XX-XX				
36"	HDSQ36-XX-XX-XX				
38"	HDSQ38-XX-XX-XX				
40"	HDSQ40-XX-XX-XX				
42"	HDSQ42-XX-XX-XX				
44"	HDSQ44-XX-XX-XX				
46"	HDSQ46-XX-XX-XX				
48"	HDSQ48-XX-XX-XX				



\*Note: Minimum L = B x .75. If less, square to square transition will be provided. 7" minimum L allowable for Sq to Rd and 4" minimum allowable for Sq to Sq.

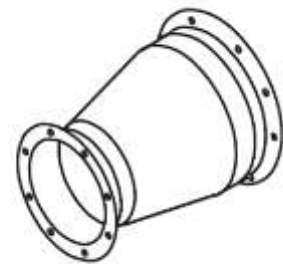
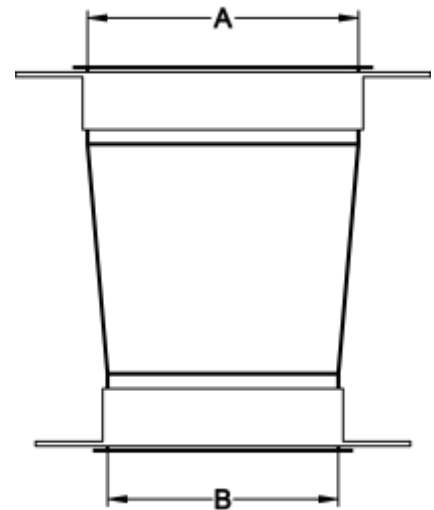
**Reducer**


PART NO. HDR0000-XX

- Galvanized 18 ga, 16 ga, 14 ga & 12 ga
- Vanstone ends with rotational angle flange is standard
- Priced by largest end A
- Specify A and B diameter

**REDUCERS**

DIA	PART #	18 GA	16 GA	14 GA	12 GA
8"	HDR08-XX-XX				
10"	HDR10-XX-XX				
12"	HDR12-XX-XX				
14"	HDR14-XX-XX				
16"	HDR16-XX-XX				
18"	HDR18-XX-XX				
20"	HDR20-XX-XX				
22"	HDR22-XX-XX				
24"	HDR24-XX-XX				
26"	HDR26-XX-XX				
28"	HDR28-XX-XX				
30"	HDR30-XX-XX				
32"	HDR32-XX-XX				
34"	HDR34-XX-XX				
36"	HDR36-XX-XX				
38"	HDR38-XX-XX				
40"	HDR40-XX-XX				
42"	HDR42-XX-XX				
44"	HDR44-XX-XX				
46"	HDR46-XX-XX				
48"	HDR48-XX-XX				
PART NUMBER: HDR - DIAMETER - DIAMETER - GAUGE EX. HDR081018, HDR081016, HDR081014, HDR081012					



Custom Manifold

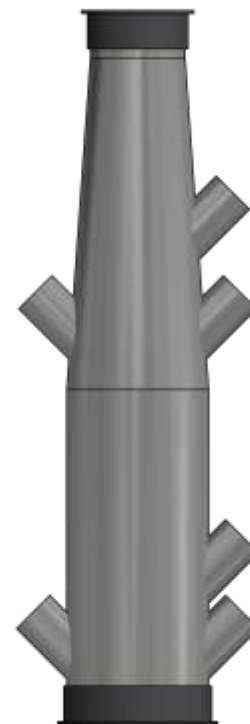


- Galvanized 18 ga, 16 ga, 14 ga & 12 ga
- Used mostly over multi-inlet machines
- Galvanized, stainless steel, and black iron available
- Priced by customer specifications
- Specify all dimensions
- Contact our sales team for a quote

CUSTOM MANIFOLDS

DIA	PART #	18 GA	16 GA	14 GA	12 GA
8"					
10"					
12"					
14"					
16"					
18"					
20"					
22"					
24"					
26"					
28"					
30"					
32"					
34"					
36"					
38"					
40"					
42"					
44"					
46"					
48"					

PRICE WILL BE QUOTED  
PER CUSTOMER SPECIFICATIONS  
CONTACT OUR SALES OFFICE



Sample Manifold: 45 degree taps and flanged trunk line connections.

**FLX-45 HD Tough Stuff**


PART NO. HFLX4500

All hose diameter is I.D.

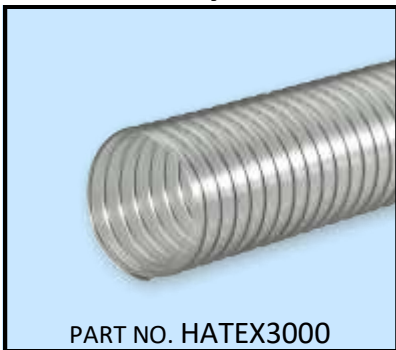
DIA	PART #	PRICE
3"	HFLX4503	\$16.12
4"	HFLX4504	\$20.33
5"	HFLX4505	\$23.57
6"	HFLX4506	\$24.32
8"	HFLX4508	\$32.12
10"	HFLX4510	\$45.42
12"	HFLX4512	\$48.87
PRICED PER FOOT		

**FLX-45 HD TOUGH STUFF**

- Clear heavy duty polyurethane hose with bronze coated steel wire helix (black is special order)
- Superior abrasion resistance and high tear strength
- Superior chemical resistance
- Excellent flexibility
- Temperature Range (°F) -65° to 225°
- Wall Thickness = .045"

Applications:

- Heavy duty dust collection
- Pallet manufacturing
- Wood chips, band mills
- Grain handling
- Commercial/Municipal vacuuming
- Clear hose is manufactured with FDA acceptable materials

**ATEX Polyflex 30**


PART NO. HATEX3000

All hose diameter is I.D.

DIA.	PART #	PRICE
2"	HATEX3002	\$7.70
2.5"	HATEX3002.5	\$8.98
3"	HATEX3003	\$9.01
4"	HATEX3004	\$11.36
5"	HATEX3005	\$13.60
6"	HATEX3006	\$16.79
7"	HATEX3007	\$17.16
8"	HATEX3008	\$17.16
10"	HATEX3010	\$26.87
12"	HATEX3012	\$26.48
14"	HATEX3014	\$33.74
PRICED PER FOOT		

**ATEX POLYFLEX 30 - STATIC DISSIPATIVE**

- ATEX Certified for combustible dusts (wood dusts, powders, plastics).
- Clear, medium duty, high abrasion resistant polyurethane hose with bronze coated steel spring wire helix
- Surface resistant level OHLMS/Square 10<sup>10</sup>
- Static dissipative
- Flame Retardant
- Use of a swivel ball joint when used on CNC machines extends the life of the hose extensively
- Temperature Range (°F) -25° to 200°
- Wall thickness .030"

Applications:

- Woodworking/Wood dusts
- Powders/Powder coating
- Sand blasting
- Plastic dusts
- CNC Machines
- Bridge clamp recommended. Part# BCXX

**MFH Metal Flex**


PART NO. MFH00

All hose diameter is I.D.

DIA	PART #	PRICE
2"	HMF02	\$6.93
3"	HMF03	\$8.73
4"	HMF04	\$12.03
5"	HMF05	\$13.40
6"	HMF06	\$16.33
7"	HMF07	\$21.23
8"	HMF08	\$32.46
9"	HMF09	\$38.79
10"	HMF10	\$43.23
PRICED PER FOOT		

**MFH METAL FLEX**

- Interlocking galvanized steel
- Ideal for abrasive materials in grinding dusts, heavy wood chips
- Good for high temperature air handling applications, such as higher temperature engine exhaust.
- Good for dry bulk material transfer
- Temperature Range (°F) -10° to 450°
- Wall thickness .016 to .020

Applications:

- Surface grinding
- Welding exhaust
- Heavy wood chips
- Pallets, moulding machines

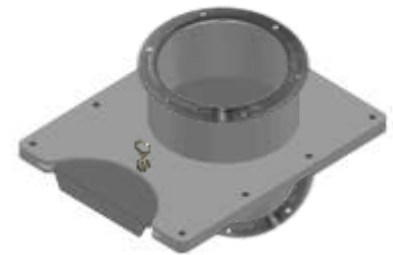
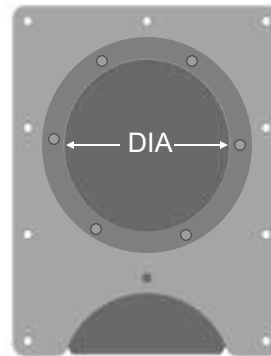
Manual Blast Gate



- All galvanized, heavy duty 12 ga. body, 12 ga blade
- Bolt together body to allow disassembly for cleaning
- Vanstone ends with rotational angle flange standard
- Smaller sizes available. Call for pricing
- Submittal drawings available

MANUAL BLAST GATES

DIA	PART #	12 GA
8"	HDBGG08R	
10"	HDBGG10R	
12"	HDBGG12R	
14"	HDBGG14R	
16"	HDBGG16R	
18"	HDBGG18R	CALL
20"	HDBGG20R	FOR
22"	HDBGG22R	PRICING
24"	HDBGG24R	
26"	HDBGG26R	
28"	HDBGG28R	
30"	HDBGG30R	
32"	HDBGG32R	
34"	HDBGG34R	
36"	HDBGG36R	





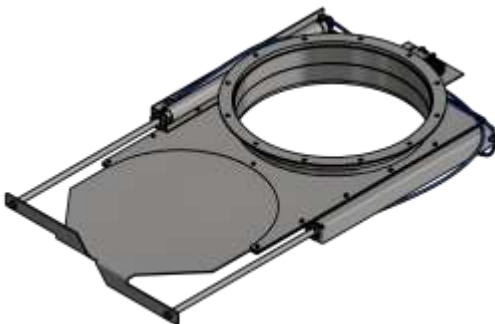
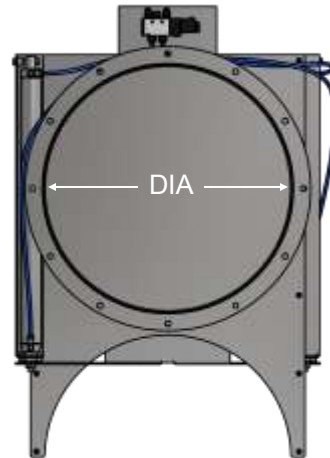
## Automatic Blast Gate



- All galvanized, heavy duty 12 ga Body, 12 ga slide blade
- Pneumatic cylinder w/ internal magnet for use with signaling limit switch included. Signaling limit switches sold separately.
- Air valve with speed controls and fittings included
- Electric coil/solenoid included. Please specify voltage, 110VAC, 220VAC or 24VDC, 24VAC
- Vanstone ends with rotational angle flange standard
- Submittal drawings available

## AUTOMATIC BLAST GATES

DIA	PART #	12 GA
8"	BGPNC08GAR	
10"	BGPNC10GAR	
12"	BGPNC12GAR	CALL
14"	BGPNC14GAR	FOR
16"	BGPNC16GAR	PRICING
18"	BGPNC18GAR	
20"	BGPNC20GAR	
22"	BGPNC22GAR	



# THE BlastGate CO.

14219 EAST TEN MILE ROAD

WARREN, MI 48089-2162

1-877-904-4022 FAX: 586-776-8532

sales@blastgateco.com

