

CLAMP-TOGETHER DUCT SYSTEMS

PRICE CATALOG 2025

**35%
 OFF**

DESIGNED FOR DUST & FUME COLLECTION



PAGE 1
 PIPES, SLEEVES &



PAGE 2
 45° & 90° ELBOWS



PAGE 3
 BRANCHES &
 Y-BRANCHES



PAGE 4
 DOUBLE BRANCHES &
 T-BRANCHES



PAGE 5
 ANGLE FLANGE ADAPTERS &
 IN-CUT SADDLES



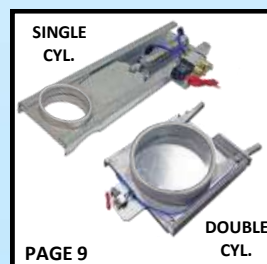
PAGE 6
 REDUCERS & SQUARE TO
 ROUND TRANSITIONS



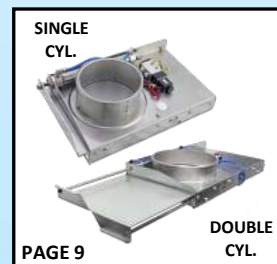
PAGE 7
 CAST ALUM. & S.S.
 BLAST GATES



PAGE 8
 GALV. & S.S. BLAST GATES
 W/UHMW SEALS



PAGE 9
 SINGLE CYL.
 DOUBLE CYL.
 AUTOMATIC DIE CAST ALUM.
 PNEUMATIC BLAST GATES



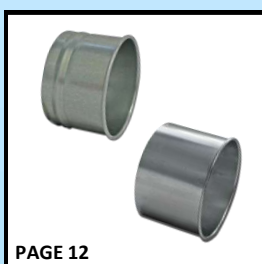
PAGE 9
 SINGLE CYL.
 DOUBLE CYL.
 AUTOMATIC GALVANIZED
 PNEUMATIC BLAST GATES



PAGE 10
 HOSE & HOSE CLAMPS



PAGE 11
 END CAPS



PAGE 12
 HOSE ADAPTERS &
 MACHINE ADAPTERS



PAGE 13
 BALL JOINTS, CABLE DUCT
 HANGERS & ACCESSORIES



PAGE 14
 PIPE HANGERS &
 ACCESSORIES



PAGE 15
 Light Duty
 Heavy Duty
 FLOOR SWEEPS & CAPTURE
 HOODS



PAGE 16
 VERTICAL CAPTURE HOODS &
 TELESCOPING JOINTS



PAGE 17
 NO RETURN VALVES &
 NRV ACCESSORIES



PAGE 18
 HIGH SPEED ABORT GATES



PAGE
 INSTRUCTIONS: ADJUSTABLE
 SLEEVE W/ O-RING

**ATEX
 CERTIFIED**

FAST INSTALLATIONS • EASY REMOVAL FOR CLEANING OR RELOCATING

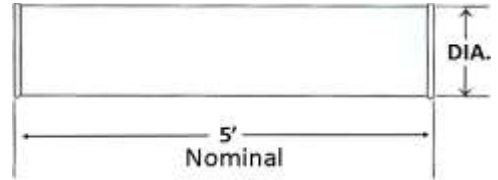
CT PIPE 5 FT. SECTIONS

DIA.	PART #	GA.	WT.	REG. PRICE PER 5 FT.	35% OFF PER 5 FT.
3"	CTPIPE03	18	4.0	\$100.00	\$65.00
4"	CTPIPE04	22	5.4	\$37.46	\$24.48
5"	CTPIPE05	22	6.7	\$41.22	\$26.80
6"	CTPIPE06	22	7.9	\$49.66	\$32.28
7"	CTPIPE07	22	11.7	\$60.83	\$39.54
8"	CTPIPE08	22	13.3	\$68.31	\$44.40
9"	CTPIPE09	22	14.9	\$73.89	\$48.03
10"	CTPIPE10	22	16.6	\$79.48	\$51.66
11"	CTPIPE11	22	18.1	\$95.28	\$61.93
12"	CTPIPE12	22	19.8	\$95.28	\$61.93
14"	CTPIPE14	20	27.3	\$122.72	\$79.77
16"	CTPIPE16	20	29.3	\$159.31	\$103.55
18"	CTPIPE18	20	34.0	\$175.59	\$114.13
20"	CTPIPE20	20	38.0	\$210.75	\$136.99
22"	CTPIPE22	20	42.0	\$233.20	\$151.58
24"	CTPIPE24	20	45.8	\$268.25	\$174.36

CT Pipe



- Galvanized with rolled ends
- 5 Ft. Sections
- Seam welded



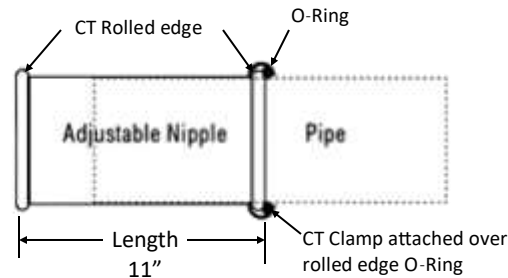
ADJUSTABLE SLEEVE W/ O-RING

DIA.	PART #	GA.	WT.	REG PRICE	35% OFF
3"	CTSLEEVE03	22	0.8	\$34.56	\$22.46
4"	CTSLEEVE04	22	1.1	\$22.81	\$14.83
5"	CTSLEEVE05	22	1.3	\$23.28	\$15.14
6"	CTSLEEVE06	22	1.6	\$24.00	\$15.60
7"	CTSLEEVE07	22	2.4	\$28.75	\$18.69
8"	CTSLEEVE08	22	2.7	\$29.34	\$19.07
9"	CTSLEEVE09	22	3.1	\$30.89	\$20.08
10"	CTSLEEVE10	22	3.4	\$31.48	\$20.46
11"	CTSLEEVE11	22	3.8	\$36.00	\$23.40
12"	CTSLEEVE12	22	4.2	\$36.00	\$23.40
14"	CTSLEEVE14	20	5.9	\$48.71	\$31.66
16"	CTSLEEVE16	20	6.7	\$55.95	\$36.37
18"	CTSLEEVE18	20	7.5	\$65.34	\$42.47
20"	CTSLEEVE20	20	8.1	\$80.07	\$52.05
22"	CTSLEEVE22	20	8.8	\$94.68	\$61.54
24"	CTSLEEVE24	20	9.7	\$108.94	\$70.81

Adjustable Sleeve With O-Ring



- Used to provide variable length adjustment of CT pipe system
- Black O-Ring included
- High Temp Red O-Ring available
- Sleeve length 11 inches
- See page 20 for instructions



ADJUSTABLE CLAMP W/ PIN

DIA.	PART #	WT.	REG.	35% OFF
3"	CTCLAMP03	0.2	\$11.88	\$7.72
4"	CTCLAMP04	0.2	\$12.71	\$8.26
5"	CTCLAMP05	0.3	\$13.66	\$8.88
6"	CTCLAMP06	0.3	\$14.14	\$9.19
7"	CTCLAMP07	0.5	\$14.85	\$9.65
8"	CTCLAMP08	0.5	\$15.33	\$9.96
9"	CTCLAMP09	0.6	\$15.80	\$10.27
10"	CTCLAMP10	0.6	\$17.23	\$11.20
11"	CTCLAMP11	0.7	\$18.65	\$12.12
12"	CTCLAMP12	1.3	\$18.65	\$12.12
14"	CTCLAMP14	1.4	\$20.31	\$13.20
16"	CTCLAMP16	1.6	\$22.45	\$14.59
18"	CTCLAMP18	1.7	\$23.28	\$15.14
20"	CTCLAMP20	1.9	\$24.35	\$15.83
22"	CTCLAMP22	1.9	\$25.54	\$16.60
24"	CTCLAMP24	2.2	\$29.34	\$19.07

Adjustable Clamp With Pin



- Adjustment screw provides variable tension for a perfect fit
- Internal gasket seal included
- Max temp: 160 Deg.

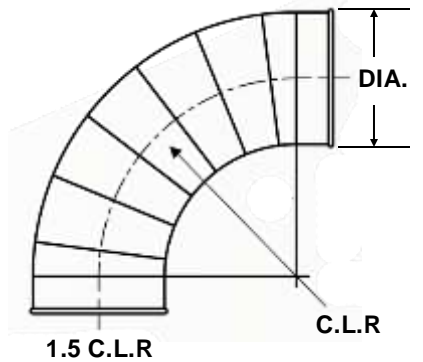
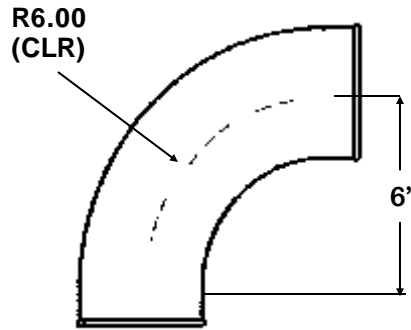
90° ELBOWS

DIA.	PART #	CLR	STYLE	GA.	WT.	REG. PRICE	35% OFF
3"	CTEL9003	1.5	P	24	0.9	\$55.12	\$35.83
4"	CTEL9004	1.5	P	24	1.0	\$68.07	\$44.25
5"	CTEL9005	1.5	P	24	1.2	\$75.44	\$49.03
6"	CTEL9006	1.5	P	24	1.5	\$84.94	\$55.21
7"	CTEL9007	1.5	S	24	2.2	\$113.34	\$73.67
8"	CTEL9008	1.5	S	22	6.1	\$165.13	\$107.34
9"	CTEL9009	1.5	S	22	7.6	\$171.43	\$111.43
10"	CTEL9010	1.5	S	22	9.0	\$178.44	\$115.98
11"	CTEL9011	1.5	S	22	10.5	\$226.55	\$147.26
12"	CTEL9012	1.5	S	22	12.4	\$226.55	\$147.26
14"	CTEL9014	1.5	S	20	19.0	\$240.69	\$156.45
16"	CTEL9016	1.5	S	20	24.0	\$246.99	\$160.54
18"	CTEL9018	1.5	S	20	30.9	\$347.25	\$225.71
20"	CTEL9020	1.5	S	20	35.9	\$405.11	\$263.32
22"	CTEL9022	1.5	S	20	43.0	\$521.18	\$338.76
24"	CTEL9024	1.5	S	20	55.5	\$599.23	\$389.50

P= Press Formed S= Segmented CLR= Center Line Radius

Elbows also available in 30 Deg. & 60 Deg.

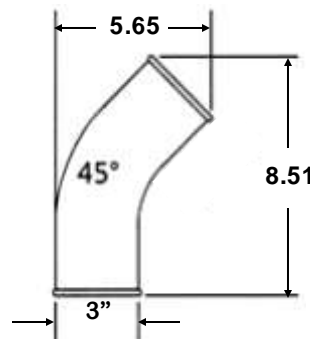
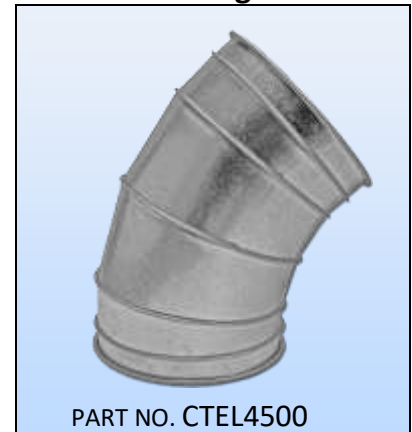
90° Elbow - Press Formed

90° Elbow - Segmented

45° ELBOWS

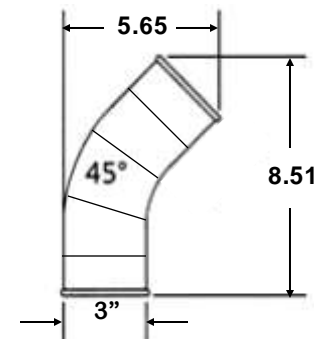
DIA.	PART #	CLR	STYLE	GA.	WT.	REG. PRICE	35% OFF
3"	CTEL4503	1.5	P	24	0.9	\$49.78	\$32.36
4"	CTEL4504	1.5	P	24	1.0	\$58.09	\$37.76
5"	CTEL4505	1.5	P	24	0.7	\$64.27	\$41.78
6"	CTEL4506	1.5	P	24	1.0	\$76.39	\$49.65
7"	CTEL4507	1.5	S	24	1.3	\$107.63	\$69.96
8"	CTEL4508	1.5	S	22	3.7	\$116.31	\$75.60
9"	CTEL4509	1.5	S	22	4.8	\$118.44	\$76.99
10"	CTEL4510	1.5	S	22	5.3	\$123.43	\$80.23
11"	CTEL4511	1.5	S	22	6.0	\$130.44	\$84.79
12"	CTEL4512	1.5	S	22	7.3	\$130.44	\$84.79
14"	CTEL4514	1.5	S	20	11.4	\$140.66	\$91.43
16"	CTEL4516	1.5	S	20	13.8	\$188.54	\$122.55
18"	CTEL4518	1.5	S	20	17.8	\$216.93	\$141.00
20"	CTEL4520	1.5	S	20	20.0	\$259.22	\$168.49
22"	CTEL4522	1.5	S	20	23.9	\$297.48	\$193.36
24"	CTEL4524	1.5	S	20	28.0	\$342.26	\$222.47

P= Press Formed S= Segmented CLR= Center Line Radius

45° Elbow - Press Formed

45° Elbow - Segmented


3" 45 Deg. Elbow (1.5 CLR)



3" 45 Deg. Elbow (1.5 CLR)

BRANCH (LATERAL WYE)

SIZE	PART #	ENDS	GA.	WT.	REG. PRICE	35%
3"	CTB03-XX-XX	CT	22	2.3	\$152.06	\$98.84
4"	CTB04-XX-XX	CT	22	3.0	\$152.06	\$98.84
5"	CTB05-XX-XX	CT	22	3.8	\$160.14	\$104.09
6"	CTB06-XX-XX	CT	22	4.3	\$165.49	\$107.57
7"	CTB07-XX-XX	CT	22	5.0	\$168.10	\$109.27
8"	CTB08-XX-XX	CT	22	6.0	\$172.02	\$111.81
9"	CTB09-XX-XX	CT	22	7.3	\$180.10	\$117.07
10"	CTB10-XX-XX	CT	22	8.5	\$192.10	\$124.86
11"	CTB11-XX-XX	CT	22	9.3	\$213.48	\$138.76
12"	CTB12-XX-XX	CT	20	10.8	\$213.48	\$138.76
14"	CTB14-XX-XX	CT	20	13.5	\$250.43	\$162.78
16"	CTB16-XX-XX	CT	20	17.6	\$288.33	\$187.41
18"	CTB18-XX-XX	CT	20	21.0	\$313.63	\$203.86
20"	CTB20-XX-XX	CT	20	30.0	\$377.55	\$245.41
22"	CTB22-XX-XX	CT	20	39.5	\$474.84	\$308.65
24"	CTB24-XX-XX	CT	20	53.5	\$546.00	\$354.90
26"	CTB26-XX-XX	FL	18	74.0	CALL	CALL
28"	CTB28-XX-XX	FL	18	98.0	CALL	CALL
30"	CTB30-XX-XX	FL	18	117.1	CALL	CALL

CT = CLAMP TOGETHER FL = FLANGE

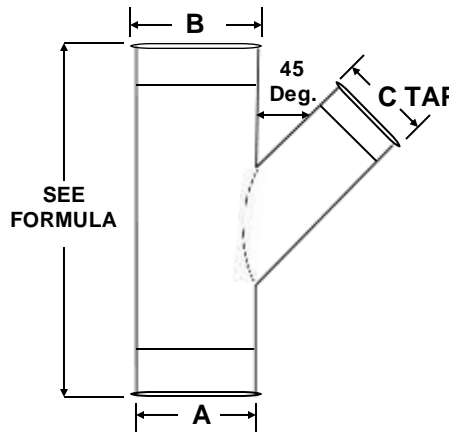
45° TAP DIA X 1.414 + 4 + 4.5" = OVERALL FITTING LENGTH

Branch



PART NO. CTB00-XX-XX

- All Branches priced by largest end A
- Specify A, B, C
- 45 Degree tap Standard
- Tapered branches available
- 26" and up are flanged. Additional cost for flange(s)



Y BRANCH (TRUE WYE)

SIZE	PART #	ENDS	GA.	WT.	REG. PRICE	35%
3"	CTY03-XX-XX	CT	22	1.5	\$195.54	\$127.10
4"	CTY04-XX-XX	CT	22	1.8	\$195.54	\$127.10
5"	CTY05-XX-XX	CT	22	2.0	\$206.12	\$133.98
6"	CTY06-XX-XX	CT	22	2.8	\$214.79	\$139.61
7"	CTY07-XX-XX	CT	22	3.3	\$221.09	\$143.71
8"	CTY08-XX-XX	CT	22	4.5	\$230.83	\$150.04
9"	CTY09-XX-XX	CT	22	5.3	\$247.34	\$160.77
10"	CTY10-XX-XX	CT	22	6.8	\$247.34	\$160.77
11"	CTY11-XX-XX	CT	22	8.0	\$284.05	\$184.63
12"	CTY12-XX-XX	CT	20	10.3	\$284.05	\$184.63
14"	CTY14-XX-XX	CT	20	14.0	\$342.03	\$222.32
16"	CTY16-XX-XX	CT	20	17.0	\$380.40	\$247.26
18"	CTY18-XX-XX	CT	20	20.0	\$422.57	\$274.67
20"	CTY20-XX-XX	CT	20	24.5	\$502.76	\$326.80
22"	CTY22-XX-XX	CT	20	29.0	\$577.49	\$375.37
24"	CTY24-XX-XX	CT	20	36.0	\$664.33	\$431.81
26"	CTY26-XX-XX	FL	18	69.0	CALL	CALL
28"	CTY28-XX-XX	FL	18	93.0	CALL	CALL
30"	CTY30-XX-XX	FL	18	112.0	CALL	CALL

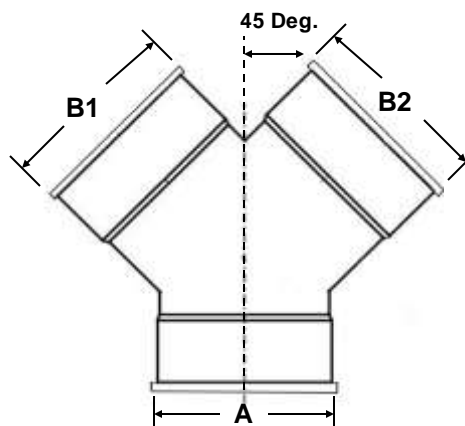
CT = CLAMP TOGETHER FL = FLANGE

Y Branch



PART NO. CTY00-XX-XX

- All Branches priced by largest end A
- Specify A and B
- 45 Degree tap standard
- 26" and up are flanged. Additional cost for flange(s)



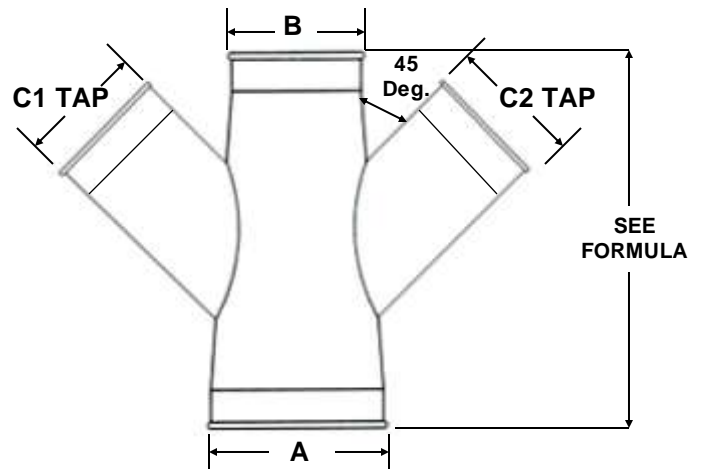
DOUBLE BRANCH (LATERAL DOUBLE WYE)

SIZE	PART #	ENDS	GA.	WT.	REG. PRICE	35%
3"	CTDB03-XX-XX-XX	CT	22	2.6	\$194.59	\$126.49
4"	CTDB04-XX-XX-XX	CT	22	3.5	\$194.59	\$126.49
5"	CTDB05-XX-XX-XX	CT	22	4.4	\$205.05	\$133.28
6"	CTDB06-XX-XX-XX	CT	22	5.0	\$213.84	\$139.00
7"	CTDB07-XX-XX-XX	CT	22	6.0	\$220.02	\$143.01
8"	CTDB08-XX-XX-XX	CT	22	7.3	\$230.00	\$149.50
9"	CTDB09-XX-XX-XX	CT	22	8.5	\$241.40	\$156.91
10"	CTDB10-XX-XX-XX	CT	22	10.0	\$246.27	\$160.08
11"	CTDB11-XX-XX-XX	CT	22	10.8	\$282.51	\$183.63
12"	CTDB12-XX-XX-XX	CT	22	12.3	\$282.51	\$183.63
14"	CTDB14-XX-XX-XX	CT	20	15.0	\$340.24	\$221.16
16"	CTDB16-XX-XX-XX	CT	20	19.6	\$378.62	\$246.10
18"	CTDB18-XX-XX-XX	CT	20	26.0	\$420.74	\$273.48
20"	CTDB20-XX-XX-XX	CT	20	35.0	\$500.50	\$325.33
22"	CTDB22-XX-XX-XX	CT	20	49.5	\$574.87	\$373.67
24"	CTDB24-XX-XX-XX	CT	20	68.4	\$661.12	\$429.73
26"	CTDB26-XX-XX-XX	FL	18	104.0	CALL	CALL
28"	CTDB28-XX-XX-XX	FL	18	128.0	CALL	CALL
30"	CTDB30-XX-XX-XX	FL	18	153.0	CALL	CALL
CT = CLAMP TOGETHER		FL = FLANGE				

45° TAP DIA X 1.414 + 4 + 4.5" = OVERALL FITTING LENGTH

Double Branch


- All branches priced by largest end A
- Specify A, B, C1, C2
- 45 degree tap standard
- 26" and up are flanged. Additional cost for flange(s)

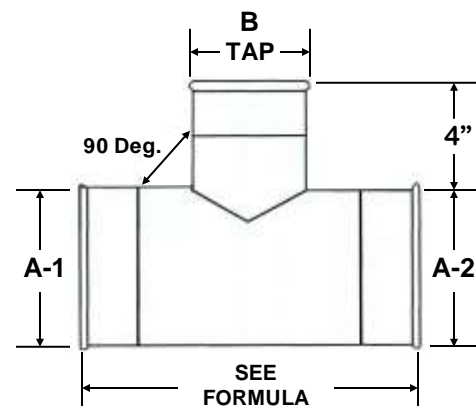

T-BRANCH

SIZE	PART #	ENDS	GA.	WT.	REG. PRICE	35%
3"	CTT03-XX	CT	22	1.5	\$154.44	\$100.39
4"	CTT04-XX	CT	22	2.0	\$154.44	\$100.39
5"	CTT05-XX	CT	22	2.8	\$162.28	\$105.48
6"	CTT06-XX	CT	22	3.2	\$167.75	\$109.03
7"	CTT07-XX	CT	22	4.0	\$169.71	\$110.31
8"	CTT08-XX	CT	22	4.8	\$174.64	\$113.51
9"	CTT09-XX	CT	22	5.5	\$182.48	\$118.61
10"	CTT10-XX	CT	22	6.0	\$194.59	\$126.49
11"	CTT11-XX	CT	22	7.5	\$216.33	\$140.62
12"	CTT12-XX	CT	22	8.8	\$216.33	\$140.62
14"	CTT14-XX	CT	20	12.0	\$254.11	\$165.17
16"	CTT16-XX	CT	20	14.0	\$292.25	\$189.96
18"	CTT18-XX	CT	20	18.3	\$317.91	\$206.64
20"	CTT20-XX	CT	20	20.5	\$382.77	\$248.80
22"	CTT22-XX	CT	20	24.8	\$481.05	\$312.68
24"	CTT24-XX	CT	20	29.0	\$553.73	\$359.92
26"	CTT26-XX	FL	18	40.3	CALL	CALL
28"	CTT28-XX	FL	18	45.0	CALL	CALL
30"	CTT30-XX	FL	18	58.5	CALL	CALL
CT = CLAMP TOGETHER		FL = FLANGE				

90° TAP DIA + 4 + 4.5" = OVERALL FITTING LENGTH

T-Branch


- All branches priced by largest end
- Specify A and B
- Both A ends are the same
- 26" and up are flanged. Additional cost for flange(s)



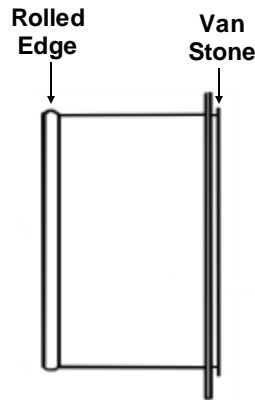
ANGLE FLANGE ADAPTER

DIA.	PART #	APPROX LENGTH	GA	WT.	REG. PRICE	35% OFF
3"	CTAFA03	5.0	22	1.4	\$59.76	\$38.84
4"	CTAFA04	3.5	22	1.7	\$59.76	\$38.84
5"	CTAFA05	3.5	22	2.1	\$62.85	\$40.85
6"	CTAFA06	3.5	22	2.5	\$75.20	\$48.88
7"	CTAFA07	3.5	22	3.1	\$81.26	\$52.82
8"	CTAFA08	3.5	22	3.2	\$84.59	\$54.98
9"	CTAFA09	3.5	22	5.0	\$94.68	\$61.54
10"	CTAFA10	3.5	22	5.6	\$99.79	\$64.86
11"	CTAFA11	3.5	22	6.1	\$110.60	\$71.89
12"	CTAFA12	5.0	22	7.2	\$110.60	\$71.89
13"	CTAFA13	5.0	20	7.0	\$115.35	\$74.98
14"	CTAFA14	5.0	20	7.7	\$125.45	\$81.54
15"	CTAFA15	5.0	20	9.2	\$136.03	\$84.54
16"	CTAFA16	5.0	20	11.0	\$144.58	\$81.54
18"	CTAFA18	5.0	20	15.2	\$154.80	\$88.42
20"	CTAFA20	5.0	20	19.5	\$177.96	\$93.98
22"	CTAFA22	5.0	20	26.1	\$143.33	\$100.62
24"	CTAFA24	5.0	20	30.0	\$164.78	\$115.68

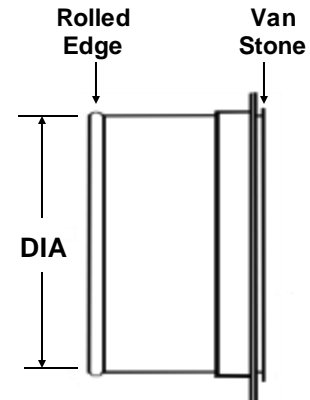
Angle Flange Adapter



- Angle Ring Flange standard (Galv.)
- Optional flat flange
- Specify hole pattern for flat flange (available at additional price)



Flat Flange (Optional)



Standard Angle Ring

IN-CUT SADDLE

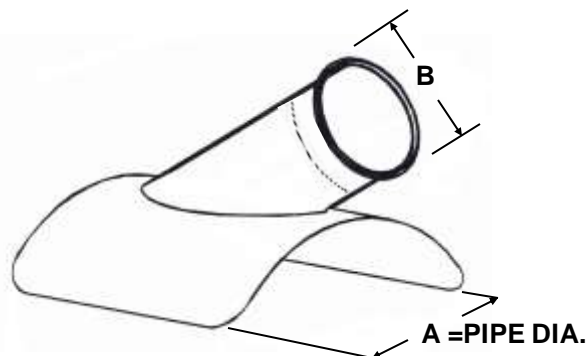
SIZE	PART #	ENDS	GA.	WT.	REG. PRICE	35% OFF
3"	CTIC03-XX	CT	22	1.3	\$68.79	\$44.71
4"	CTIC04-XX	CT	22	1.5	\$68.79	\$44.71
5"	CTIC05-XX	CT	22	2.1	\$70.45	\$45.79
6"	CTIC06-XX	CT	22	2.8	\$75.68	\$49.19
7"	CTIC07-XX	CT	22	3.5	\$80.07	\$52.05
8"	CTIC08-XX	CT	22	4.5	\$83.87	\$54.52
9"	CTIC09-XX	CT	22	5.4	\$87.56	\$56.91
10"	CTIC10-XX	CT	22	6.5	\$94.68	\$61.54
11"	CTIC11-XX	CT	22	7.6	\$101.93	\$66.25
12"	CTIC12-XX	CT	22	8.8	\$101.93	\$66.25
14"	CTIC14-XX	CT	20	13.7	\$115.35	\$74.98
16"	CTIC16-XX	CT	20	17.2	\$130.09	\$84.56
18"	CTIC18-XX	CT	20	21.3	\$144.34	\$93.82
20"	CTIC20-XX	CT	20	25.6	\$229.52	\$149.19
22"	CTIC22-XX	CT	20	30.5	\$315.77	\$205.25
24"	CTIC24-XX	CT	20	35.4	\$363.41	\$236.22
26"	CTIC26-XX	FL	18	40.3	CALL	CALL
28"	CTIC28-XX	FL	18	45.0	CALL	CALL
30"	CTIC30-XX	FL	18	56.5	CALL	CALL

CT = CLAMP TOGETHER FL = FLANGE

In-Cut



- Priced by B diameter
- Specify B diameter and A pipe diameter
- Standard rolled end
- 30°, 45°, 60° angles available
- 26" and up are flanged. Additional cost for flange(s)

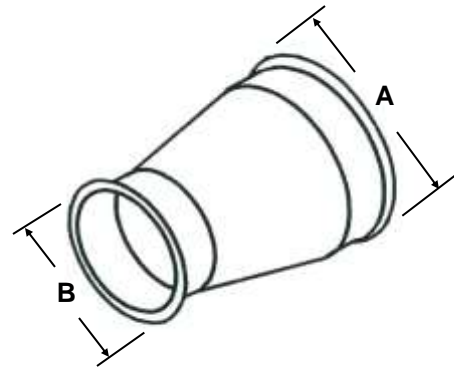


REDUCER

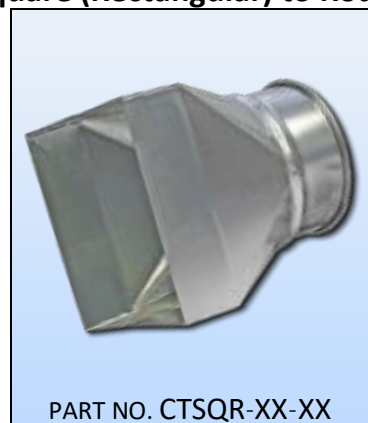
SIZE	PART #	GA.	WT.	REG. PRICE	35% OFF
4"	CTR04-XX	22	1.3	\$64.27	\$41.78
5"	CTR05-XX	22	1.5	\$65.46	\$42.55
6"	CTR06-XX	22	1.8	\$68.90	\$44.79
7"	CTR07-XX	22	2.0	\$69.38	\$45.10
8"	CTR08-XX	22	2.3	\$70.69	\$45.95
9"	CTR09-XX	22	2.5	\$80.07	\$52.05
10"	CTR10-XX	22	3.0	\$81.38	\$52.90
11"	CTR11-XX	22	3.5	\$95.87	\$62.32
12"	CTR12-XX	20	3.8	\$95.87	\$62.32
14"	CTR14-XX	20	4.5	\$114.29	\$74.29
16"	CTR16-XX	20	7.0	\$157.65	\$102.47
18"	CTR18-XX	20	21.0	\$165.18	\$107.37
20"	CTR20-XX	20	30.0	\$174.75	\$113.59
22"	CTR22-XX	20	39.5	\$199.11	\$129.42
24"	CTR24-XX	20	53.5	\$219.42	\$142.62

Reducer

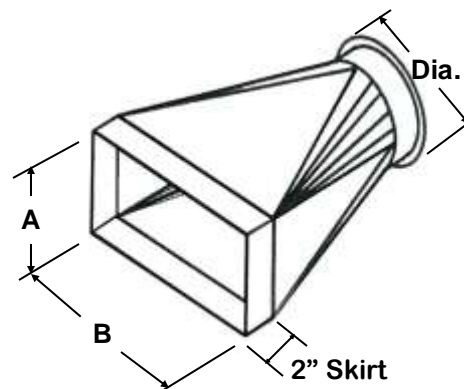

- Priced by largest end A
- Specify A, B, Diameter


SQUARE TO ROUND TRANSITION

SIZE	PART #	GA.	WT.	REG. PRICE	35% OFF
4"	CTSQ04-XX-XX	22	1.3	\$133.41	\$86.72
5"	CTSQ05-XX-XX	22	1.5	\$138.40	\$89.96
6"	CTSQ06-XX-XX	22	1.8	\$143.39	\$93.20
7"	CTSQ07-XX-XX	22	2.0	\$152.66	\$99.23
8"	CTSQ08-XX-XX	22	2.3	\$159.43	\$103.63
9"	CTSQ09-XX-XX	22	2.5	\$165.13	\$107.33
10"	CTSQ10-XX-XX	22	3.0	\$170.95	\$111.12
11"	CTSQ11-XX-XX	22	3.5	\$174.16	\$113.20
12"	CTSQ12-XX-XX	20	3.8	\$174.16	\$113.20
14"	CTSQ14-XX-XX	20	4.5	\$180.46	\$117.30
16"	CTSQ16-XX-XX	20	7.0	\$189.37	\$123.09
18"	CTSQ18-XX-XX	20	21.0	\$195.07	\$126.80
20"	CTSQ20-XX-XX	20	30.0	\$201.72	\$131.12
22"	CTSQ22-XX-XX	20	39.5	\$241.28	\$156.83
24"	CTSQ24-XX-XX	20	53.5	\$277.87	\$180.62

Square (Rectangular) to Round


- Priced by round end Dia.
- Specify A, B dimension
- Square (rectangular) ends to be approx. size of round end
- Standard with 2" skirt raw edge
- Angle flange available at additional cost



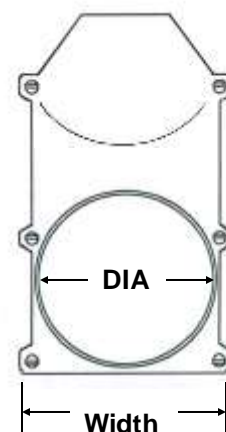
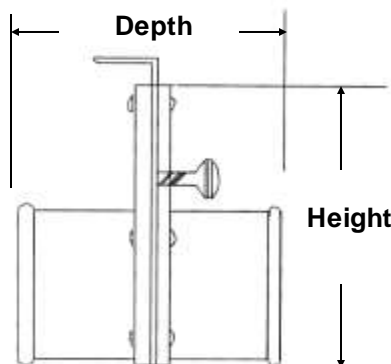
BLAST GATE MANUAL CAST ALUMINIM

DIA	PART #	ENDS	WIDTH	HGT.	DEPTH	WT.	REG. PRICE	35% OFF
3"	BGFRE03	CT	4.01	5.61	6.18	1.4	\$54.73	\$35.57
4"	BGFRE04	CT	5.00	6.86	5.66	1.8	\$57.73	\$37.52
5"	BGFRE05	CT	6.00	8.00	5.17	2.4	\$56.83	\$36.94
6"	BGFRE06	CT	7.00	10.00	5.70	3.4	\$74.71	\$48.56
7"	BGFRE07	CT	8.00	11.25	5.06	4.4	\$88.43	\$57.48
8"	BGFRE08	CT	9.63	12.63	5.82	5.6	\$104.64	\$68.02
9"	BGFRE09	CT	10.62	13.60	5.33	7.6	\$144.84	\$94.15
10"	BGFRE10	CT	11.38	14.38	5.99	8.4	\$184.07	\$119.65
12"	BGFRE12	CT	13.25	16.25	6.06	10.4	\$238.95	\$155.32
14"	BGFRE14	CT	15.76	18.97	6.26	14.2	\$353.85	\$230.00
16"	BGFRE16	CT	17.90	21.28	5.97	18.4	\$514.90	\$334.69
18"	BGFRE18	CT	20.23	32.82	9.04	22.4	\$654.19	\$425.22
20"	BGFRE20	CT	22.37	34.25	9.16	26.4	\$810.54	\$526.85
22"	BGFRE22	CT	24.60	34.21	9.11	30.0	\$885.07	\$575.30
24"	BGFRE24	CT	26.65	34.38	9.15	34.4	\$1,045.60	\$679.64
26"	BGFRE26	FL	29.25	CALL	CALL	62.0	CALL	CALL
28"	BGFRE28	FL	30.25	CALL	CALL	72.0	CALL	CALL
30"	BGFRE30	FL	33.25	CALL	CALL	97.0	CALL	CALL
		CT = CLAMP TOGETHER				FL = FLANGE		

Die Cast Aluminum Blast Gate



- Manually operated
- Aluminum body, galvanized blade
- Clamp together rolled end collars



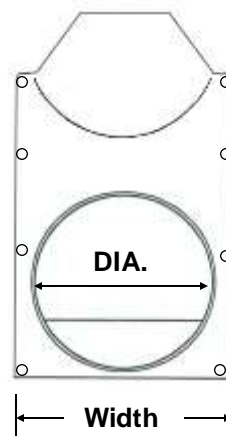
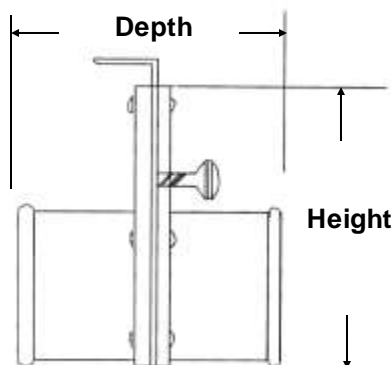
BLAST GATE ALL 304 STAINLESS

DIA	PART #	ENDS	WIDTH	HGT.	DEPTH	WT.	REG. PRICE	35% OFF
3"	BGRE03SS	CT	5.0	6.0	5.3	1.5	\$251.07	\$163.20
4"	BGRE04SS	CT	6.0	7.5	5.3	2.3	\$251.07	\$163.20
5"	BGRE05SS	CT	7.0	10.5	5.0	3.0	\$294.53	\$191.44
6"	BGRE06SS	CT	8.0	11.0	5.0	3.8	\$399.92	\$259.95
7"	BGRE07SS	CT	9.0	12.0	5.0	4.5	\$425.47	\$276.56
8"	BGRE08SS	CT	10.0	13.5	5.0	5.5	\$547.90	\$356.14
9"	BGRE09SS	CT	11.0	15.0	5.0	7.0	\$591.51	\$384.48
10"	BGRE10SS	CT	12.0	17.0	5.0	7.5	\$591.51	\$384.48
11"	BGRE11SS	CT	13.0	19.0	5.0	9.5	\$747.72	\$486.02
12"	BGRE12SS	CT	14.0	20.5	5.0	13.0	\$747.72	\$486.02
14"	BGRE14SS	CT	16.0	23.3	5.0	16.0	\$863.79	\$561.46
16"	BGRE16SS	CT	CALL	CALL	CALL	21.2	\$1,605.45	\$1,043.54
18"	BGRE18SS	CT	CALL	CALL	CALL	25.0	\$1,827.79	\$1,188.06
20"	BGRE20SS	CT	CALL	CALL	CALL	30.0	\$2,568.44	\$1,669.49
22"	BGRE22SS	CT	CALL	CALL	CALL	34.0	\$2,636.29	\$1,713.59
24"	BGRE24SS	CT	CALL	CALL	CALL	38.0	\$2,711.36	\$1,762.38
26"	BGRE26SS	FL	CALL	CALL	CALL	62.0	CALL	CALL
28"	BGRE28SS	FL	CALL	CALL	CALL	72.0	CALL	CALL
30"	BGRE30SS	FL	CALL	CALL	CALL	97.0	CALL	CALL
		CT = CLAMP TOGETHER				FL = FLANGE		

All Stainless Blast Gate



- Manually operated
- All stainless Steel
- 12 gauge stainless body, 12 gauge slide blade
- Clamp together rolled end collars



GALVANIZED AIR SEAL

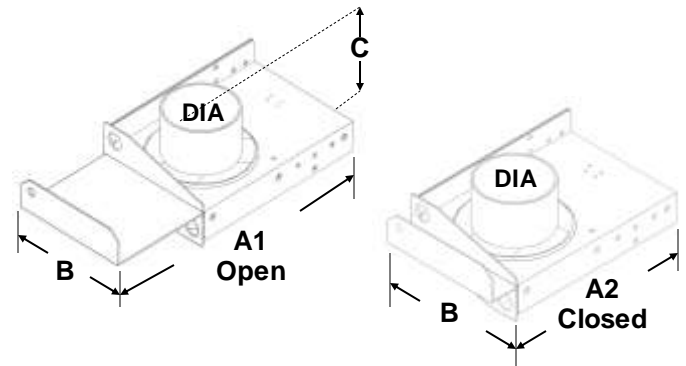
MANUAL BLAST GATE W/ UHMW SEALS

DIA	PART #	A1 INCH	A2 INCH	B INCH	C INCH	WT. GALV.	REG. PRICE	35% OFF
3"	BGASM03RE	14.56	9.68	6.00	5.86	4.8	\$471.48	\$306.46
4"	BGASM04RE	15.43	11.31	7.00	5.83	6.2	\$471.48	\$306.46
5"	BGASM05RE	18.31	11.37	7.93	5.84	7.8	\$498.16	\$323.80
6"	BGASM06RE	21.43	15.31	8.93	5.94	9.4	\$512.01	\$332.81
7"	BGASM07RE	23.43	15.31	9.00	5.68	15.0	\$549.62	\$357.25
8"	BGASM08RE	29.06	19.94	10.87	6.06	14.0	\$568.29	\$369.39
9"	BGASM09RE	31.06	21.00	12.00	5.68	28.0	\$603.49	\$392.27
10"	BGASM10RE	33.06	23.68	14.62	5.79	27.0	\$673.62	\$437.85
12"	BGASM12RE	40.18	28.19	16.56	5.79	35.8	\$697.76	\$453.54
14"	BGASM14RE	47.50	33.50	17.88	6.68	41.8	CALL	CALL
16"	BGASM16RE	53.50	37.50	19.88	6.68	47.8	CALL	CALL
18"	BGASM18RE	59.50	41.50	21.88	6.68	53.8	CALL	CALL
20"	BGASM20RE	65.50	45.50	23.88	6.68	59.8	CALL	CALL
22"	BGASM22RE	71.50	49.50	25.88	6.68	65.8	CALL	CALL

UHMW Galvanized Sealed Blast Gate



- Very low leakage
- Self cleaning for dust & fumes
- Galvanized construction with rolled ends
- Internal UHMW "ultra high molecular weight" seals



STAINLESS STEEL AIR SEAL

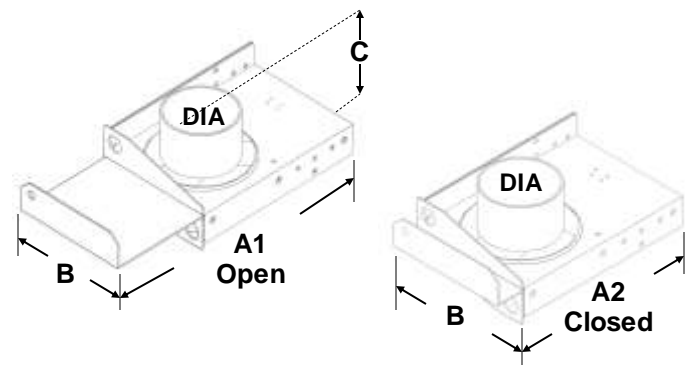
MANUAL BLAST GATE W/ UHMW SEALS

DIA	PART #	A1 INCH	A2 INCH	B INCH	C INCH	WT. SS 304	REG. PRICE	35% OFF
3"	BGASM03RESS	14.56	9.68	6.00	5.86	4.8	\$808.54	\$525.55
4"	BGASM04RESS	15.43	11.31	7.00	5.83	6.2	\$808.54	\$525.55
5"	BGASM05RESS	18.31	11.37	7.93	5.84	7.8	\$854.79	\$555.61
6"	BGASM06RESS	21.43	15.31	8.93	5.94	9.4	\$877.92	\$570.65
7"	BGASM07RESS	23.43	15.31	9.00	5.68	15.0	\$942.46	\$612.60
8"	BGASM08RESS	29.06	19.94	10.87	6.06	14.0	\$974.73	\$633.57
9"	BGASM09RESS	31.06	21.00	12.00	5.68	28.0	\$1,034.95	\$672.72
10"	BGASM10RESS	33.06	23.68	14.62	5.79	27.0	\$1,155.01	\$750.76
12"	BGASM12RESS	40.18	28.19	16.56	5.79	35.8	\$1,196.56	\$777.76
14"	BGASM14RESS	47.50	33.50	17.88	6.68	41.8	CALL	CALL
16"	BGASM16RESS	53.50	37.50	19.88	6.68	47.8	CALL	CALL
18"	BGASM18RESS	59.50	41.50	21.88	6.68	53.8	CALL	CALL
20"	BGASM20RESS	65.50	45.50	23.88	6.68	59.8	CALL	CALL
22"	BGASM22RESS	71.50	49.50	25.88	6.68	65.8	CALL	CALL

UHMW Stainless Sealed Blast Gate



- Very low leakage
- Self cleaning for dust & fumes
- 304 Stainless with rolled ends
- Internal UHMW "ultra high molecular weight" seals



AUTOMATIC DIE CAST ALUMINUM PNEUMATIC BLAST GATE

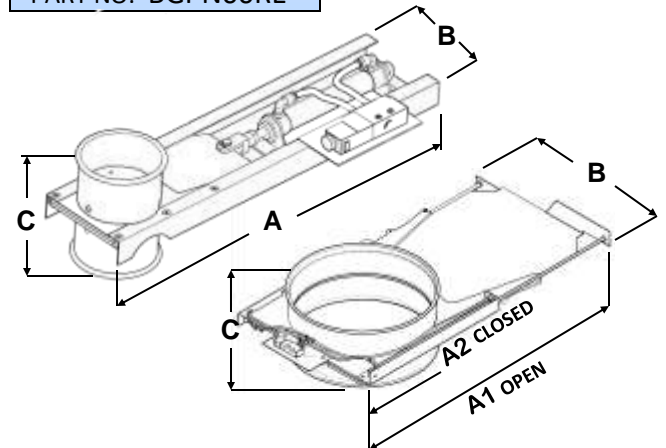
DIA	PART #	SINGLE CYLINDER			DOUBLE CYLINDER				WT.	REG PRICE	35% OFF
		A INCH	B INCH	C INCH	A1 INCH	A2 INCH	B INCH	C INCH			
3"	BGPN03RE	18.81	3.80	6.18	-	-	-	-	3.8	\$785.94	\$510.86
4"	BGPN04RE	21.76	4.11	5.66	-	-	-	-	4.8	\$785.94	\$510.86
5"	BGPN05RE	25.28	5.09	5.17	-	-	-	-	5.2	\$801.56	\$521.01
6"	BGPN06RE	-	-	-	27.81	6.10	5.70	-	7.0	\$801.56	\$521.01
7"	BGPN07RE	-	-	-	31.53	7.10	5.06	-	8.2	\$864.44	\$561.89
8"	BGPN08RE	-	-	-	22.50	13.50	11.60	5.82	8.5	\$942.96	\$612.92
9"	BGPN09RE	-	-	-	24.50	14.38	12.60	5.33	8.5	\$982.47	\$638.61
10"	BGPN10RE	-	-	-	27.60	15.38	13.37	5.99	10.5	\$982.47	\$638.61
12"	BGPN12RE	-	-	-	30.57	17.31	13.26	6.03	13.7	\$1,021.73	\$664.12
14"	BGPN14RE	-	-	-	35.49	20.00	17.99	6.26	15.8	\$1,139.64	\$740.77
16"	BGPN16RE	-	-	-	39.79	22.25	20.11	5.97	17.9	\$1,273.04	\$827.48
18"	BGPN18RE	-	-	-	42.13	24.13	21.98	9.04	20.1	\$1,414.57	\$919.47
20"	BGPN20RE	-	-	-	44.93	24.93	24.40	9.16	22.3	\$1,524.60	\$990.99
22"	BGPN22RE	-	-	-	49.10	27.10	27.00	9.11	24.5	\$1,666.00	\$1,082.90
24"	BGPN24RE	-	-	-	53.17	29.17	29.20	9.15	26.7	\$1,854.68	\$1,205.54

Stainless Steel Available
All cylinders have internal magnets

Automatic Die Cast Aluminum Pneumatic



- Cast aluminum body w/ galv. slide blade, rolled edges
- Operated by 90-100 P.S.I. compressed air
- 120VAC or 240VDC electric coil, please specify
- Designed for dust & fumes
- Single cylinders 3" to 5". Double cylinder (compact series) 6" to 24"



AUTOMATIC GALVANIZED AIR SEAL PNEUMATIC

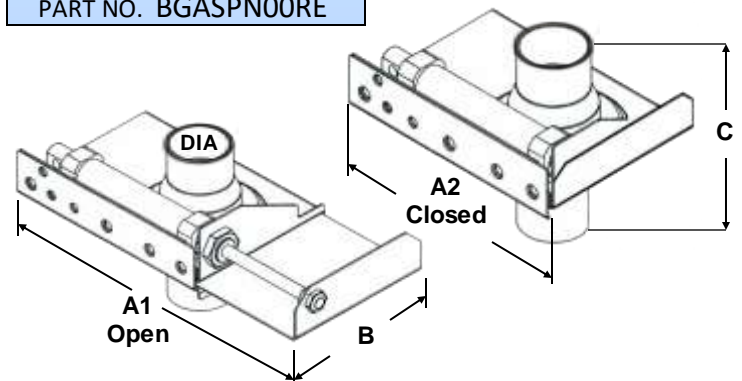
DIA	PART #	CYL	A1 INCH	A2 INCH	B INCH	C INCH	WT.	REG PRICE	35% OFF
3"	BGASPN03RE	1	14.57	10.32	6.00	5.86	4.8	\$1,130.62	\$734.90
4"	BGASPN04RE	1	15.45	10.32	7.00	5.83	6.2	\$1,130.62	\$734.90
5"	BGASPN05RE	1	18.32	12.32	7.94	5.84	7.8	\$1,187.15	\$771.65
6"	BGASPN06RE	2	21.43	14.25	8.94	5.94	7.8	\$1,187.15	\$771.65
7"	BGASPN07RE	2	29.07	18.13	10.88	5.68	9.4	\$1,215.49	\$790.07
8"	BGASPN08RE	2	29.07	18.13	10.88	6.06	14.0	\$1,215.49	\$790.07
10"	BGASPN10RE	2	32.07	22.13	14.63	5.79	27.0	\$1,307.34	\$849.77
12"	BGASPN12RE	2	40.18	27.18	16.56	5.79	35.8	\$1,342.67	\$872.73
14"	BGASPN14RE	2	47.50	33.50	17.88	6.68	41.8	CALL	CALL
16"	BGASPN16RE	2	53.50	37.50	19.88	6.68	27.8	CALL	CALL
18"	BGASPN18RE	2	59.50	41.50	21.88	6.68	53.8	CALL	CALL
20"	BGASPN20RE	2	65.50	45.50	23.88	6.68	59.8	CALL	CALL
22"	BGASPN22RE	2	71.50	49.50	25.88	6.68	65.8	CALL	CALL
24"	BGASPN24RE	2	77.50	53.50	27.88	6.68	71.8	CALL	CALL

Stainless steel available
All cylinders have internal magnets

Automatic Galv. Pneumatic Blast Gate



- UHMW (Ultra High Molecular Weight) seals
- Very low leakage
- Designed for dust & fumes
- 120VAC or 24VDC valve/coil. Please specify
- Single cylinder 3" to 7" Double cylinder 8" to 24"
- All galv. w/ rolled edges



REED SWITCH W/MOUNTING STRAP

PART #	PRICE (SET OF 2)	35% OFF PRICE
BGRS02	\$109.12	80.83

- Senses when blast Gate is open/closed
- Used with all automatic Blast Gates

T-7 MULTIPURPOSE

DIA.	PART #	WT. PER FT.	35% OFF PRICE
2"	HT702	0.2	\$3.95
2.5"	HT72.5	0.3	\$5.28
3"	HT703	0.3	\$5.88
3.5"	HT73.5	0.4	\$7.20
4"	HT704	0.5	\$7.62
5"	HT705	0.6	\$8.08
6"	HT706	0.9	\$8.91
7"	HT707	1.0	\$10.18
8"	HT708	1.0	\$11.48
10"	HT710	1.6	\$15.92
12"	HT712	2.0	\$19.05
PRICED PER FOOT			

Black Rubber Hose


PART NO. HT700

- Black thermoplastic rubber flexible hose w/ steel helix
- Dust, materials, fumes
- Sold in 5' increments
- Use CTHA hose adapter with this hose (see page 12)
- Larger diameter hose is available

Standard Hose Clamp - Stainless


PART NO. HC00

- All stainless steel construction

STAINLESS HOSE CLAMP

DIA.	PART #	WT.	35% OFF PRICE
2"	HC02	0.05	\$2.30
2.5"	HC2.5	0.06	\$2.30
3"	HC03	0.06	\$2.30
4"	HC04	0.07	\$3.70
5"	HC05	0.08	\$4.59
6"	HC06	0.09	\$5.49
7"	HC07	0.10	\$6.88
8"	HC08	0.14	\$6.88
10"	HC10	0.17	\$7.79
12"	HC12	0.20	\$11.22

R-4 FLEXHOSE

DIA.	PART #	WT. PER FT.	35% OFF PRICE
2"	HR402	0.2	\$3.95
2.5"	HR402.5	0.3	\$5.44
3"	HR403	0.3	\$6.06
4"	HR404	0.5	\$6.93
5"	HR405	0.6	\$7.77
6"	HR406	0.9	\$8.12
7"	HR407	1.0	\$10.11
8"	HR408	1.0	\$11.33
10"	HR410	1.6	\$14.35
12"	HR412	2.0	\$17.41
PRICED PER FOOT			

Clear PVC Hose


PART NO. HR400

- Clear FDA approved flexible PVC hose w/ steel helix
- Dust, materials, fumes
- Sold in 5' increments
- Use CTHA hose adapter with this hose (see page 12)

Bridge Clamp - Stainless


PART NO. BC00

- Conforms over wire helix for a more secure fit
- All stainless steel

ATEX POLYFLEX 30

DIA.	PART #	WT. PER FT.	35% OFF PRICE
2"	HATEX3002	0.3	\$7.70
2.5"	HATEX3002.5	0.4	\$8.98
3"	HATEX3003	0.5	\$9.01
4"	HATEX3004	0.8	\$11.36
5"	HATEX3005	1.0	\$13.60
6"	HATEX3006	1.5	\$16.79
7"	HATEX3007	1.5	\$17.16
8"	HATEX3008	2.0	\$17.16
10"	HATEX3010	2.0	\$26.87
12"	HATEX3012	3.0	\$26.48
14"	HATEX3014	3.5	\$33.74
PRICED PER FOOT			

Clear Polyurethane


PART NO. HATEX3000

Metric sizes on page 19

- ATEX Certified for combustible dusts (wood dust, powders, plastics)
- Static dissipative, flame retardant
- Highly abrasive resistant polyurethane. Spring Steel Helix
- Replaces standard urethane, PVC & thermo-plastic hoses.
- Temp -25° F to 225° F., Wall .031
- Bridge clamp recommended : BC-XX

BRIDGE HOSE CLAMP

DIA.	PART #	WT.	35% OFF PRICE
2"	BC02	0.2	\$5.04
2.5"	BC2.5	0.3	\$5.46
3"	BC03	0.3	\$5.46
3.5"	BC3.5	0.4	\$5.96
4"	BC04	0.5	\$5.96
5"	BC05	0.6	\$6.54
6"	BC06	0.7	\$8.14
7"	BC07	0.9	\$9.24
8"	BC08	1.0	\$10.00
10"	BC10	1.0	\$11.76
12"	BC12	1.2	\$16.96

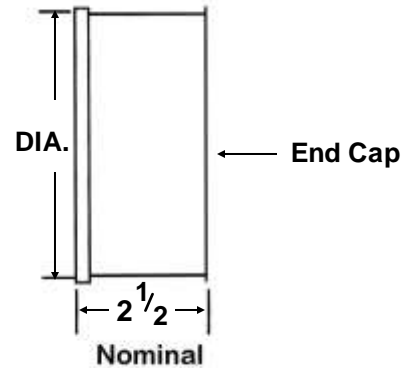
END CAP

DIA.	PART #	GA.	WT.	REG. PRICE	35% OFF
3"	CTEC03	18	0.3	\$19.60	\$12.74
4"	CTEC04	22	0.4	\$19.60	\$12.74
5"	CTEC05	22	0.5	\$21.15	\$13.75
6"	CTEC06	22	0.7	\$23.88	\$15.52
7"	CTEC07	22	0.9	\$26.85	\$17.45
8"	CTEC08	22	1.1	\$28.39	\$18.46
9"	CTEC09	22	1.4	\$31.01	\$20.15
10"	CTEC10	22	1.7	\$32.43	\$21.08
11"	CTEC11	22	1.9	\$34.21	\$22.24
12"	CTEC12	22	2.1	\$34.21	\$22.24
14"	CTEC14	20	3.1	\$36.47	\$23.71
16"	CTEC16	20	4.0	\$38.37	\$24.94
18"	CTEC18	20	4.9	\$40.75	\$26.49
20"	CTEC20	20	5.5	\$43.36	\$28.19
22"	CTEC22	20	6.3	\$44.67	\$29.03
24"	CTEC24	20	7.9	\$51.68	\$33.59

End Cap



- End Caps enable users to close off taps for future use
- End Caps larger than 24" will be a flat plate and angle rings. Call for pricing



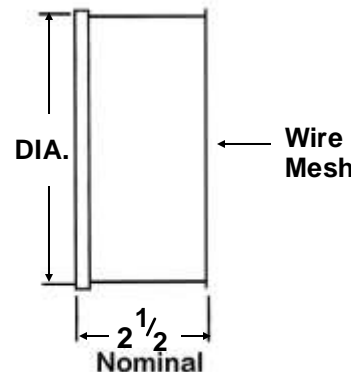
END CAP WITH BIRD SCREEN

DIA.	PART #	GA.	WT.	REG. PRICE	35% OFF
3"	CTECBS03	18	0.3	\$49.54	\$32.20
4"	CTECBS04	22	0.3	\$49.54	\$32.20
5"	CTECBS05	22	0.4	\$51.68	\$33.59
6"	CTECBS06	22	0.5	\$53.58	\$34.83
7"	CTECBS07	22	0.6	\$57.26	\$37.22
8"	CTECBS08	22	0.7	\$58.69	\$38.15
9"	CTECBS09	22	0.8	\$61.30	\$39.85
10"	CTECBS10	22	0.9	\$62.61	\$40.69
11"	CTECBS11	22	1.0	\$64.63	\$42.01
12"	CTECBS12	22	1.0	\$64.63	\$42.01
14"	CTECBS14	20	1.3	\$66.65	\$43.32
16"	CTECBS16	20	1.5	\$68.31	\$44.40
18"	CTECBS18	20	1.8	\$71.16	\$46.25
20"	CTECBS20	20	1.9	\$73.42	\$47.72
22"	CTECBS22	20	2.1	\$74.96	\$48.73
24"	CTECBS24	20	2.9	\$86.01	\$55.91

End Cap With Bird Screen

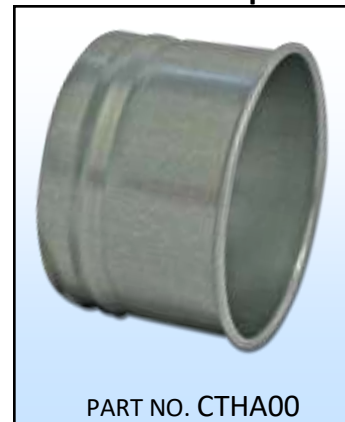


- End Caps with bird screen 1/2" wire mesh
- End Caps larger than 24" will have expanded metal. Call for pricing

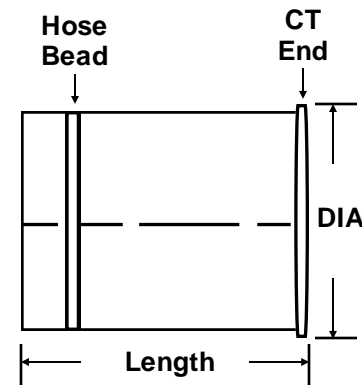


HOSE ADAPTER

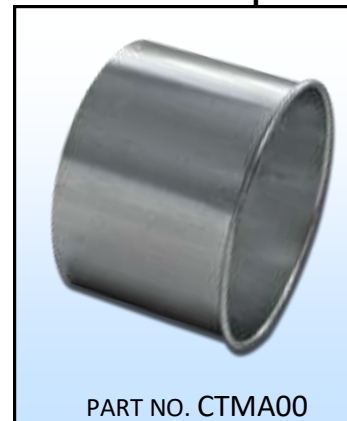
DIA	PART #	APPROX. LENGTH	GA.	WT.	REG. PRICE	35% OFF
3"	CTHA03	5.5	22	0.6	\$28.63	\$18.61
4"	CTHA04	4.0	22	0.8	\$28.63	\$18.61
5"	CTHA05	4.0	22	1.0	\$31.96	\$20.77
6"	CTHA06	4.0	22	1.1	\$37.54	\$24.40
7"	CTHA07	4.0	22	1.3	\$40.51	\$26.33
8"	CTHA08	4.0	22	1.5	\$43.36	\$28.19
9"	CTHA09	4.0	22	1.7	\$45.86	\$29.81
10"	CTHA10	4.0	22	2.0	\$48.71	\$31.66
11"	CTHA11	4.0	22	2.1	\$52.15	\$33.90
12"	CTHA12	4.0	22	2.3	\$52.15	\$33.90
14"	CTHA14	5.5	20	2.7	\$55.00	\$35.75
16"	CTHA16	5.5	20	3.2	\$57.62	\$37.45
18"	CTHA18	5.5	20	3.5	\$63.56	\$41.31
20"	CTHA20	5.5	20	4.0	\$65.58	\$42.63
22"	CTHA22	5.5	20	4.3	\$72.23	\$46.95
24"	CTHA24	5.5	20	5.6	\$82.92	\$53.90

Hose Adapter


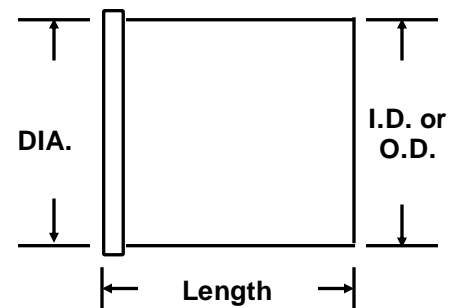
- Used to connect flex hose
- Not designed for use with metal flex hose


MACHINE ADAPTER

DIA	PART #	RAW ID	RAW OD	GA.	WT.	REG. PRICE	35% OFF
3"	CTMA03	2.90"	3.00"	22	0.6	\$28.27	\$18.38
4"	CTMA04	3.86"	3.93"	22	0.8	\$28.27	\$18.38
5"	CTMA05	4.87"	4.94"	22	1.0	\$31.36	\$20.39
6"	CTMA06	5.89"	5.96"	22	1.1	\$36.83	\$23.94
7"	CTMA07	6.89"	6.96"	22	1.4	\$39.44	\$25.64
8"	CTMA08	7.88"	7.95"	22	1.5	\$42.53	\$27.64
9"	CTMA09	8.88"	8.95"	22	1.8	\$45.03	\$29.27
10"	CTMA10	9.89"	9.95"	22	2.0	\$48.00	\$31.20
11"	CTMA11	10.88"	10.94"	22	2.1	\$51.08	\$33.20
12"	CTMA12	11.97"	12.04"	22	2.3	\$51.08	\$33.20
14"	CTMA14	13.96"	14.04"	20	2.7	\$54.05	\$35.14
16"	CTMA16	15.97"	16.04"	20	3.2	\$56.55	\$36.76
18"	CTMA18	17.96"	18.04"	20	3.5	\$62.37	\$40.54
20"	CTMA20	19.96"	20.04"	20	3.9	\$64.51	\$41.93
22"	CTMA22	21.97"	22.05"	20	4.3	\$70.80	\$46.02
24"	CTMA24	23.94"	24.02"	20	5.6	\$81.62	\$53.05

Machine Adapter


- Standard style is one end raw, Other end is rolled
- Approx. lengths 4" - 5.5"
- Please specify I.D. or O.D.
- Size required



BALL JOINTS

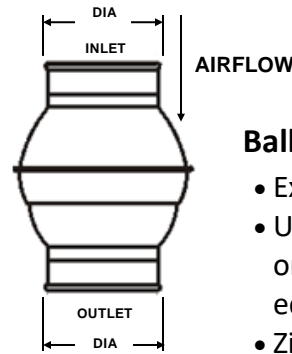
SIZE	PART #	L	W	WT	DEG.	REG. PRICE	35% OFF
3"	CTBJ03	8.87	5 3/8	1.0	23	\$226.22	\$147.04
4"	CTBJ04	9.50	7 1/2	2.1	23	\$236.65	\$153.82
5"	CTBJ05	11.00	9	3.2	27	\$267.76	\$174.05
6"	CTBJ06	11.75	10 3/8	3.9	27	\$299.02	\$194.36
7"	CTBJ07	11.37	10 3/8	4.0	15	\$348.67	\$226.63
8"	CTBJ08	14.00	13	5.0	27	\$398.34	\$258.92
9"	CTBJ09	14.37	14 5/8	6.0	27	\$460.03	\$299.02
10"	CTBJ10	14.25	14 3/4	9.0	22	\$523.08	\$340.00
12"	CTBJ12	15.25	16.1/2	9.3	20	\$585.33	\$380.46

CT = CLAMP TOGETHER WT=LBS L= LENGTH W=WIDTH

Ball Joints



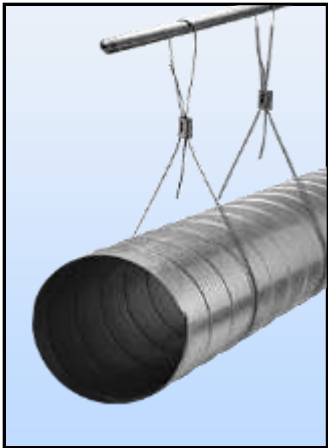
PART NO. CTBJ00



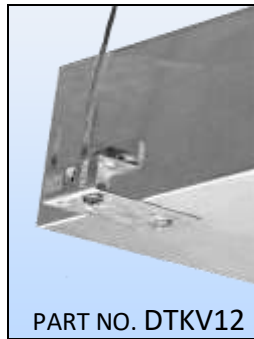
Ball Joints

- Extends life of Flex hose
- Used on CNC machines or other articulating equipment
- Zinc plated

CABLE DUCT HANGER



KV BRACKET



PART NO. DTKV12

- KV Bracket must be hung at a 90 degree angle to the suspension point
- Used for hanging rectangular duct

PART #	MAX LOAD	PRICE 10 CT
DTKV12	150 LBS	\$38.22

CABLE LOCKS



PART #	MAX LOAD	PAIRS W/ WIRE SIZE	PRICE 10 CT
DTCL12	150 LBS	3/32"	\$31.77
DTCL18	250 LBS	1/8"	\$50.07
DTCL23	640 LBS	3/16"	\$72.09

LOOPED CABLE



PART NO. DTLCK0000

- Sold as a kit with a cable lock
- 15 ft long

PART #	MAX LOAD	LOCK	PRICE 1 PACK
DTLCK33215E	25-150 LBS	CL12	\$10.74
DTLCK1815	25-250 LBS	CL18	\$13.95

CABLE



PART NO. DTWR00000

- Aviation grade galvanized wire rope

DIA	PART #	FT/ROLL	PRICE
3/32	DTWR332500	500 FT	\$88.92
1/8	DTWR18500	500 FT	\$99.71
3/16	DTWR316250	250 FT	\$89.21

CABLE CUTTER



PART NO. DTRWC

PART #	DISC. PRICE
DTWRC	\$70.77

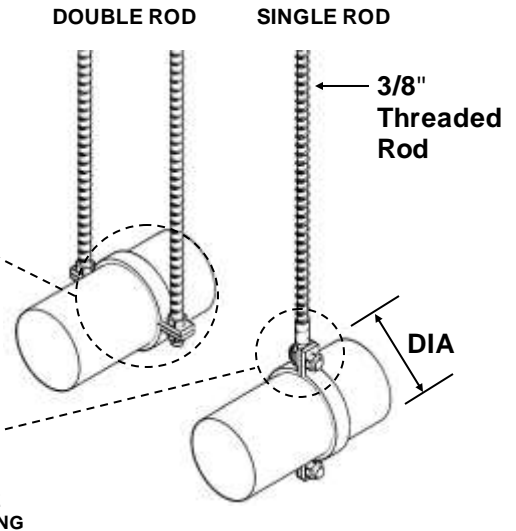
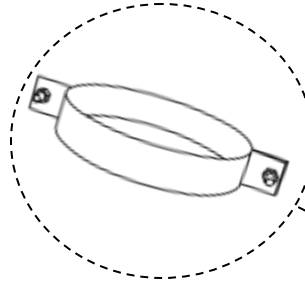
- Spring loaded for ease of use and safety

PIPE HANGER

DIA	PART #	WT.	REG. PRICE
3"	HR03	0.4	\$6.48
4"	HR04	0.5	\$6.48
5"	HR05	0.5	\$8.19
6"	HR06	0.5	\$8.19
7"	HR07	0.6	\$8.19
8"	HR08	0.7	\$9.83
9"	HR09	0.8	\$12.21
10"	HR10	0.9	\$12.78
11"	HR11	1.0	\$14.25
12"	HR12	1.0	\$14.25
14"	HR14	1.2	\$16.21
16"	HR16	1.4	\$21.05
18"	HR18	1.5	\$22.37
20"	HR20	1.8	\$24.50
22"	HR22	6.0	\$30.14
24"	HR24	6.0	\$34.48

Pipe Hanger

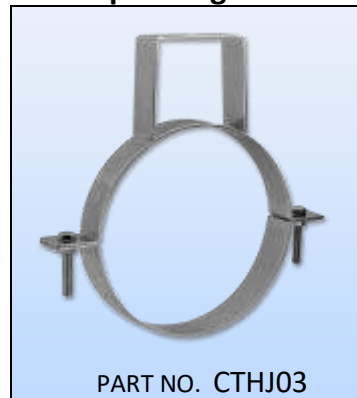

- 1 1/2" Wide 14 gauge galvanized construction
- Can be used as a single or double rod hanger


EYE COUPLING

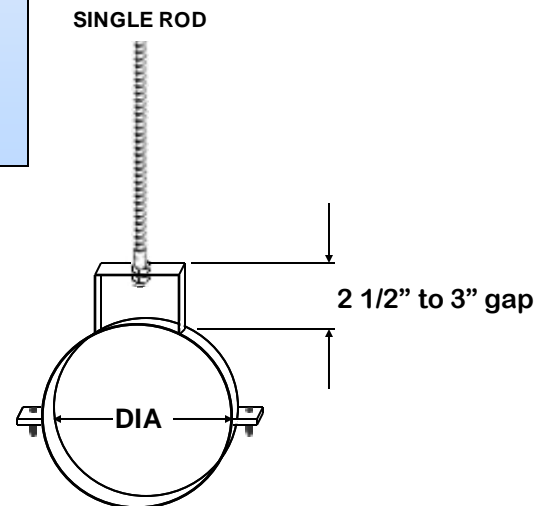
DIA	PART #	WT.	REG. PRICE	35% OFF
3/8	TREC38E	0.2	\$2.33	\$1.51

PIPE HANGER HJ

DIA	PART #	WT.	REG. PRICE	35% OFF
3"	CTHJ03	0.4	\$18.65	\$12.12
4"	CTHJ04	0.5	\$18.65	\$12.12
5"	CTHJ05	0.6	\$20.91	\$13.59
6"	CTHJ06	0.7	\$23.64	\$15.37
7"	CTHJ07	0.8	\$23.64	\$15.37
8"	CTHJ08	0.9	\$28.27	\$18.38
9"	CTHJ09	1.1	\$34.93	\$22.70
10"	CTHJ10	1.1	\$37.18	\$24.17
11"	CTHJ11	1.3	\$41.22	\$26.80
12"	CTHJ12	1.4	\$41.22	\$26.80
13"	CTHJ13	1.6	\$47.04	\$30.58
14"	CTHJ14	1.8	\$47.04	\$30.58
16"	CTHJ16	2.2	\$64.63	\$42.01
18"	CTHJ18	2.8	\$67.24	\$43.71
20"	CTHJ20	3.4	\$71.04	\$46.18
22"	CTHJ22	4.1	\$87.20	\$56.68
24"	CTHJ24	5.0	\$100.39	\$65.25

Pipe Hanger HJ


- 3" to 24", 14 gauge galvanized construction
- Bolts are supplied with hanger



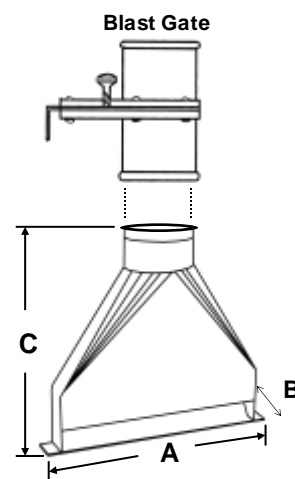
FLOOR SWEEPS - HEAVY DUTY INDUSTRIAL

SIZE	PART #	ENDS	A INCH	B INCH	C INCH	WT.	REG. PRICE	35% OFF
4"	CTFS04	CT	12	1.5	18	6.9	\$261.84	\$170.19
5"	CTFS05	CT	16	1.5	18	7.3	\$275.02	\$178.76
6"	CTFS06	CT	16	1.5	18	7.6	\$287.85	\$187.10

CT = CLAMP TOGETHER ~ ADDITIONAL SIZES AVAILABLE

Floor Sweeps

- Quick and effective floor cleaning
- Blast Gate required to close Floor Sweep
- Blast Gate sold separately

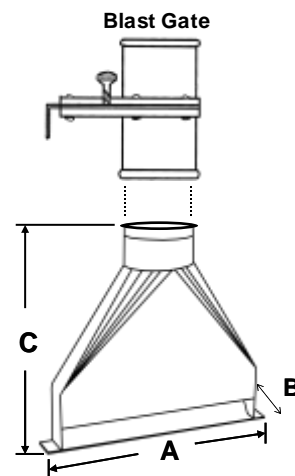


FLOOR SWEEPS - LIGHT DUTY

DIA	PART #	A INCH	B INCH	C INCH	WT.	REG. PRICE	35% OFF
4"	CTFS0424	14	1.5	10	1.6	\$172.71	\$112.26
5"	CTFS0524	16	1.5	10	1.8	\$184.96	\$120.22
6"	CTFS0624	20	1.5	10.2	2.3	\$188.62	\$122.60

Floor Sweeps

- Quick and effective floor cleaning
- Blast Gate required to close Floor Sweep
- Blast Gate sold separately

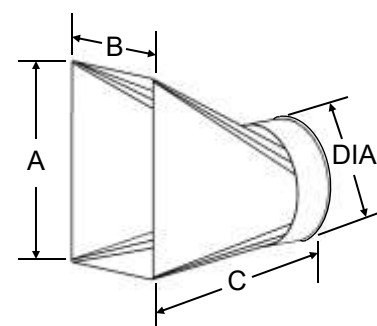


HORIZONTAL CAPTURE HOOD

DIA	PART #	A INCH	B INCH	C INCH	WT.	REG. PRICE	35% OFF
3"	CTHH363	6	3	11.5	1.0	\$132.51	\$86.13
4"	CTHH484	8	4	10.0	1.0	\$135.91	\$88.34
5"	CTHH5105	10	5	12.3	1.8	\$154.44	\$100.39
6"	CTHH6106	10	6	11.5	2.0	\$175.02	\$113.77

Horizontal Capture Hood

- Great for capturing saw dust or fumes
- Effective in any position
- 24 ga. Galvanized steel construction
- New lower price



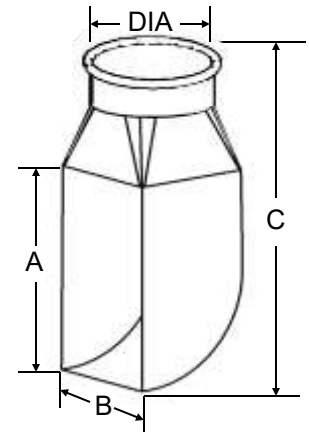
VERTICAL CAPTURE HOOD

DIA	PART #	A INCH	B INCH	C INCH	WT.	REG. PRICE	35% OFF
4"	CTHV484	8	4	12.2	1.1	\$150.25	\$97.66
5"	CTHV5105	10	5	14.2	1.5	\$158.54	\$103.05

Vertical Capture Hood

- Great for capturing saw dust or fumes
- Effective in any position
- 24 ga. Galvanized steel construction
- New lower price

Vertical Capture Hood



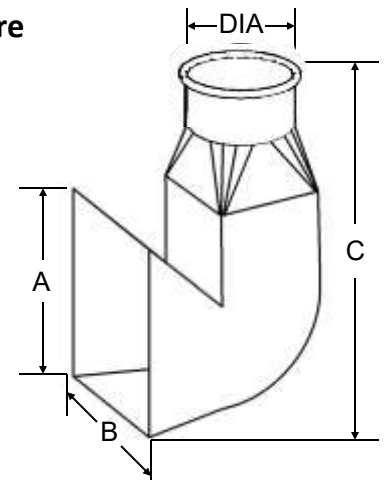
VERTICAL CAPTURE HOOD WITH FRONT FLARE

DIA	PART #	A INCH	B INCH	C INCH	WT.	REG. PRICE	35% OFF PRICE
4"	CTHVFF04	7	6	11.0	2.0	\$285.49	\$185.57

Vertical Capture Hood W/ Front Flare

- Great for capturing dust from surface grinders or radial arm saws
- Effective in any position
- 24 ga. Galvanized steel construction
- New lower price

Vertical Hood w/ Front Flare



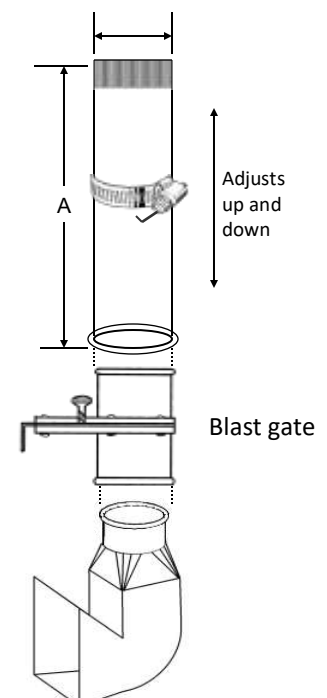
TELESCOPING JOINT

DIA	PART #	A INCH	WT.	REG. PRICE	35% OFF
4"	CTTJ04	20	3.0	\$156.27	\$101.58
5"	CTTJ05	20	4.0	\$174.54	\$113.45

Telescoping Joint

- Used for adjusting any 4" or 5" hood in position to capture dust or fumes
- One end I.D. and the other CT
- Blast gate sold separately. See page 7
- Hood sold separately

Telescoping Joint



NRV

DIA	PART #	A	B	C	D	E	F	G	H	I	WT. LBS.	PRICE
7"	EM-NRV07	14.1	13.3	21.6	13.3	11.8	7.0	6.6	-	-	45.0	
8"	EM-NRV08	14.1	13.3	21.6	13.3	11.8	7.0	6.6	-	-	45.0	
10"	EM-NRV10	16.1	15.3	23.6	15.3	12.7	8.0	7.6	-	-	56.0	
12"	EM-NRV12	18.1	17.3	26.3	17.3	13.7	9.0	8.6	-	4.5	84.0	
14"	EM-NRV14	20.0	19.2	28.3	19.2	14.7	10.0	9.6	-	4.5	100.0	
16"	EM-NRV16	22.0	23.2	30.3	23.2	15.7	11.0	10.6	13.7	6.4	120.0	CALL
18"	EM-NRV18	24.0	25.1	32.2	25.1	16.7	12.0	11.6	15.7	8.4	150.0	FOR
20"	EM-NRV20	25.9	27.1	34.2	27.1	17.7	12.9	12.5	18.1	12.4	177.0	PRICING
22"	EM-NRV22	27.9	29.1	36.2	29.1	18.7	13.9	12.5	19.6	8.4	221.0	
24"	EM-NRV24	29.9	31.1	38.1	31.1	19.6	14.9	14.5	21.6	10.4	254.0	
26"	EM-NRV26	31.8	33.0	40.1	33.0	20.6	15.9	15.5	23.8	12.4	276.0	
28"	EM-NRV28	33.8	35.0	42.1	35.0	21.6	16.9	16.5	25.5	12.4	298.0	
32"	EM-NRV32	38.5	40.1	52.3	40.1	25.9	25.9	18.8	28.1	14.1	728.0	
36"	EM-NRV36	42.5	44.5	56.2	44.5	27.9	27.9	20.8	27.9	14.1	860.0	
40"	EM-NRV40	46.1	48.0	60.2	48.0	29.9	29.9	22.8	35.8	14.1	999.0	
NRV PRESSURE DROP FOR SIZES 7" TO 14" IS 0.39 / SIZES 16" TO 28" IS 0.63												
NRV PRESSURE DROP FOR SIZES 32" TO 40" IS 0.63												

NEW PRODUCT

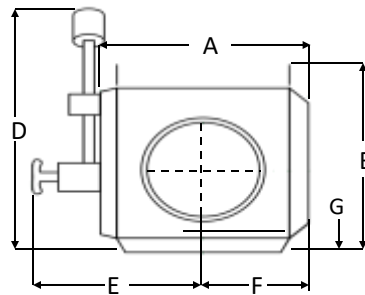
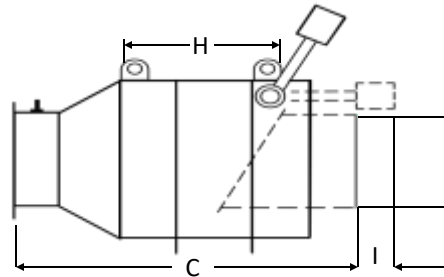


PART NO. EM-NRV00

ATEX Certified

No Return Valve

- ATEX Certified
- Used to eliminate blast "front" from returning to the building.
- Protects workers and facilities from the damaging effect of a baghouse or filter explosion.
- Flanged inlet and outlet with co-flanges
- Inspection/access door
- Grounding lug
- Locking mechanism
- Please call for spark detection system pricing and information



ATEX POLYFLEX 30



See pages 10 & 19

ATEX Certified

NRV ACCESSORIES

With the following options the NRV is 100% NFPA 69-2014 Compliant:		PRICE
EM-NRV-MS:	Micro-switch for system shut down	CALL
EM-NRV-DLS:	Dust level sensor	FOR
EM-NRV-CP:	Control panel for sensor power and integration	PRICING



Dust Level Sensor



Microswitch



Control Panel - Open



PART NO. EM-NRV-CP

HIGH SPEED ABORT GATE

PART #	A	B	C	D	E	F	G	H	I	WT. LBS	PRICE
EM-HSAG08	7.9	8.7	27.1	23.7	6.4	9.4	5.1	10.2	11.0	51.0	
EM-HSAG12	11.4	11.8	31.8	30.6	9.9	13.2	5.1	13.8	14.2	89.0	
EM-HSAG18P	16.9	17.7	37.3	43.1	15.4	19.7	5.1	19.3	20.1	166.0	CALL FOR PRICING
EM-HSAG24P	21.7	22.8	43.3	54.3	20.2	25.8	5.1	24.8	26.0	265.0	
EM-HSAG28P	26.0	27.2	48.4	63.8	24.5	30.9	5.1	29.9	31.1	375.0	
EM-HSAG34P	31.1	32.3	54.1	74.7	29.6	36.7	5.1	34.1	36.2	563.0	
EM-HSAG40P	35.0	36.2	58.7	83.2	33.5	41.3	5.1	39.0	40.9	662.0	
EM-HSAG44P	39.8	40.9	64.3	93.5	38.3	46.9	5.1	44.5	45.7	805.0	
EM-HSAG50P	44.1	45.3	69.4	103.0	42.6	52.0	5.1	48.8	50.0	926.0	
FLANGED INLET/OULET - 24VDC MAGNET											

NEW PRODUCT

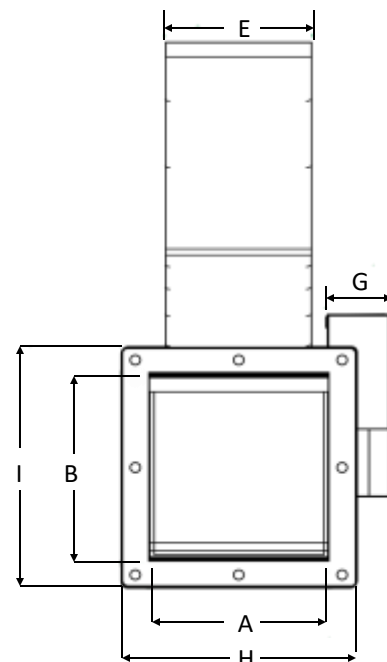
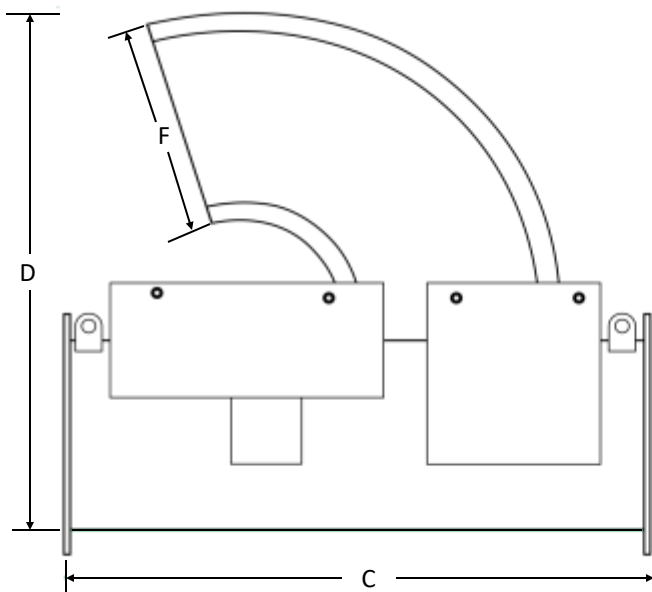
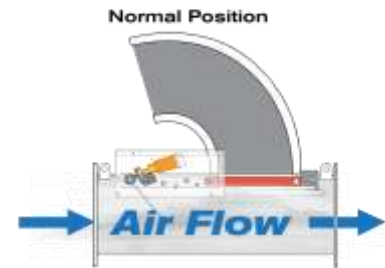
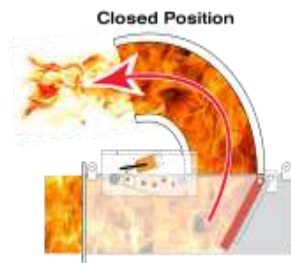


PART NO. HSAG00

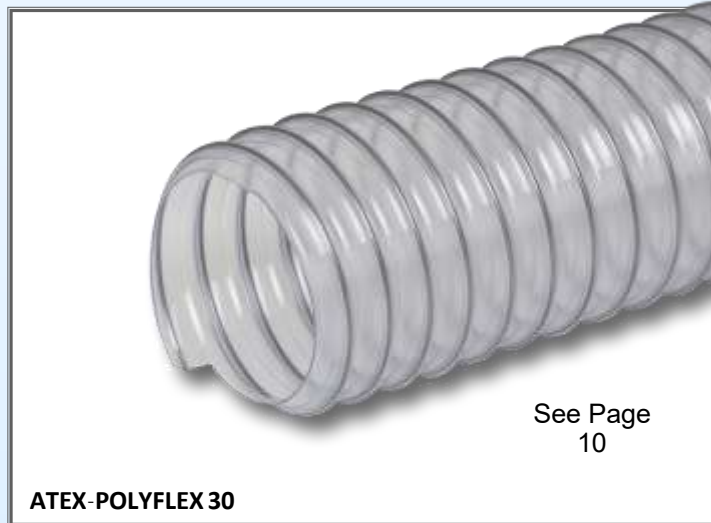
ATEX Certified

High Speed Abort Gate

- 24v control panel with status lights for connection to spark detection
- Optional Weather hood
- Manual rearm (sizes 8" - 12")
- Pneumatic rearm (sizes 18" - 50")
- Triple security protection
- Epoxy powder coated safety red finish
- Flanged inlet & outlet
- NFPA compliant with spark detection control
- Please call for spark detection system pricing and information

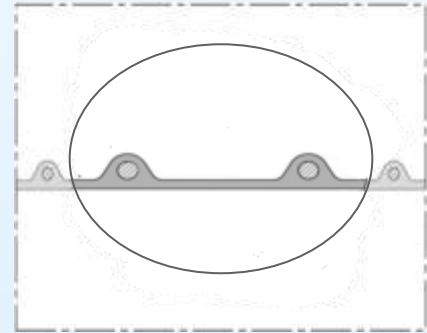


ATEX-POLYFLEX HOSE



See Page
10

ATEX-POLYFLEX 30



ATEX CERTIFIED

ATEX-POLYFLEX 30

- ATEX Certified for combustible dusts (wood dust, powders, plastics)
- Used with combustible dusts
- Static dissipative 10¹⁰ OHms/square
- Flame Resistant, UV resistant
- Highly abrasive resistant polyurethane
- Resistant to oils, gasoline, chemicals
- Flexible
- Replaces standard urethane, PVC and thermoplastic hoses
- Bronze coated spring steel wire helix
- Temp -65° F to 200° F Wall .030

APPLICATIONS

- Woodworking machinery, CNC routers
- Powders, plastic pellets
- Explosion hazardous areas
- Recommended for use in systems using Isolation Valves and Abort Dampers

BRIDGE CLAMPS

Stainless Steel bridge clamp
Recommended. Part # BC00



Bridge Clamp

Dia.	Hose Part #	List Price	35% Off
		Per Ft.	Per Ft.
2"	HATEX3002	\$11.04	\$7.70
2.5"	HATEX3002.5	\$12.86	\$8.89
3"	HATEX3003	\$12.60	\$9.01
4"	HATEX3004	\$15.89	\$11.36
5"	HATEX3005	\$19.02	\$13.60
6"	HATEX3006	\$23.48	\$16.79
7"	HATEX3007	\$24.00	\$17.16
8"	HATEX3008	\$24.30	\$17.16
10"	HATEX3010	\$33.94	\$24.27
12"	HATEX3012	\$37.58	\$26.87
14"	HATEX3014	\$47.18	\$33.74

Metric sizes available and in stock
5' increments up to 50'

ATEX-POLYFLEX 30 METRIC SIZES

DIA	PART #	PRICE /FT
60 MM/2.362"	HATEX30060MM	\$7.79
80 MM/3.149"	HATEX30080MM	\$9.23
120MM/4.724"	HATEX300120MM	\$13.39
140MM/5.511"	HATEX300140MM	\$13.71
160MM/6.299"	HATEX300160MM	\$14.25

PRICED PER FOOT

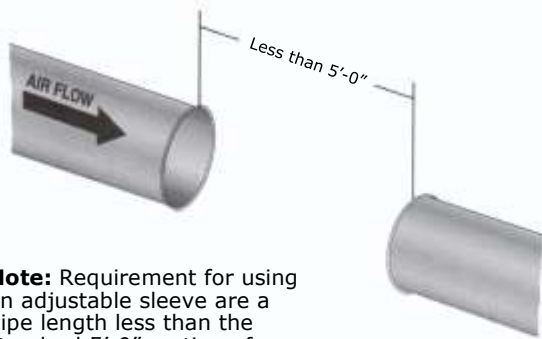
Dia.	Reg. Price
2" - 12"	See Page 10

CLAMP-TOGETHER DUCT SYSTEMS

To Order - Call 1-877-904-4022 or email sales@blastgateco.com

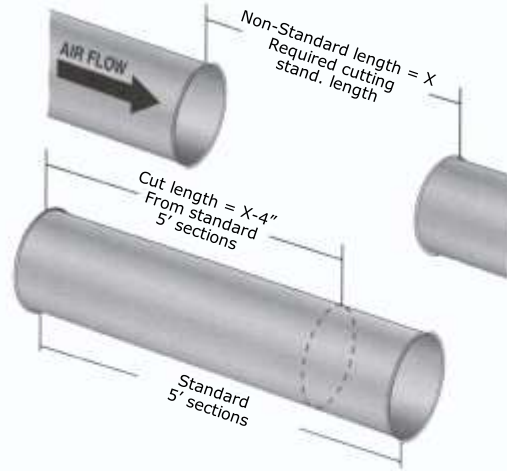
Instructions: Adjustable Sleeve w/ O-Ring

STEP #1

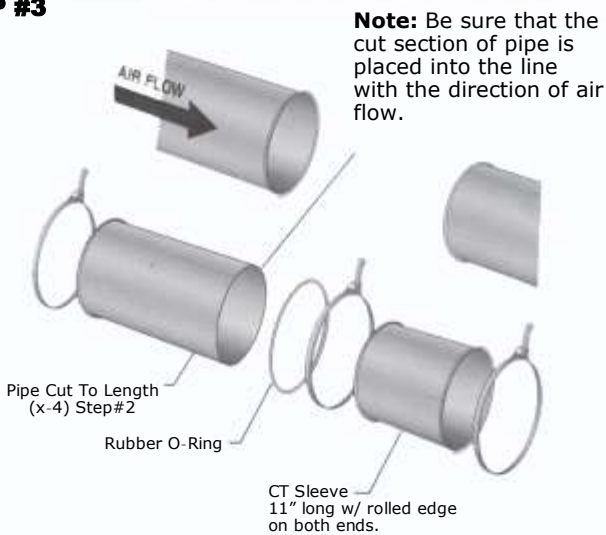


Note: Requirement for using an adjustable sleeve are a pipe length less than the standard 5'-0" section of pipe

STEP #2

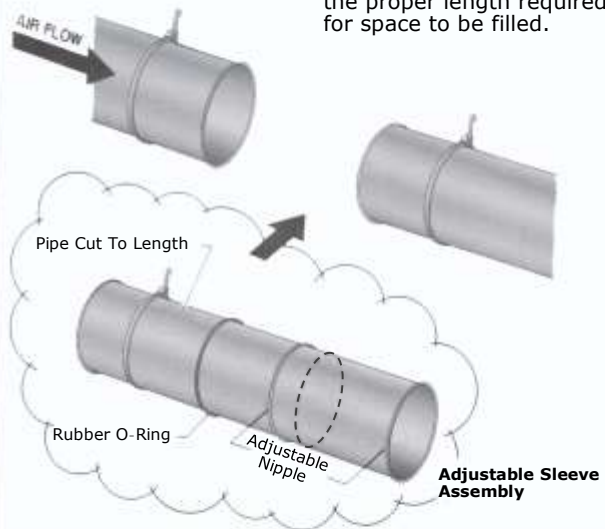


STEP #3



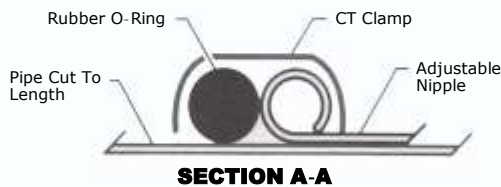
Note: Be sure that the cut section of pipe is placed into the line with the direction of air flow.

STEP #4



Note: Adjust the assembly to the proper length required for space to be filled.

STEP #5



THE BlastGate CO.

14219 EAST TEN MILE ROAD

WARREN, MI 48089-2162

1-877-904-4022 FAX: 586-776-8532

sales@blastgateco.com

